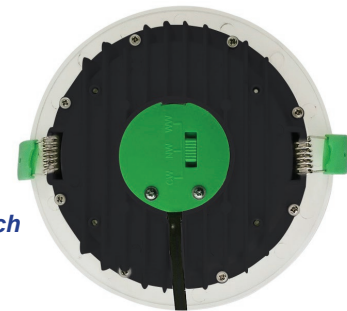


GALTRI SERIES

LED FIXED WHITE DOWNLIGHTS DIMMABLE TRI-CCT



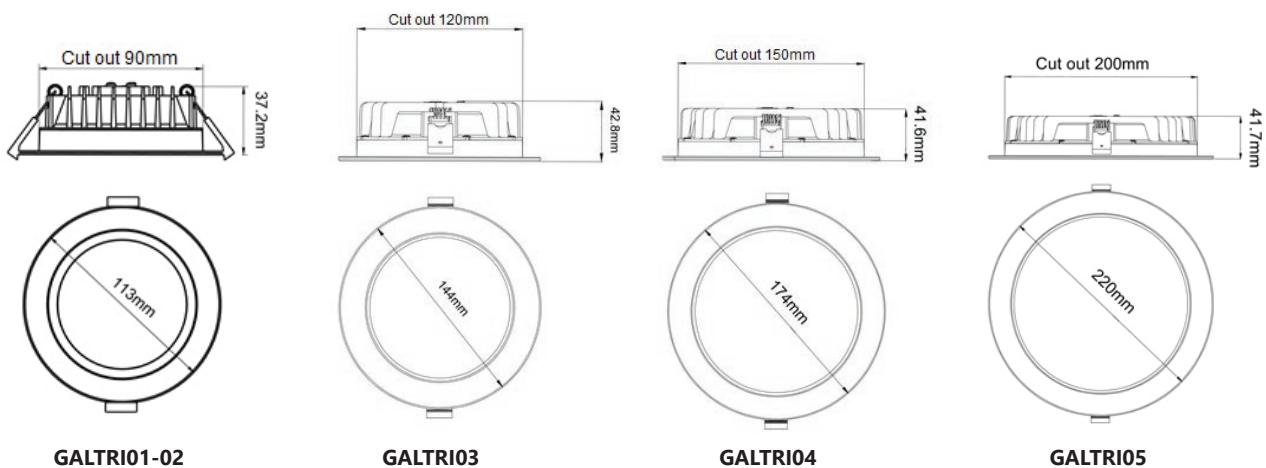
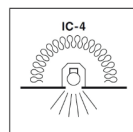
- Input voltage: 220-240V AC 50/60Hz
- Remote dimmable driver included
- Housing & heatsink: plastic & aluminium
- Frosted Diffuser: PC
- Faceplate: PBT
- Power factor: 0.9
- Colour temperature changeable: 3000K/ 4000K/ 5700K
- Rear switch
- LED chips: SMD2835
- CRI: ≥80
- Wide beam angle
- Flex & plug: 600mm
- Ambient temperature: -20 to 40°C
- Suitable for dimming
- Suitable for 2-way switching
- Not suitable for use with sensor



TRI-CCT switch on rear

Tested & Recommended Dimmers:

BRAND	PART NO.	PCS PER DIMMER
CLA	LYNX, VELA	GALTRI01: 1-10PCS GALTRI02: 1-8PCS
CLIPSAL	32E450TM, 32ELEDM	GALTRI03: 1-6PCS
HPM	CAT400T	GALTRI04: 1-5PCS
DIGINET	MEDM, MMDM/RT	GALTRI05: 1-4PCS



PART NO.	LUMENS			WATT	CRI	POWER FACTOR	DIMENSIONS	CUT OUT	WEIGHT	BOX	CARTON QTY
	3000K	4000K	5700K								
GALTRI01	700lm	850lm	750lm	10W	≥80	0.9	Ø113x37.2mm	Ø90mm	0.27kg	11.8x11.8x7.8cm	1/40
GALTRI02	850lm	1000lm	900lm	12W	≥80	0.9	Ø113x37.2mm	Ø90mm	0.27kg	11.8x11.8x7.8cm	1/40
GALTRI03	1100lm	1350lm	1200lm	15W	≥80	0.9	Ø144x42.8mm	Ø120mm	0.44kg	14.8x14.8x7.5cm	1/30
GALTRI04	1700lm	2000lm	1800lm	20W	≥80	0.9	Ø174x41.6mm	Ø150mm	0.57kg	17.8x17.8x7.2cm	1/24
GALTRI05	2250lm	2600lm	2350lm	25W	≥80	0.9	Ø220x41.7mm	Ø200mm	0.63kg	22.3x22.3x7.2cm	1/16