

SPEED CONTROLLERS SINGLE-PHASE MOTORS

TYPE - VA



The VA range is an electronic type speed-controller which provides infinite variation of fan speed from 100% down to approximately 30% of full speed.

When used to control a number of identical fans the sum of the full load amps of all the connected fans must not exceed 85% of the maximum rating of the controller. The fans should be identical.

Power consumption is reduced by up to 70%.

The motors must be designed for speed control.

Warning

Check with our Sales Department before using the VA controllers with run-on timers.

Note

To minimise electronic hum from larger PSC (Permanent Split Capacitor) motors, a constant active is connected to the start winding via the capacitor and the run winding is regulated by the speed controller. (4 wire connection)

A PSC motor is sometimes referred to as a Capacitor Run motor.

TECHNICAL DATA

Model Number	Max. Amps	On/Off Switch	Mounting	LED Power Light	Dimensions, mm
VA2.0POT**	2.0	No	Bracket	No	25W × 30H × 50D
VA2.0	2.0	Yes	Recess	No	70W × 114H × 36D
VA2.8	2.8	Yes	Recess	Yes	70W × 114H × 36D
VA5.0	5.0	Yes	Recess	No	70W × 114H × 51D
VA8.0	8.0	Yes	Recess	Yes	70W × 114H × 51D

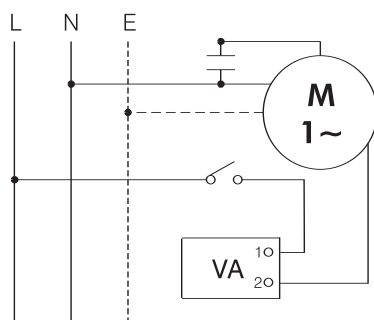
Enclosure rating - IP00

** The VA2.0POT unit is designed to be mounted within equipment or enclosures; e.g. HB12E Fan Header Boxes, as well as Mixvent Series duct mounted fans. It will not fit in a standard wall plate.

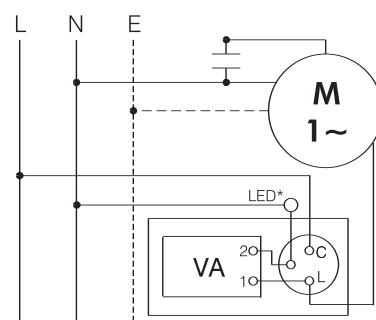
The VA range, being triac-type controllers, can cause an electronic hum particularly at low speeds.

The VA range is generally suitable for use with any speed-controllable single-phase motors. Ensure the motor amperage does not exceed the rating of the controller.

WIRING DIAGRAMS

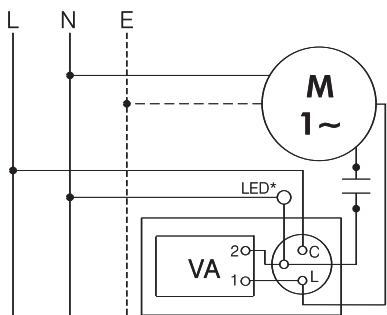


VA2.0POT

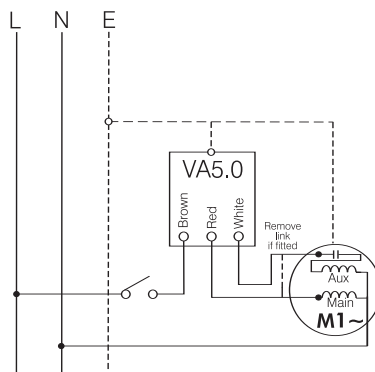


VA2.0 & VA2.8
for 3 wire connection

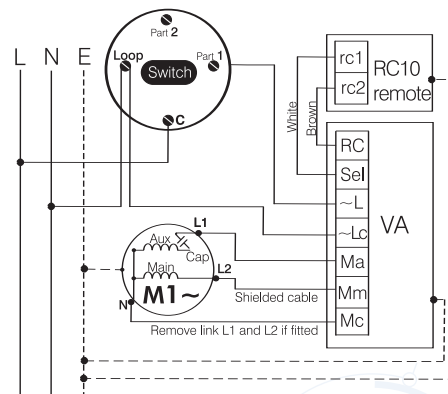
* LED on VA2.8 only



VA2.0 & VA2.8
for 4 wire connection



VA5.0



VA8.0