

EXIT-SM-24M Emergency Exit Sign



Description

The EXIT Series Recessed and Surface Mounted LED Emergency Exit Light features LED technology providing an energy efficient light source with high output, which is ideal for a range of emergency lighting applications. Detailed design offers a quick release for decal installation as well as fast fit mounting design. Complete with 3.5W LED, suitable for 24M viewing distance. Available in White and Black colour options. Single and double sided decals included. High quality Lithium battery, with easy replacement function. Ideal for commercial interior applications such as apartment complexes, shopping centres, offices and hospitality applications.



Specification Features

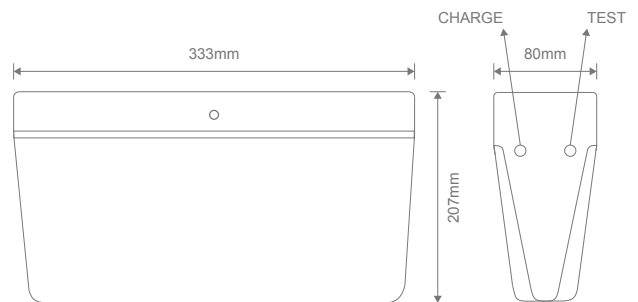
Input Voltage:	240V AC
Power (W):	3.5W
IP rating (IP):	IP20*
Frequency:	50Hz
Ambient Temp:	0-40° C
Viewing Distance:	24m
Applications:	Wall, ceiling or suspended
Lumens:	80lm
CCT:	6000K
LED Type:	SMD2835
Lifespan:	53,000 Hrs
Duration:	2Hrs
Battery Type:	LiFePO4
Battery Voltage:	3.2V
Battery Capacity:	1800mAh
Charging Time:	24hrs
Certifications:	AS/NZS 60598-1 AS/NZS 60598-2-22 AS/NZS2293 Compliant AS CISPR 15

Maintained: Exit sign is illuminated in normal and emergency operation

Non-Maintained: Exit sign is illuminated in emergency operation only

* IP65 Weatherproof Case available (not included)

Diagrams / Additional



ESCAPE
Emergency Systems

Item No.	Variant	
	Wht	Blk
EXIT-SM-24M	66101	66100