

Last modification 2022-11-25

ESRA WB-BK
9329501049792



Overview

Family name	Esra
Categories	Wall Lights
Mounting	Surface
Switch	Yes
Usage	Indoor Lighting,Trade Selection

Color / Material

Fixture Color	Black
Fixture Material	Metal
Canopy Color	Black

Size

Fixture Diameter (cm)	14.0
Fixture Height (cm)	3.5

Specification

Voltage Input	240V
Wattage (max)	4
Globe Type	LED integrated SMD
Globe / Light Source qty	1
Globe / Light Source included	Yes
Lumens	300
Color Temperature	Warm White
Color Kelvin	3000k
Color Rendering	>82
Dimmable	No
Current Output	300
Electrical Protection	CLASS I - HIGH VOLTAGE, EARTH REQUIRED
IP rating	IP20
Lead and Plug	No
Approvals	RCM
Box Contents	Basic mounting screws,Instruction

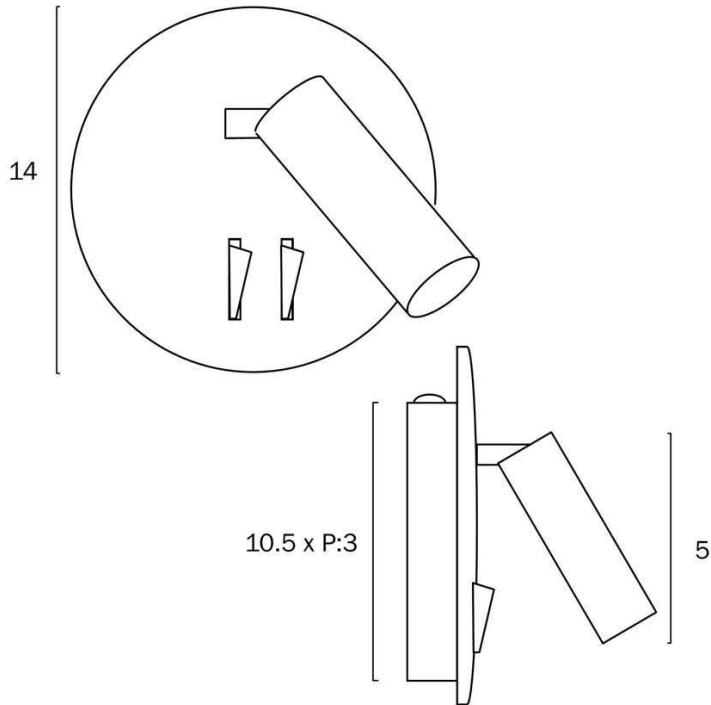
All representations within this document are subject to copyright. ELECTRICAL INSTALLATIONS MUST BE PERFORMED BY A QUALIFIED ELECTRICAL CONTRACTOR AND INSTALLED IN ACCORDANCE WITH AS/NZS 3000.
NOTE : All images , descriptions and dimensions are indicative. Please check latest version of item detail on Telbix website prior to ordering or installation.

Installation Required	Yes (by Licensed Electrician only)
Care Instructions	Do not use strong liquid cleaners,Wipe clean with a dry cloth
Replacement Warranty	*3 Years

Barcode

GTIN 9329501049792

Image -dimensions



Note: Dimensions are only a guide and may vary due to manufacturing variations.



Last modification

2022-11-25

ESRA WB-SL 9329501049808



Overview

Family name	Esra
Categories	Wall Lights
Mounting	Surface
Switch	Yes
Usage	Indoor Lighting,Trade Selection

Color / Material

Fixture Color	Silver
Fixture Material	Metal
Canopy Color	Silver

Size

Fixture Diameter (cm)	14.0
Fixture Height (cm)	3.5

Specification

Voltage Input	240V
Wattage (max)	4
Globe Type	LED integrated SMD
Globe / Light Source qty	1
Globe / Light Source included	Yes
Lumens	300
Color Temperature	Warm White
Color Kelvin	3000k
Color Rendering	>82
Dimmable	No
Current Output	300
Electrical Protection	CLASS I - HIGH VOLTAGE, EARTH REQUIRED
IP rating	IP20
Lead and Plug	No
Approvals	RCM
Box Contents	Basic mounting screws,Instruction

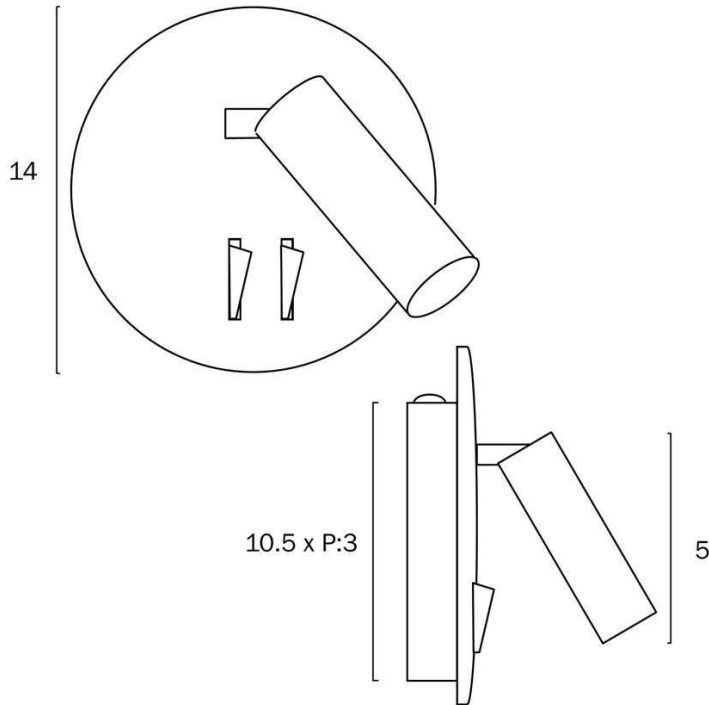
All representations within this document are subject to copyright. ELECTRICAL INSTALLATIONS MUST BE PERFORMED BY A QUALIFIED ELECTRICAL CONTRACTOR AND INSTALLED IN ACCORDANCE WITH AS/NZS 3000.
NOTE : All images , descriptions and dimensions are indicative. Please check latest version of item detail on Telbix website prior to ordering or installation.

Installation Required	Yes (by Licensed Electrician only)
Care Instructions	Do not use strong liquid cleaners,Wipe clean with a dry cloth
Replacement Warranty	*3 Years

Barcode

GTIN 9329501049808

Image -dimensions



Note: Dimensions are only a guide and may vary due to manufacturing variations.





Last modification

2022-11-25

ESRA WB-WH
9329501049815



Overview

Family name	Esra
Categories	Wall Lights
Mounting	Surface
Switch	Yes
Usage	Indoor Lighting,Trade Selection

Color / Material

Fixture Color	White
Fixture Material	Metal
Canopy Color	White

Size

Fixture Diameter (cm)	14.0
Fixture Height (cm)	3.5

Specification

Voltage Input	240V
Wattage (max)	4
Globe Type	LED integrated SMD
Globe / Light Source qty	1
Globe / Light Source included	Yes
Lumens	300
Color Temperature	Warm White
Color Kelvin	3000k
Color Rendering	>82
Dimmable	No
Current Output	300
Electrical Protection	CLASS I - HIGH VOLTAGE, EARTH REQUIRED
IP rating	IP20
Lead and Plug	No
Approvals	RCM
Box Contents	Basic mounting screws,Instruction

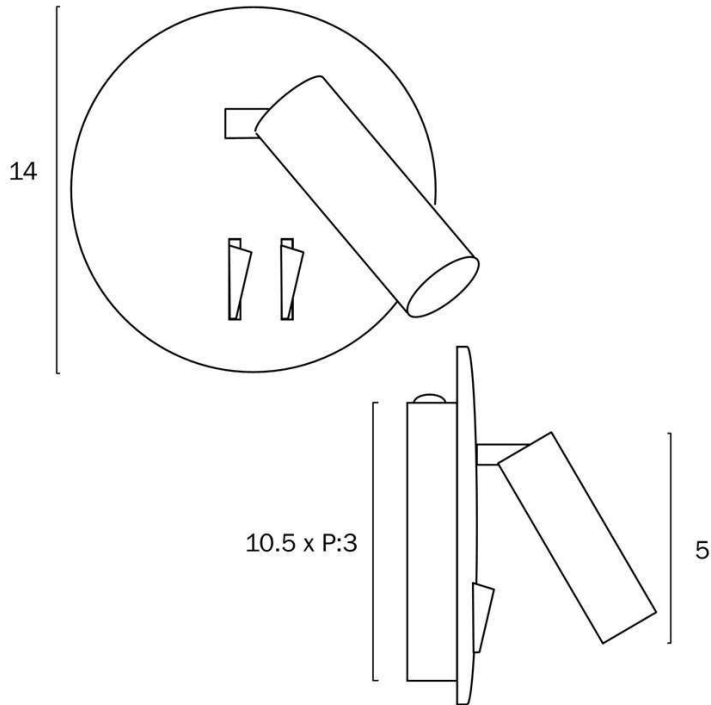
All representations within this document are subject to copyright. ELECTRICAL INSTALLATIONS MUST BE PERFORMED BY A QUALIFIED ELECTRICAL CONTRACTOR AND INSTALLED IN ACCORDANCE WITH AS/NZS 3000.
NOTE : All images , descriptions and dimensions are indicative. Please check latest version of item detail on Telbix website prior to ordering or installation.

Installation Required	Yes (by Licensed Electrician only)
Care Instructions	Do not use strong liquid cleaners,Wipe clean with a dry cloth
Replacement Warranty	*3 Years

Barcode

GTIN 9329501049815

Image -dimensions



Note: Dimensions are only a guide and may vary due to manufacturing variations.

