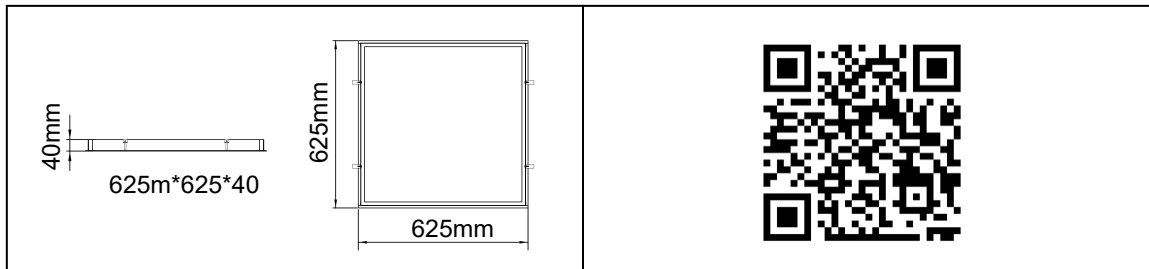


SUMMARY

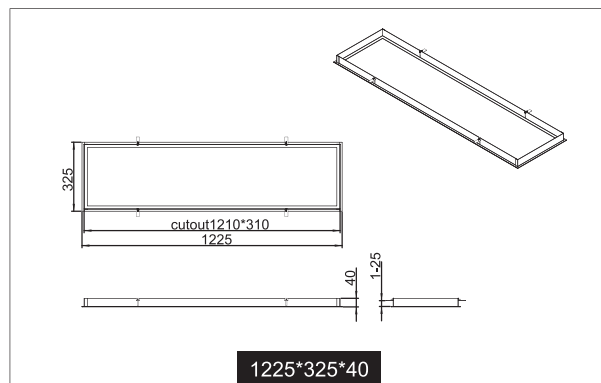
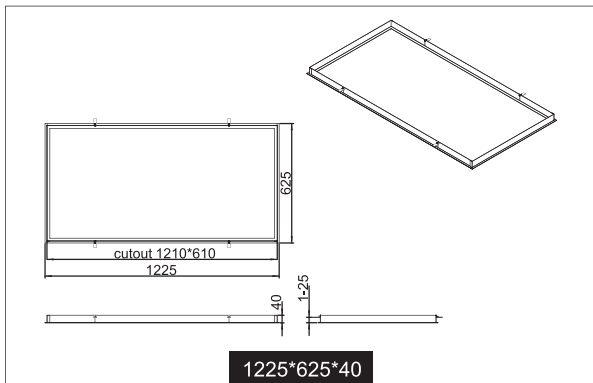
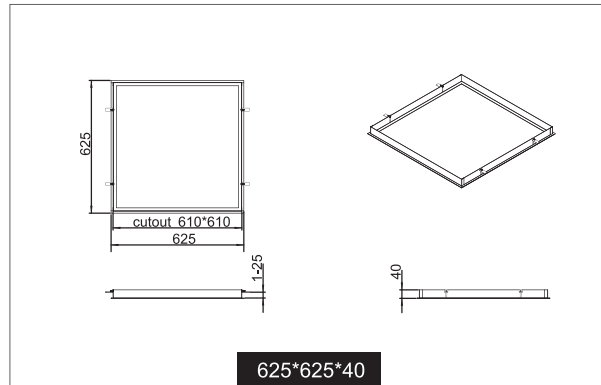
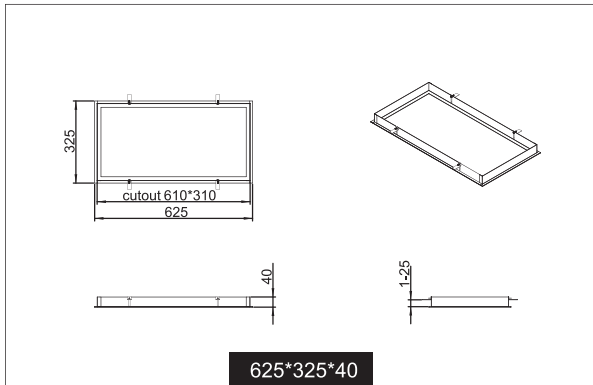
Specially designed to accommodate Energetic LED panels, this frame offers an alternative mounting solution to suit individual preferences and application requirements. Built to last, they're incredibly sturdy but also light in weight for easy handling and installation.



PRODUCT DATA

Order Code	302006		
To Suit Size of LED Panel	L(mm) 590-600	W(mm) 590-596	H(mm) N/A
Compatibility	Destiny Plus: 221010, 221001, 223344, 223304. Destiny: 223644		
Net Weight (kg)	0.70		
Warranty	5 years		





Plaster Frame

- Designed for use with Energetic Destiny LED Panels
- Frame can be installed in plaster ceilings
- White powder coated finish
- Panel retaining plug included

Part No.	Model No.	To Suit Size of LED Panel			Size L×W×H(mm)	Cut out L×W (mm)	Net Weight (kg)
		Length(mm)	Width(mm)	Height(mm)			
302005	YKA4PL R60×30	590-600	290-296	N/A	625×325×40	610×310	1.08
302006	YKA4PL R60×60	590-600	590-596	N/A	625×625×40	610×610	1.44
302007	YKA4PL R120×30	1190-1200	290-296	N/A	1225×325×40	1210×310	1.80



SUMMARY

Specially designed to accommodate Energetic LED panels, this frame offers an alternative mounting solution to suit individual preferences and application requirements. Built to last, they're incredibly sturdy but also light in weight for easy handling and installation.



--	--

PRODUCT DATA

Order Code	302007		
To Suit Size of LED Panel	L(mm) 1190-1200	W(mm) 290-296	H(mm) N/A
Compatibility	Destiny Pro: 223694 Destiny Plus: 221008, 221002, 223354, 223314. Destiny: 223654 Baklite: 223574, 223575.		
Net Weight (kg)	0.90		
Warranty	5 years		

