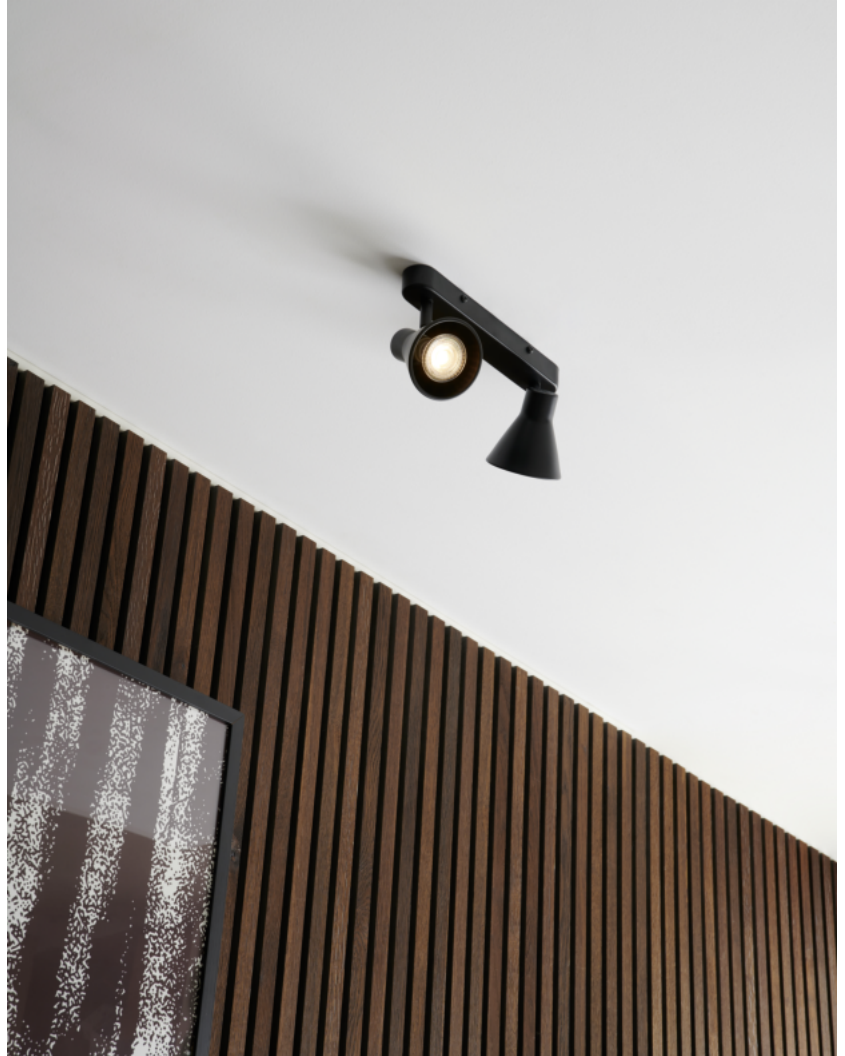
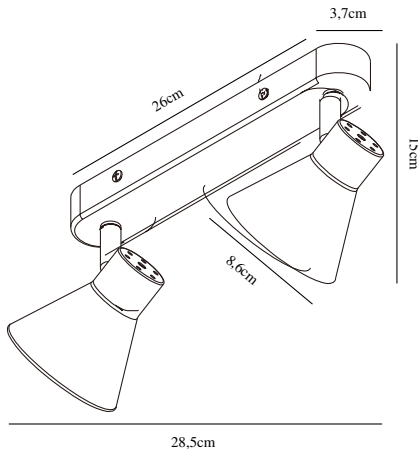


EIK 2 | SPOT LIGHT | BLACK

45770103

nordlux®



Voltage (V): 220-240 Volt
IP degree: IP20
Maximum bulb wattage (W):
2X35W
Class (Class 1, Class 2, Class 3):
Class 1 (Earth contact)
Bulb base: GU10
Parallel connection: False

Height (cm): 15
Width (cm): 28.5
Shade Diameter (cm): 8.5
Length (cm): 28.5
Tilt Angle (°): 90
Turning Angle (°): 320

Pcs Per Master Carton: 3
Sales Box Height (cm): 27.5
Sales Box Width(cm): 14
Sales Box Depth (cm): 10
Sales Box Volume m³ : 0.0038
Product net weight (kg): 0.49

Primary material: Metal
Color: Black

EAN: 5704924011481
TUN: 2276937
Item Number: 45770103

• Contemporary and simple style • Tilting and turnable shade

Eik has a simple, contemporary style that will fit into most interior designs. The lamp rail has tiltable and turnable shades for a directional light - perfect to put spotlight on selected details in your interior whether you choose to mount it on wall or ceiling.



Projection (cm): 15
28.5
Shade diameter (cm): 8.6
Wall box (cm): 26,0 x 3,7

Eik


Item number: 45770101 White
EAN: 5701581369689

Packaging unit 3
Material: Metal
IP20, Class 1 (Earth contact), 230V
GU10, Max. 35W, Light source not included


Area: Indoor
Energy class A++ - D

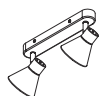
Eik-serien er yderst dekorativ i sin enkelthed. Skærmens facon skaber en behagelig lysflade, som giver et behageligt og smukt lysskær.

nordlux® 45770101

 This luminaire is compatible with bulbs of the energy classes:

A++
A+
A
B
C
D
E

874/2012 



Projection (cm): 15
28,5
Shade diameter (cm): 8,6
Wall box (cm): 26 x 3,7

Eik

Item number: 45770110 Grey
EAN: 5701581369788

Packaging unit 3
Material: Metal
IP20, Class 1 (Earth contact), 230V
GU10, Max. 35W, Light source not included

Area: Indoor
Energy class A++ - D

Eik-serien er yderst dekorativ i sin enkelthed. Skærmens facon skaber en behagelig lysflade, som giver et behageligt og smukt lysskær.

nordlux® 45770110

This luminaire is compatible with bulbs of the energy classes:

A++

A+

A

B

C

D

E

}

874/2012