

Dusk Path 450 Small 450mm LED Path Light



Description

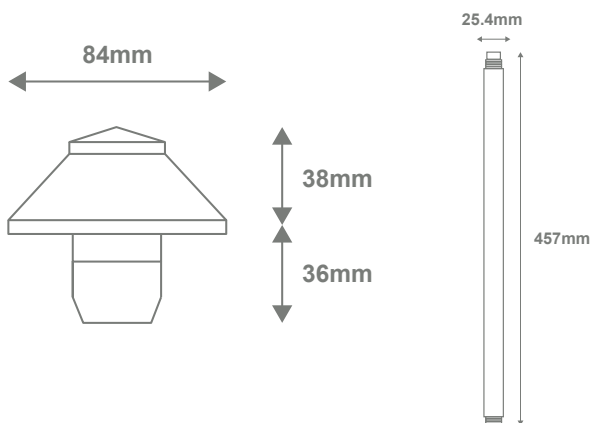
The DUSK-PATH Series Garden Spike Light offers a durable weatherproof solution to lighting up low level shrubs, plants and pathways where ambient lighting is required. Constructed from Solid Brass, and finished in a Bronze or Black finish. Complete with 4W Tri-Colour LED Bi-Pin G5.3 12V DC lamp. Choose from 3000K Warm White, 4000K Neutral White or 5000K White colour temperature options. Available in Two Post height options: 457mm and 610mm, as well as the choice of small, medium and large mushroom head sizes, allowing for the perfect look for your garden bed or pathway. Requires a 12V DC Constant Voltage LED Driver. Backed by a 5 Year Warranty.

Specification Features

| | |
|-----------------|--|
| Input Voltage: | 12V DC |
| Power (W): | 4W |
| IP rating (IP): | IP65 |
| Lumens (lm): | Warm White 3000K - 330lm Neutral White 4000K - 350lm White 5000K - 330lm |
| LED type: | SMD Tri-Colour |
| CCT: | 3000K - 4000K - 5000K (Switchable) |
| CRI: | ≥90 |
| Beam angle (°): | 90° |
| Dimmable: | No |
| Lifespan (hrs): | 50,000hrs |
| Cable Length: | 2 Metres |

Requires: 12V DC Driver Constant Voltage LED Driver (Wire in Parallel)

Diagrams / Additional



| Item No. | Variant | | CCT |
|-----------------|---------|-------|------|
| | Bronze | Black | |
| DUSK-PATH-450-S | 19100 | 19108 | TRIO |

Dusk Path 610 Small 610mm LED Path Light



Description

The DUSK-PATH Series Garden Spike Light offers a durable weatherproof solution to lighting up low level shrubs, plants and pathways where ambient lighting is required. Constructed from Solid Brass, and finished in a Bronze or Black finish. Complete with 4W Tri-Colour LED Bi-Pin G5.3 12V DC lamp. Choose from 3000K Warm White, 4000K Neutral White or 5000K White colour temperature options. Available in Two Post height options: 457mm and 610mm, as well as the choice of small, medium and large mushroom head sizes, allowing for the perfect look for your garden bed or pathway. Requires a 12V DC Constant Voltage LED Driver. Backed by a 5 Year Warranty.

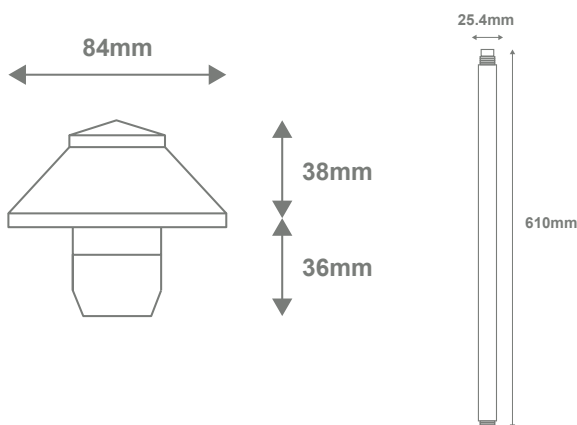


Specification Features

- Input Voltage: 12V DC
- Power (W): 4W
- IP rating (IP): IP65
- Lumens (lm): Warm White 3000K - 330 lm
Neutral White 4000K - 350 lm
White 5000K - 330 lm
- LED type: SMD Tri-Colour
- CCT: 3000K - 4000K - 5000K (Switchable)
- CRI: ≥90
- Beam angle (°): 90°
- Dimmable: No
- Lifespan (hrs): 50,000hrs
- Cable Length: 2 Metres

Requires: 12V DC Constant Voltage LED Driver (Wire in Parallel)

Diagrams / Additional



| Item No. | Variant | | CCT |
|-----------------|---------|-------|------|
| | Bronze | Black | |
| DUSK-PATH-610-S | 19104 | 19112 | TRIO |