

Dusk Path 450 Medium 450mm LED Path Light



Description

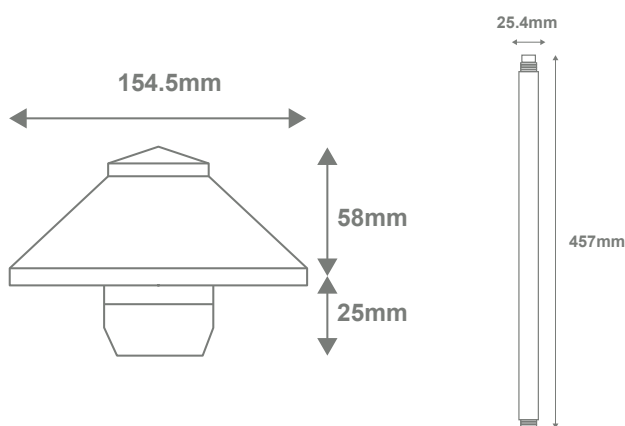
The DUSK-PATH Series Garden Spike Light offers a durable weatherproof solution to lighting up low level shrubs, plants and pathways where ambient lighting is required. Constructed from Solid Brass, and finished in a Bronze or Black finish. Complete with 4W Tri-Colour LED Bi-Pin G5.3 12V DC lamp. Choose from 3000K Warm White, 4000K Neutral White or 5000K White colour temperature options. Available in Two Post height options: 457mm and 610mm, as well as the choice of small, medium and large mushroom head sizes, allowing for the perfect look for your garden bed or pathway. Requires a 12V DC Constant Voltage LED Driver. Backed by a 5 Year Warranty.

Specification Features

Input Voltage:	12V DC
Power (W):	4W
IP rating (IP):	IP65
Lumens (lm):	Warm White 3000K - 330lm Neutral White 4000K - 350lm White 5000K - 330lm
LED type:	SMD Tri-Colour
CCT:	3000K - 4000K - 5000K (Switchable)
CRI:	≥90
Beam angle (°):	90°
Dimmable:	No
Lifespan (hrs):	50,000hrs
Cable Length:	2 Metres

Requires: 12V DC Constant Voltage LED Driver (Wire in Parallel)

Diagrams / Additional



Item No.	Variant		CCT
	Bronze	Black	
DUSK-PATH-450-M	19101	19109	TRIO

Dusk Path 610 Medium 610mm LED Path Light



Description

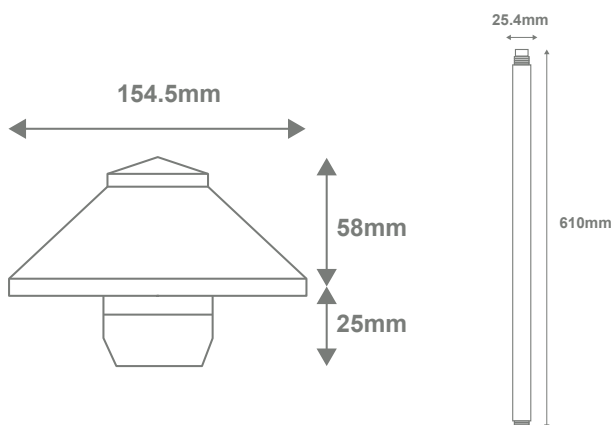
The DUSK-PATH Series Garden Spike Light offers a durable weatherproof solution to lighting up low level shrubs, plants and pathways where ambient lighting is required. Constructed from Solid Brass, and finished in a Bronze or Black finish. Complete with 4W Tri-Colour LED Bi-Pin G5.3 12V DC lamp. Choose from 3000K Warm White, 4000K Neutral White or 5000K White colour temperature options. Available in Two Post height options: 457mm and 610mm, as well as the choice of small, medium and large mushroom head sizes, allowing for the perfect look for your garden bed or pathway. Requires a 12V DC Constant Voltage LED Driver. Backed by a 5 Year Warranty.

Specification Features

Input Voltage:	12V DC
Power (W):	4W
IP rating (IP):	IP65
Lumens (lm):	Warm White 3000K - 330lm Neutral White 4000K - 350lm White 5000K - 330lm
LED type:	SMD Tri-Colour
CCT:	3000K - 4000K - 5000K (Switchable)
CRI:	≥90
Beam angle (°):	90°
Dimmable:	No
Lifespan (hrs):	50,000hrs
Cable Length:	2 Metres

Requires: 12V DC Constant Voltage LED Driver (Wire in Parallel)

Diagrams / Additional



Item No.	Variant		CCT
	Bronze	Black	
DUSK-PATH-610-M	19105	19113	TRIO