

Last modification 2023-04-09

**DOMINO OY380-S85**  
**9329501048733**



## Overview

<b>Family name</b>	Domino
<b>Categories</b>	Oysters
<b>Mounting</b>	Surface
<b>This item includes</b>	Diffuser
<b>Usage</b>	Indoor Lighting, Trade Selection

## Color / Material

<b>Fixture Color</b>	Silver, Frost
<b>Fixture Material</b>	Metal, Polycarbonate
<b>Canopy Color</b>	White
<b>Shade Material</b>	Plastic
<b>Diffuser Color</b>	Opal
<b>Diffuser Material</b>	Polycarbonate

## Size

<b>Fixture Diameter (cm)</b>	38.0
<b>Fixture Height (cm)</b>	7.0
<b>Fixture Projection (cm)</b>	7.0
<b>Canopy Diameter (cm)</b>	34.5
<b>Canopy Projection (cm)</b>	2.7
<b>Diffuser Diameter (cm)</b>	38.0

## Specification

<b>Voltage Input</b>	240V
<b>Wattage (max)</b>	24
<b>Globe Type</b>	LED integrated SMD
<b>Globe / Light Source qty</b>	1
<b>Globe / Light Source included</b>	Yes
<b>Lumens</b>	2000
<b>Color Temperature</b>	Cool White
<b>Color Kelvin</b>	5000k
<b>Color Rendering</b>	>82

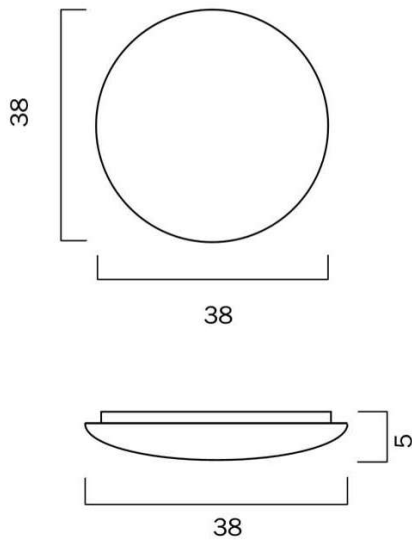
All representations within this document are subject to copyright. ELECTRICAL INSTALLATIONS MUST BE PERFORMED BY A QUALIFIED ELECTRICAL CONTRACTOR AND INSTALLED IN ACCORDANCE WITH AS/NZS 3000.  
NOTE : All images , descriptions and dimensions are indicative. Please check latest version of item detail on Telbix website prior to ordering or installation.

<b>Dimmable</b>	No
<b>Power Factor</b>	>0.90
<b>Surge Protection</b>	Yes (1.5 Kva)
<b>Current Output</b>	200
<b>Electrical Protection</b>	CLASS I - HIGH VOLTAGE, EARTH REQUIRED
<b>IP rating</b>	IP20
<b>Lead and Plug</b>	No
<b>Approvals</b>	RCM
<b>Assembly Required</b>	No
<b>Box Contents</b>	Basic mounting screws, Instruction
<b>Installation Required</b>	Yes (by Licensed Electrician only)
<b>Care Instructions</b>	Do not use strong liquid cleaners, Wipe clean with a dry cloth
<b>Replacement Warranty</b>	*Clearance item 1 year warranty

## Barcode

**GTIN** 9329501048733

## Image -dimensions





Last modification 2023-04-09

**DOMINO OY380-W85**  
**9329501048740**



## Overview

<b>Family name</b>	Domino
<b>Categories</b>	Oysters
<b>Mounting</b>	Surface
<b>This item includes</b>	Diffuser
<b>Usage</b>	Indoor Lighting, Trade Selection

## Color / Material

<b>Fixture Color</b>	Frost, White
<b>Fixture Material</b>	Metal, Polycarbonate
<b>Canopy Color</b>	White
<b>Shade Material</b>	Plastic
<b>Diffuser Color</b>	Opal
<b>Diffuser Material</b>	Polycarbonate

## Size

<b>Fixture Diameter (cm)</b>	38.0
<b>Fixture Height (cm)</b>	7.0
<b>Fixture Projection (cm)</b>	7.0
<b>Canopy Diameter (cm)</b>	34.5
<b>Canopy Projection (cm)</b>	2.7
<b>Diffuser Diameter (cm)</b>	38.0

## Specification

<b>Voltage Input</b>	240V
<b>Wattage (max)</b>	24
<b>Globe Type</b>	LED integrated SMD
<b>Globe / Light Source qty</b>	1
<b>Globe / Light Source included</b>	Yes
<b>Lumens</b>	2000
<b>Color Temperature</b>	Cool White
<b>Color Kelvin</b>	5000k
<b>Color Rendering</b>	>82

All representations within this document are subject to copyright. ELECTRICAL INSTALLATIONS MUST BE PERFORMED BY A QUALIFIED ELECTRICAL CONTRACTOR AND INSTALLED IN ACCORDANCE WITH AS/NZS 3000.  
NOTE : All images , descriptions and dimensions are indicative. Please check latest version of item detail on Telbix website prior to ordering or installation.

<b>Dimmable</b>	No
<b>Power Factor</b>	>0.90
<b>Surge Protection</b>	Yes (1.5 Kva)
<b>Current Output</b>	200
<b>Electrical Protection</b>	CLASS I - HIGH VOLTAGE, EARTH REQUIRED
<b>IP rating</b>	IP20
<b>Lead and Plug</b>	No
<b>Approvals</b>	RCM
<b>Assembly Required</b>	No
<b>Box Contents</b>	Basic mounting screws, Instruction
<b>Installation Required</b>	Yes (by Licensed Electrician only)
<b>Care Instructions</b>	Do not use strong liquid cleaners, Wipe clean with a dry cloth
<b>Replacement Warranty</b>	*Clearance item 1 year warranty

## Barcode

**GTIN** 9329501048740

## Image -dimensions

