

Last modification

2023-09-17

DELFINO EX-SL 9329501063514



The Delfino exterior wall lamp emits an appealing glow through its frosted glass. Based on classical Spanish design, the decorative aluminium castings provide that vintage look for your outdoor space. Available in 4 colours.

Overview

Family name	Delfino
Categories	Coach Lights
Mounting	Surface
This item includes	Glass
Usage	Outdoor Lighting

Color / Material

Fixture Color	Silver, Frost
Fixture Finish	Brushed
Fixture Material	Aluminium, Glass
Canopy Color	Silver
Diffuser Material	Glass
Glass Color	Frost

Size

Fixture Height (cm)	40.5
Fixture Projection (cm)	24.0

Specification

Voltage Input	240V
Total Wattage (max)	25
Globe Type	E27
Globe / Light Source qty	1
Globe / Light Source included	No
Dimmable	Globe Dependant
Electrical Protection	CLASS I - HIGH VOLTAGE, EARTH REQUIRED
IP rating	IP44
Lead and Plug	No

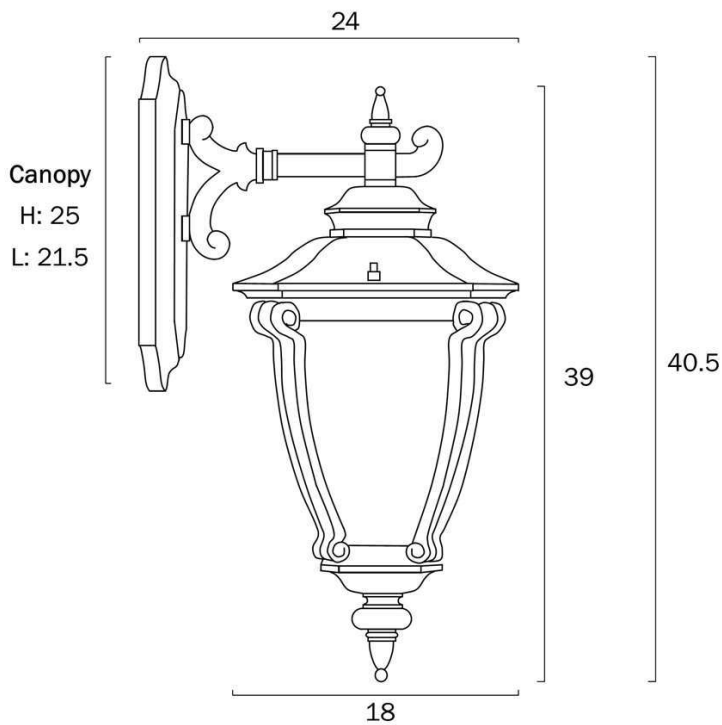
All representations within this document are subject to copyright. ELECTRICAL INSTALLATIONS MUST BE PERFORMED BY A QUALIFIED ELECTRICAL CONTRACTOR AND INSTALLED IN ACCORDANCE WITH AS/NZS 3000.
NOTE : All images , descriptions and dimensions are indicative. Please check latest version of item detail on Telbix website prior to ordering or installation.

Approvals	RCM
Box Contents	Basic mounting screws, Instruction
Installation Required	Yes (by Licensed Electrician only)
Care Instructions	Do not use strong liquid cleaners, Wipe clean with a dry cloth
Replacement Warranty	*3 Years

Barcode

GTIN 9329501063514

Image -dimensions



Note: Dimensions are only a guide and may vary due to manufacturing variations.





Last modification 2023-09-17

DELFINO EX-GD 9329501063507



The Delfino exterior wall lamp emits an appealing glow through its frosted glass. Based on classical Spanish design, the decorative aluminium castings provide that vintage look for your outdoor space. Available in 4 colours.

Overview

Family name	Delfino
Categories	Coach Lights
Mounting	Surface
This item includes	Glass
Usage	Outdoor Lighting

Color / Material

Fixture Color	Gold, Frost
Fixture Finish	Brushed
Fixture Material	Aluminium, Glass
Canopy Color	Gold
Diffuser Material	Glass
Glass Color	Frost

Size

Fixture Height (cm)	40.5
Fixture Projection (cm)	24.0

Specification

Voltage Input	240V
Total Wattage (max)	25
Globe Type	E27
Globe / Light Source qty	1
Globe / Light Source included	No
Dimmable	Globe Dependant
Electrical Protection	CLASS I - HIGH VOLTAGE, EARTH REQUIRED
IP rating	IP44
Lead and Plug	No

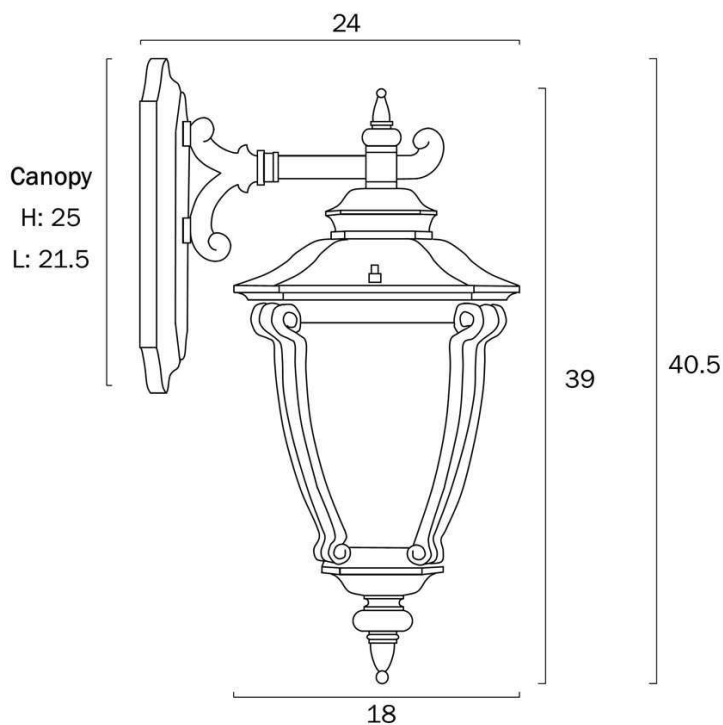
All representations within this document are subject to copyright. ELECTRICAL INSTALLATIONS MUST BE PERFORMED BY A QUALIFIED ELECTRICAL CONTRACTOR AND INSTALLED IN ACCORDANCE WITH AS/NZS 3000.
NOTE : All images , descriptions and dimensions are indicative. Please check latest version of item detail on Telbix website prior to ordering or installation.

Approvals	RCM
Box Contents	Basic mounting screws, Instruction
Installation Required	Yes (by Licensed Electrician only)
Care Instructions	Do not use strong liquid cleaners, Wipe clean with a dry cloth
Replacement Warranty	*3 Years

Barcode

GTIN 9329501063507

Image -dimensions



Note: Dimensions are only a guide and may vary due to manufacturing variations.





Last modification 2023-09-17

DELFINO EX-BZ 9329501063491



The Delfino exterior wall lamp emits an appealing glow through its frosted glass. Based on classical Spanish design, the decorative aluminium castings provide that vintage look for your outdoor space. Available in 4 colours.

Overview

Family name	Delfino
Categories	Coach Lights
Mounting	Surface
This item includes	Glass
Usage	Outdoor Lighting

Color / Material

Fixture Color	Bronze, Frost
Fixture Finish	Brushed
Fixture Material	Aluminium, Glass
Canopy Color	Bronze
Diffuser Material	Glass
Glass Color	Frost

Size

Fixture Height (cm)	40.5
Fixture Projection (cm)	24.0

Specification

Voltage Input	240V
Total Wattage (max)	25
Globe Type	E27
Globe / Light Source qty	1
Globe / Light Source included	No
Dimmable	Globe Dependant
Electrical Protection	CLASS I - HIGH VOLTAGE, EARTH REQUIRED
IP rating	IP44
Lead and Plug	No

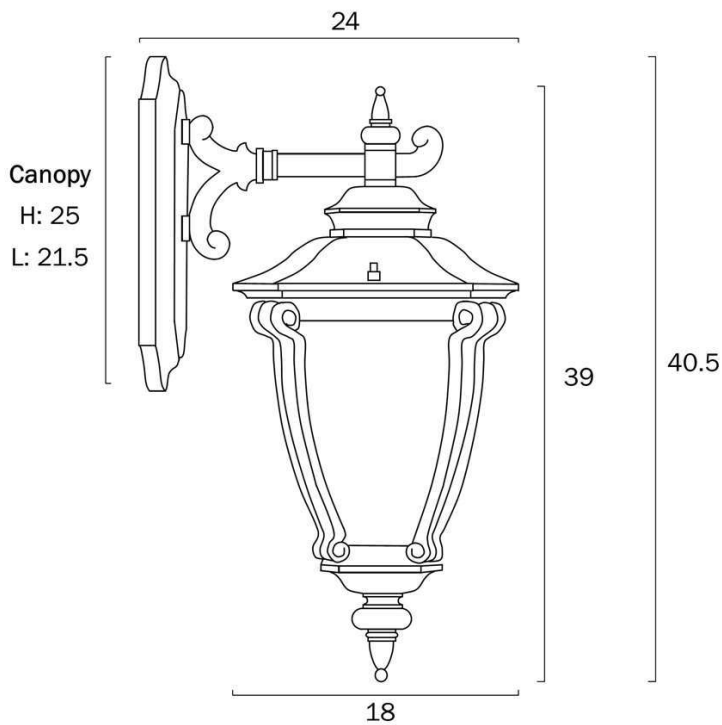
All representations within this document are subject to copyright. ELECTRICAL INSTALLATIONS MUST BE PERFORMED BY A QUALIFIED ELECTRICAL CONTRACTOR AND INSTALLED IN ACCORDANCE WITH AS/NZS 3000.
NOTE : All images , descriptions and dimensions are indicative. Please check latest version of item detail on Telbix website prior to ordering or installation.

Approvals	RCM
Box Contents	Basic mounting screws, Instruction
Installation Required	Yes (by Licensed Electrician only)
Care Instructions	Do not use strong liquid cleaners, Wipe clean with a dry cloth
Replacement Warranty	*3 Years

Barcode

GTIN 9329501063491

Image -dimensions



Note: Dimensions are only a guide and may vary due to manufacturing variations.





Last modification 2023-09-17

DELFINO EX-BK
9329501063484



The Delfino exterior wall lamp emits an appealing glow through its frosted glass. Based on classical Spanish design, the decorative aluminium castings provide that vintage look for your outdoor space. Available in 4 colours.

Overview

Family name	Delfino
Categories	Coach Lights
Mounting	Surface
This item includes	Glass
Usage	Outdoor Lighting

Color / Material

Fixture Color	Black, Frost
Fixture Finish	Sand
Fixture Material	Aluminium, Glass
Canopy Color	Black
Diffuser Material	Glass
Glass Color	Frost

Size

Fixture Height (cm)	40.5
Fixture Projection (cm)	24.0

Specification

Voltage Input	240V
Total Wattage (max)	25
Globe Type	E27
Globe / Light Source qty	1
Globe / Light Source included	No
Dimmable	Globe Dependant
Electrical Protection	CLASS I - HIGH VOLTAGE, EARTH REQUIRED
IP rating	IP44
Lead and Plug	No

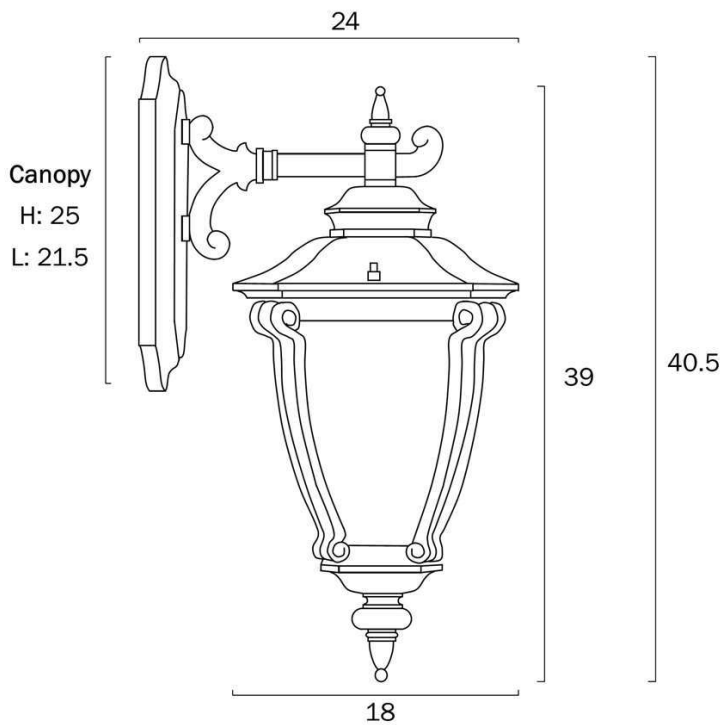
All representations within this document are subject to copyright. ELECTRICAL INSTALLATIONS MUST BE PERFORMED BY A QUALIFIED ELECTRICAL CONTRACTOR AND INSTALLED IN ACCORDANCE WITH AS/NZS 3000.
NOTE : All images , descriptions and dimensions are indicative. Please check latest version of item detail on Telbix website prior to ordering or installation.

Approvals	RCM
Box Contents	Basic mounting screws, Instruction
Installation Required	Yes (by Licensed Electrician only)
Care Instructions	Do not use strong liquid cleaners, Wipe clean with a dry cloth
Replacement Warranty	*3 Years

Barcode

GTIN 9329501063484

Image -dimensions



Note: Dimensions are only a guide and may vary due to manufacturing variations.



