

Last modification 2022-12-06

**KMAN EX1-WH**  
**9329501056394**



The understated cylinder wall lamp offers a subtle and refined design. Brighten surrounding areas for convenience or highlight feature walls. The aluminium tube is wall mounted with the integrated box section mounting base. Available as one light or two light up / down and powder coat finished in Black, Silver or White. LED GU10 globes are purchased separately and available as either warm, natural or cool white.

## Overview

<b>Family name</b>	kman
<b>Categories</b>	Wall Lights
<b>Mounting</b>	Surface
<b>Usage</b>	Indoor Lighting,Outdoor Lighting,Trade Selection

## Color / Material

<b>Fixture Color</b>	White
<b>Fixture Finish</b>	Powder Coated
<b>Fixture Material</b>	Metal
<b>Canopy Color</b>	White
<b>Shade Material</b>	Metal

## Size

<b>Fixture Diameter (cm)</b>	65.0
<b>Fixture Length (cm)</b>	6.8
<b>Fixture Height (cm)</b>	10.5
<b>Fixture Projection (cm)</b>	95.0
<b>Canopy Length (cm)</b>	5.0
<b>Canopy Projection (cm)</b>	4.0
<b>Canopy Width (cm)</b>	7.0

## Specification

<b>Voltage Input</b>	240V
<b>Wattage (max)</b>	6
<b>Globe Type</b>	GU10
<b>Globe / Light Source qty</b>	1

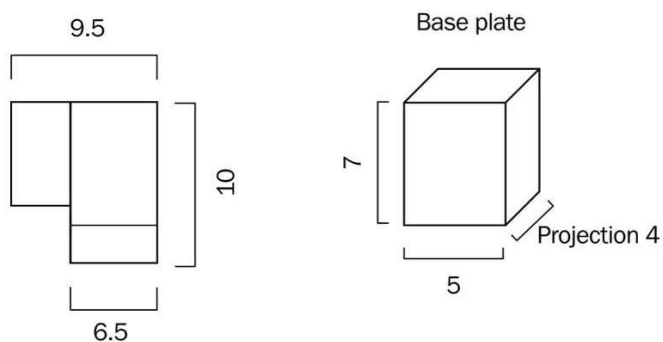
All representations within this document are subject to copyright.ELECTRICAL INSTALLATIONS MUST BE PERFORMED BY A QUALIFIED ELECTRICAL CONTRACTOR AND INSTALLED IN ACCORDANCE WITH AS/NZS 3000.  
NOTE : All images , descriptions and dimensions are indicative. Please check latest version of item detail on Telbix website prior to ordering or installation.

<b>Globe / Light Source included</b>	No
<b>Electrical Protection</b>	CLASS I - HIGH VOLTAGE, EARTH REQUIRED
<b>IP rating</b>	IP54
<b>Approvals</b>	RCM
<b>Box Contents</b>	Basic mounting screws, Instruction
<b>Installation Required</b>	Yes (by Licensed Electrician only)
<b>Care Instructions</b>	Do not use strong liquid cleaners, Wipe clean with a dry cloth
<b>Replacement Warranty</b>	*3 Years

Barcode

**GTIN** 9329501056394

Image -dimensions



Globe Type Recommended

Label	Color Temperature	Thumbnail	GTIN
GL GU10LED5LD			
GL GU10LED6W6			



