

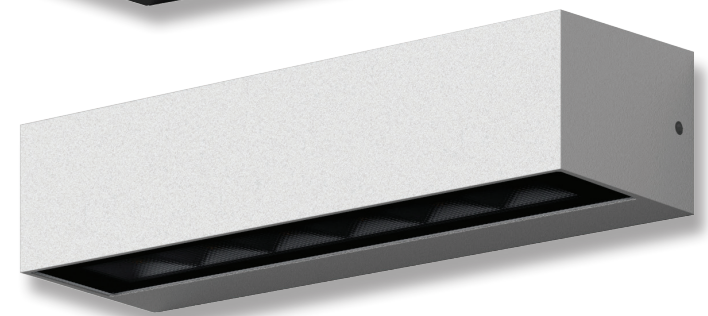
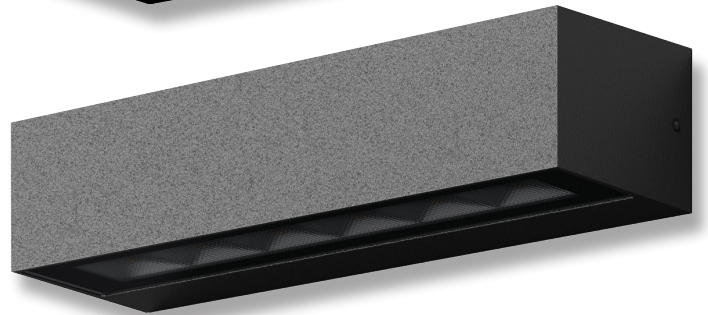
## DASH-13

### Up/Down LED Wall Light



#### Description

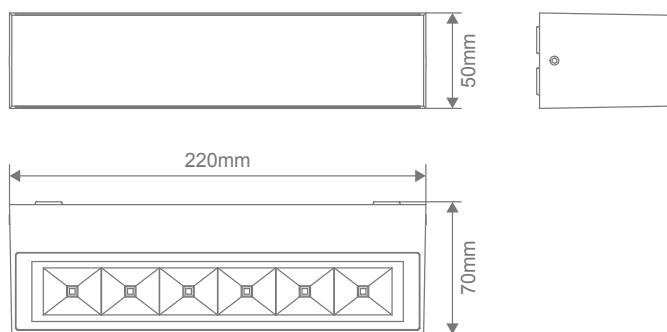
The DASH Series is a surface mounted LED wall light series available in different light emitting options. The DASH-8 is a downward only light emitting model, as well as the DASH-13, which illuminates both upward and downward to create that subtle welcoming effect. The DASH series is also rated at IP65, giving you flexibility in indoor and covered outdoor applications. Constructed from die-cast aluminium and includes a tempered glass lens. Behind this lens sits energy saving SMD LED chips, with specially designed optical lens that create spectacular wall washing effects. Available in Warm White 3000K and White 5000K colour temperature options. The DASH series comes complete with our Three Year Replacement Warranty for peace of mind.



#### Specification Features

Input Voltage:	240V
Power (W):	13
IP rating (IP):	65
Lumens (lm):	Warm White 3000K - 1000lm White 5000K - 1050lm
LED type:	COB
CCT:	3000K - 5000K
CRI:	≥80
Beam angle (°):	2x100°
Dimmable:	No
Lifespan (hrs):	50,000hrs

#### Diagrams / Additional



Item No.	Variant			CCT
	Blk	Dgr	Wht	
DASH-13	19942	19944	19946	3000K
	19943	19945	19947	5000K

## DASH-8 Downward LED Wall Light



### Description

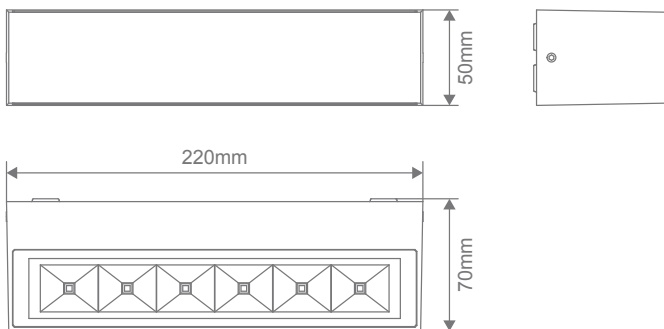
The DASH Series is a surface mounted LED wall light series available in different light emitting options. The DASH-8 is a downward only light emitting model, as well as the DASH-13, which illuminates both upward and downward to create that subtle welcoming effect. The DASH series is also rated at IP65, giving you flexibility in indoor and covered outdoor applications. Constructed from die-cast aluminium and includes a tempered glass lens. Behind this lens sits energy saving SMD LED chips, with specially designed optical lens that create spectacular wall washing effects. Available in Warm White 3000K and White 5000K colour temperature options. The DASH series comes complete with our Three Year Replacement Warranty for peace of mind.



### Specification Features

Input Voltage:	240V
Power (W):	8
IP rating (IP):	65
Lumens (lm):	Warm White 3000K - 600lm White 5000K - 620lm
LED type:	COB
CCT:	3000K - 5000K
CRI:	≥80
Beam angle (°):	100°
Dimmable:	No
Lifespan (hrs):	50,000hrs

### Diagrams / Additional



Item No.	Variant			CCT
	Blk	Dgr	Wht	
DASH-8	19900	19902	19904	3000K
	19901	19903	19905	5000K