

Last modification 2022-11-19

## CANTENA WB15-BK 9329501060674



CANTENA is a bold yet simple vintage outdoor pendant lamp. The tapered frame holds trapezoid clear glass and is suspended by a short rod with chain. The Cantena family is crafted in solid brass and finished in polished brass or brass painted in black. Available in 2 sizes, also as a wall lamp.

### Overview

<b>Family name</b>	Cantena
<b>Categories</b>	Coach Lights
<b>Mounting</b>	Surface
<b>Usage</b>	Outdoor Lighting

### Color / Material

<b>Fixture Color</b>	Clear,Black
<b>Fixture Material</b>	Glass,Solid Brass
<b>Canopy Color</b>	Black

### Size

<b>Fixture Length (cm)</b>	15.0
<b>Fixture Width (cm)</b>	15.0
<b>Fixture Height (cm)</b>	29.0
<b>Fixture Projection (cm)</b>	18.0
<b>Canopy Diameter (cm)</b>	10.0
<b>Canopy Projection (cm)</b>	2.5
<b>Shade Top (cm)</b>	12.0
<b>Shade Bottom (cm)</b>	15.0
<b>Shade Height (cm)</b>	21.0

### Specification

<b>Voltage Input</b>	240V
<b>Wattage (max)</b>	25
<b>Globe Type</b>	E27
<b>Globe / Light Source qty</b>	1
<b>Globe / Light Source included</b>	No

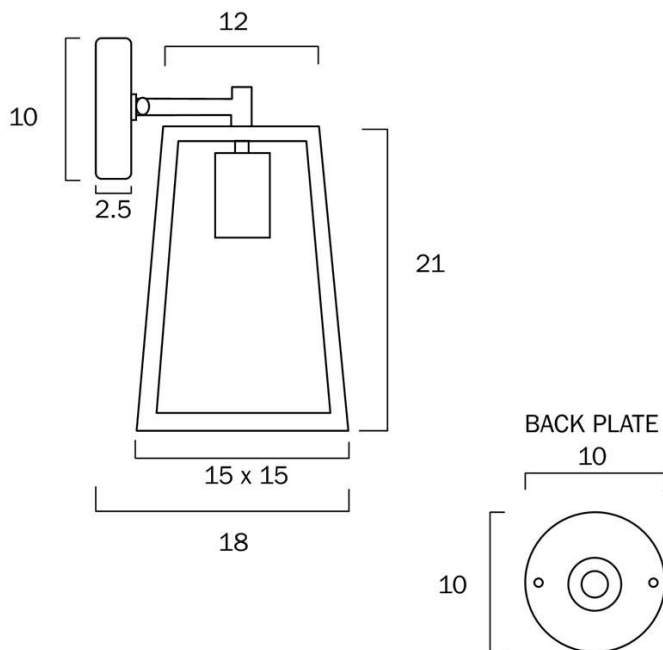
All representations within this document are subject to copyright. ELECTRICAL INSTALLATIONS MUST BE PERFORMED BY A QUALIFIED ELECTRICAL CONTRACTOR AND INSTALLED IN ACCORDANCE WITH AS/NZS 3000.  
NOTE : All images , descriptions and dimensions are indicative. Please check latest version of item detail on Telbix website prior to ordering or installation.

<b>Electrical Protection</b>	CLASS I - HIGH VOLTAGE, EARTH REQUIRED
<b>IP rating</b>	IP43
<b>Approvals</b>	RCM
<b>Assembly Required</b>	No
<b>Box Contents</b>	Basic mounting screws, Instruction
<b>Installation Required</b>	Yes (by Licensed Electrician only)
<b>Care Instructions</b>	Aluminium, Brass and Stainless Steel will naturally oxidised and change overtime. Exterior products require regular four (4) monthly cleaning and maintenance to ensure they do not accumulate dirt or other environmental deposits. Wipe the product with a mild detergent and warm water to remove surface deposits. Rinse with fresh water and wipe dry with a soft cloth. An extra temporary protection barrier of water displacement oil can help to maintain the surface, such as WD40, sprayed onto a soft cloth and rubbed onto the surface.
<b>Replacement Warranty</b>	*3 Years

Barcode

**GTIN** 9329501060674

Image -dimensions



All representations within this document are subject to copyright. ELECTRICAL INSTALLATIONS MUST BE PERFORMED BY A QUALIFIED ELECTRICAL CONTRACTOR AND INSTALLED IN ACCORDANCE WITH AS/NZS 3000.  
NOTE : All images , descriptions and dimensions are indicative. Please check latest version of item detail on Telbix website prior to ordering or installation.





Last modification 2022-11-19

## CANTENA WB15-AB 9329501060667



CANTENA is a bold yet simple vintage outdoor pendant lamp. The tapered frame holds trapezoid clear glass and is suspended by a short rod with chain. The Cantena family is crafted in solid brass and finished in polished brass or brass painted in black. Available in 2 sizes, also as a wall lamp.

### Overview

<b>Family name</b>	Cantena
<b>Categories</b>	Coach Lights
<b>Mounting</b>	Surface
<b>Usage</b>	Outdoor Lighting

### Color / Material

<b>Fixture Color</b>	Antique Brass,Clear
<b>Fixture Material</b>	Glass,Solid Brass
<b>Canopy Color</b>	Antique Brass

### Size

<b>Fixture Length (cm)</b>	15.0
<b>Fixture Width (cm)</b>	15.0
<b>Fixture Height (cm)</b>	29.0
<b>Fixture Projection (cm)</b>	18.0
<b>Canopy Diameter (cm)</b>	10.0
<b>Canopy Projection (cm)</b>	2.5
<b>Shade Top (cm)</b>	12.0
<b>Shade Bottom (cm)</b>	15.0
<b>Shade Height (cm)</b>	21.0

### Specification

<b>Voltage Input</b>	240V
<b>Wattage (max)</b>	25
<b>Globe Type</b>	E27
<b>Globe / Light Source qty</b>	1
<b>Globe / Light Source included</b>	No

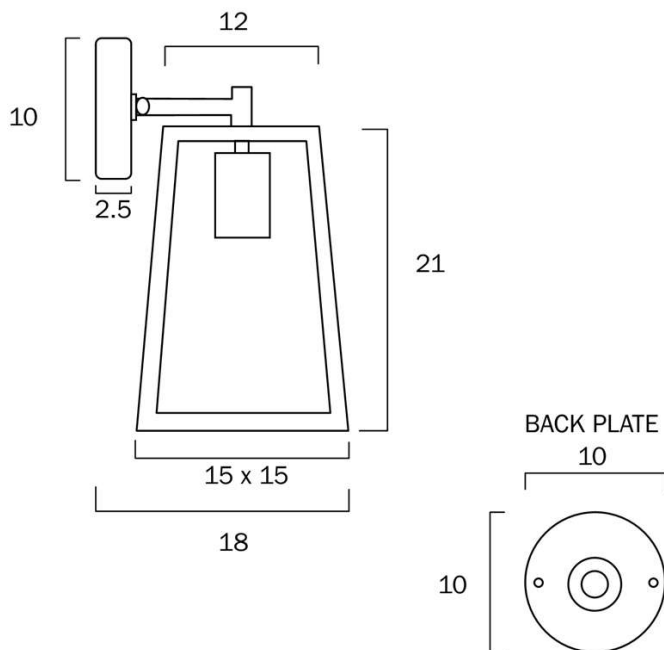
All representations within this document are subject to copyright. ELECTRICAL INSTALLATIONS MUST BE PERFORMED BY A QUALIFIED ELECTRICAL CONTRACTOR AND INSTALLED IN ACCORDANCE WITH AS/NZS 3000.  
NOTE : All images , descriptions and dimensions are indicative. Please check latest version of item detail on Telbix website prior to ordering or installation.

<b>Electrical Protection</b>	CLASS I - HIGH VOLTAGE, EARTH REQUIRED
<b>IP rating</b>	IP43
<b>Approvals</b>	RCM
<b>Assembly Required</b>	No
<b>Box Contents</b>	Basic mounting screws, Instruction
<b>Installation Required</b>	Yes (by Licensed Electrician only)
<b>Care Instructions</b>	Aluminium, Brass and Stainless Steel will naturally oxidised and change overtime. Exterior products require regular four (4) monthly cleaning and maintenance to ensure they do not accumulate dirt or other environmental deposits. Wipe the product with a mild detergent and warm water to remove surface deposits. Rinse with fresh water and wipe dry with a soft cloth. An extra temporary protection barrier of water displacement oil can help to maintain the surface, such as WD40, sprayed onto a soft cloth and rubbed onto the surface.
<b>Replacement Warranty</b>	*3 Years

Barcode

**GTIN** 9329501060667

Image -dimensions



All representations within this document are subject to copyright. ELECTRICAL INSTALLATIONS MUST BE PERFORMED BY A QUALIFIED ELECTRICAL CONTRACTOR AND INSTALLED IN ACCORDANCE WITH AS/NZS 3000.  
NOTE : All images , descriptions and dimensions are indicative. Please check latest version of item detail on Telbix website prior to ordering or installation.







Last modification 2022-11-19

## CANTENA WB25-BK 9329501060698



CANTENA is a bold yet simple vintage outdoor pendant lamp. The tapered frame holds trapezoid clear glass and is suspended by a short rod with chain. The Cantena family is crafted in solid brass and finished in polished brass or brass painted in black. Available in 2 sizes, also as a wall lamp.

### Overview

<b>Family name</b>	Cantena
<b>Categories</b>	Coach Lights
<b>Mounting</b>	Surface
<b>Usage</b>	Outdoor Lighting

### Color / Material

<b>Fixture Color</b>	Clear,Black
<b>Fixture Material</b>	Glass,Solid Brass
<b>Canopy Color</b>	Black

### Size

<b>Fixture Width (cm)</b>	25.0
<b>Fixture Height (cm)</b>	42.0
<b>Fixture Projection (cm)</b>	30.0
<b>Canopy Diameter (cm)</b>	10.0
<b>Canopy Projection (cm)</b>	2.5
<b>Shade Top (cm)</b>	20.0
<b>Shade Bottom (cm)</b>	25.0
<b>Shade Height (cm)</b>	34.0

### Specification

<b>Voltage Input</b>	240V
<b>Wattage (max)</b>	25
<b>Globe Type</b>	E27
<b>Globe / Light Source qty</b>	1
<b>Globe / Light Source included</b>	No
<b>Electrical Protection</b>	CLASS I - HIGH VOLTAGE, EARTH REQUIRED

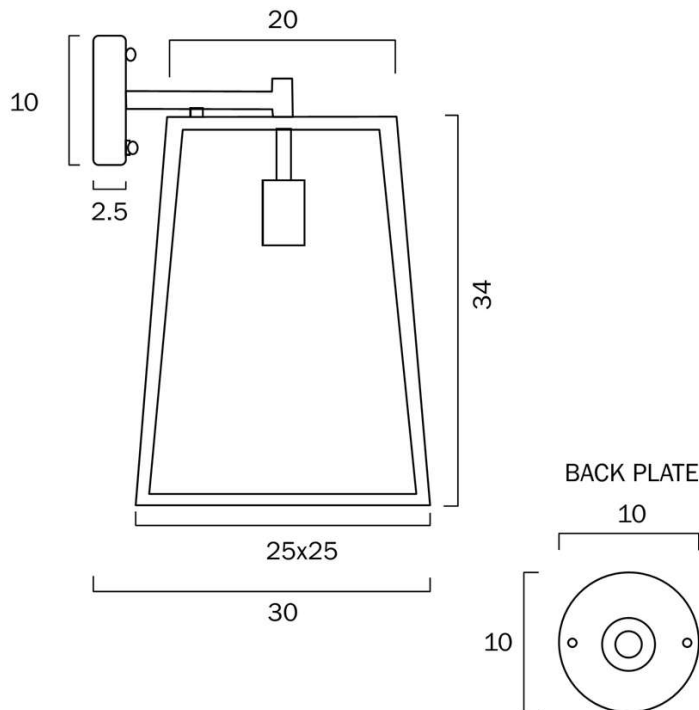
All representations within this document are subject to copyright. ELECTRICAL INSTALLATIONS MUST BE PERFORMED BY A QUALIFIED ELECTRICAL CONTRACTOR AND INSTALLED IN ACCORDANCE WITH AS/NZS 3000.  
NOTE : All images , descriptions and dimensions are indicative. Please check latest version of item detail on Telbix website prior to ordering or installation.

<b>IP rating</b>	IP43
<b>Approvals</b>	RCM
<b>Assembly Required</b>	No
<b>Box Contents</b>	Basic mounting screws, Instruction
<b>Installation Required</b>	Yes (by Licensed Electrician only)
<b>Care Instructions</b>	Aluminium, Brass and Stainless Steel will naturally oxidised and change overtime. Exterior products require regular four (4) monthly cleaning and maintenance to ensure they do not accumulate dirt or other environmental deposits. Wipe the product with a mild detergent and warm water to remove surface deposits. Rinse with fresh water and wipe dry with a soft cloth. An extra temporary protection barrier of water displacement oil can help to maintain the surface, such as WD40, sprayed onto a soft cloth and rubbed onto the surface.
<b>Replacement Warranty</b>	*3 Years

## Barcode

**GTIN** 9329501060698

## Image -dimensions







Last modification 2022-11-19

## CANTENA WB25-AB 9329501060681



CANTENA is a bold yet simple vintage outdoor pendant lamp. The tapered frame holds trapezoid clear glass and is suspended by a short rod with chain. The Cantena family is crafted in solid brass and finished in polished brass or brass painted in black. Available in 2 sizes, also as a wall lamp.

### Overview

<b>Family name</b>	Cantena
<b>Categories</b>	Coach Lights
<b>Mounting</b>	Surface
<b>Usage</b>	Outdoor Lighting

### Color / Material

<b>Fixture Color</b>	Antique Brass,Clear
<b>Fixture Material</b>	Glass,Solid Brass
<b>Canopy Color</b>	Antique Brass

### Size

<b>Fixture Width (cm)</b>	25.0
<b>Fixture Height (cm)</b>	42.0
<b>Fixture Projection (cm)</b>	30.0
<b>Canopy Diameter (cm)</b>	10.0
<b>Canopy Projection (cm)</b>	2.5
<b>Shade Top (cm)</b>	20.0
<b>Shade Bottom (cm)</b>	25.0
<b>Shade Height (cm)</b>	34.0

### Specification

<b>Voltage Input</b>	240V
<b>Wattage (max)</b>	25
<b>Globe Type</b>	E27
<b>Globe / Light Source qty</b>	1
<b>Globe / Light Source included</b>	No
<b>Electrical Protection</b>	CLASS I - HIGH VOLTAGE, EARTH REQUIRED

All representations within this document are subject to copyright. ELECTRICAL INSTALLATIONS MUST BE PERFORMED BY A QUALIFIED ELECTRICAL CONTRACTOR AND INSTALLED IN ACCORDANCE WITH AS/NZS 3000.  
NOTE : All images , descriptions and dimensions are indicative. Please check latest version of item detail on Telbix website prior to ordering or installation.

<b>IP rating</b>	IP43
<b>Approvals</b>	RCM
<b>Assembly Required</b>	No
<b>Box Contents</b>	Basic mounting screws, Instruction
<b>Installation Required</b>	Yes (by Licensed Electrician only)
<b>Care Instructions</b>	Aluminium, Brass and Stainless Steel will naturally oxidised and change overtime. Exterior products require regular four (4) monthly cleaning and maintenance to ensure they do not accumulate dirt or other environmental deposits. Wipe the product with a mild detergent and warm water to remove surface deposits. Rinse with fresh water and wipe dry with a soft cloth. An extra temporary protection barrier of water displacement oil can help to maintain the surface, such as WD40, sprayed onto a soft cloth and rubbed onto the surface.
<b>Replacement Warranty</b>	*3 Years

### Barcode

**GTIN** 9329501060681

### Image -dimensions

