

## CUP Wall Light



### Description

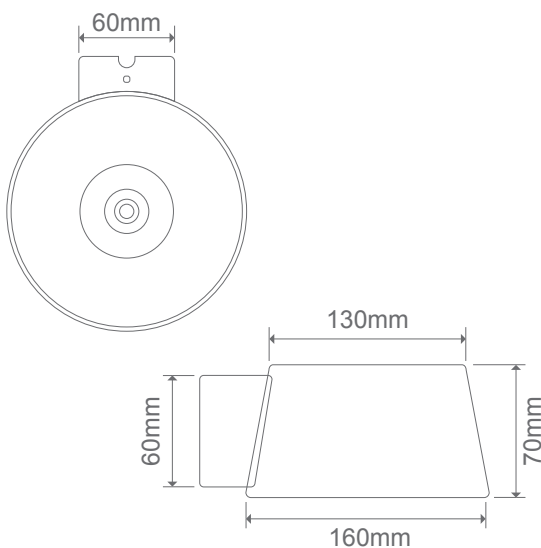
The CUP offers a unique and distinct shape which will complement any home. With its high power EDISON COB LED and built-in reflector the CUP is capable of producing lighting that is both effective and classy. Metalware has a special treatment applied to it prior to the final polyester-coated finish to further increase the longevity of this product. The CUP is also rated at IP54 and comes complete with a built-in power supply.



### Specification Features

Input Voltage: 240V AC  
 Power (W): 10W  
 IP rating (IP): 54  
 Lumens (lm): Warm White 3000K - 800lm  
 White 5000K - 850lm  
 LED type: EDISON COB LED  
 CCT: 3000K - 5000K  
 CRI: ≥83  
 Beam angle (°): 45°  
 Dimmable: No  
 Lifespan (hrs): 40,000hrs

### Diagrams / Additional



Item No.	Variant	Colour Temperature
CUP-SLR	19510	3000K
	19511	5000K
CUP-DGR	19512	3000K
	19513	5000K