

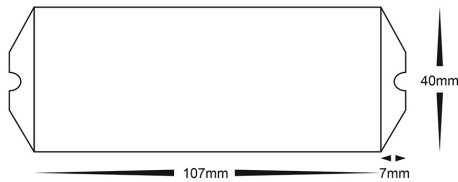
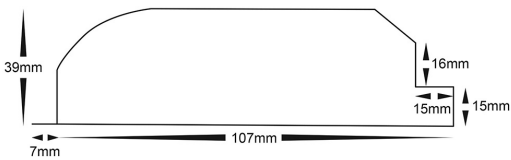
1-10v RGB LED Strip Controller

PRODUCT SPECIFICATIONS

- Material:** Plastic
- Colour:** White
- LED Strip Type:** RGB
- No. of Channels:** 3
- Input Voltage:** 12v DC or 24v DC
- Output Power:** 3x 5A (180w/360w)
- Input Signal:** 0-10v analogue dimming
- IP Rating:** IP20
- Dimmable:** Yes (0.1% - 100%)
- Warranty:** 2 Years Replacement**



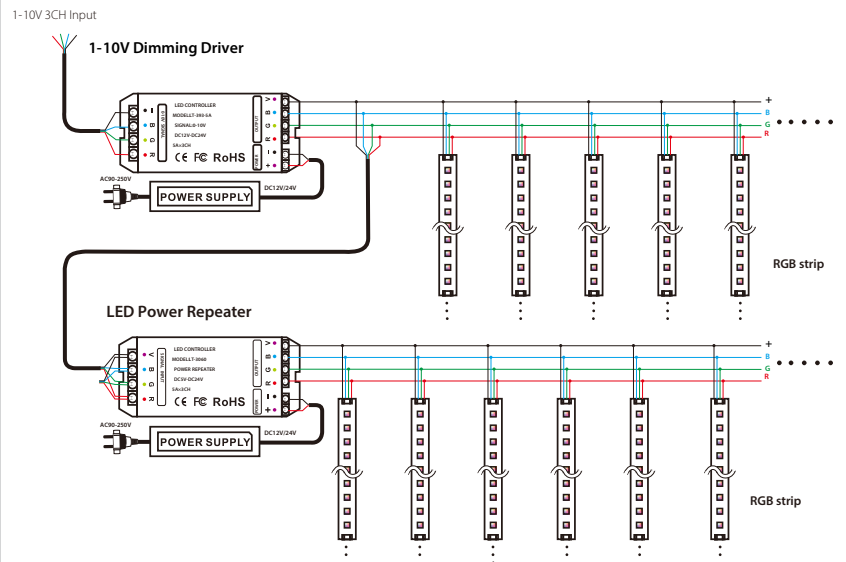
DIMENSIONS



IP RATING



SAMPLE INSTALLATION DIAGRAM



Product Ordering

IMAGE

PART NUMBER



HV9106-LT-393-5A

** See Warranty Terms and Conditions for more information

For more information contact Havit Lighting

ADDRESS:
143 Beauchamp Road
Matraville NSW 2036
Australia

Tel: 02 9381 8300
Fax: 02 9666 8881
Email: sales@havit.com.au
web: www.havit.com.au

1-10v Single Colour LED Strip Controller

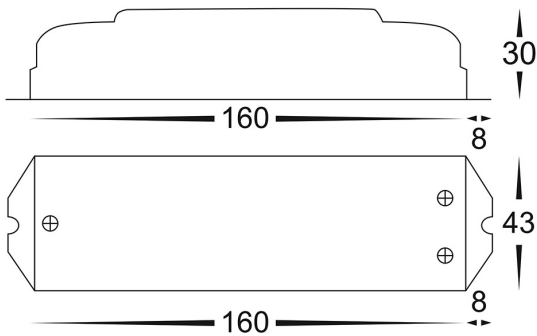


PRODUCT SPECIFICATIONS

- Material:** Plastic
- Colour:** White
- LED Strip Type:** Single Colour
- No. of Channels:** 1
- Input Voltage:** 12v DC or 24v DC
- Output Power:** 1x 12A (144w/288w)
- Input Signal:** 01-10v, PWM
- IP Rating:** IP20
- Dimmable:** Yes (0.1% - 100%)
- Warranty:** 2 Years Replacement**



DIMENSIONS



COMPATIBLE WITH



HV9628

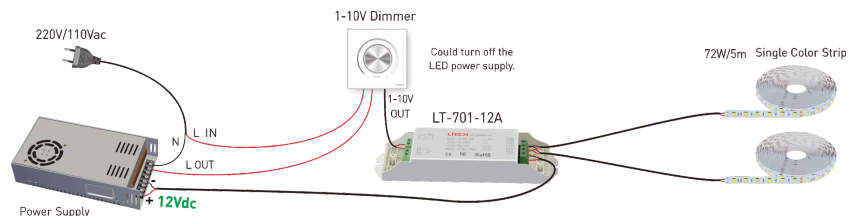
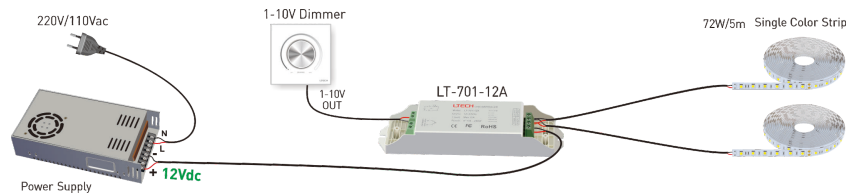


HV9101-E6-TD1

IP RATING



SAMPLE INSTALLATION DIAGRAM



Product Ordering

IMAGE

PART NUMBER



HV9106-LT-701-12A

** See Warranty Terms and Conditions for more information

For more information contact Havit Lighting

ADDRESS:
143 Beauchamp Road
Matraville NSW 2036
Australia

Tel: 02 9381 8300
Fax: 02 9666 8881
Email: sales@havit.com.au
web: www.havit.com.au