

Last modification

2023-04-06

## COLAIR PE4-BK 9329501062197



The COLAIR pendant family is created by artisan craftsman with skill and traditional techniques. The frames are handmade from solid brass sheet, then silver-soldered. The glass is clear with bevelled edges, providing simple lines to furnish classic environments. Available in Black or Brass.

### Overview

<b>Family name</b>	Colair
<b>Categories</b>	Pendants
<b>Mounting</b>	Surface
<b>This item includes</b>	Glass, Suspension
<b>Shade Shape</b>	Drum Tapered
<b>Suspension Type</b>	Rod (1x300)+(2x600)
<b>Usage</b>	Indoor Lighting

### Color / Material

<b>Fixture Color</b>	Clear, Black
<b>Fixture Finish</b>	Matte
<b>Fixture Material</b>	Glass, Solid Brass
<b>Canopy Color</b>	Black
<b>Glass Color</b>	Clear

### Size

<b>Fixture Length (cm)</b>	35.0
<b>Fixture Width (cm)</b>	35.0
<b>Fixture Height (cm)</b>	45.0
<b>Canopy Diameter (cm)</b>	10.0
<b>Canopy Projection (cm)</b>	2.5
<b>Shade Bottom (cm)</b>	35.0
<b>Shade Height (cm)</b>	45.0
<b>Suspension Length (cm)</b>	150.0

### Specification

<b>Voltage Input</b>	240V
----------------------	------

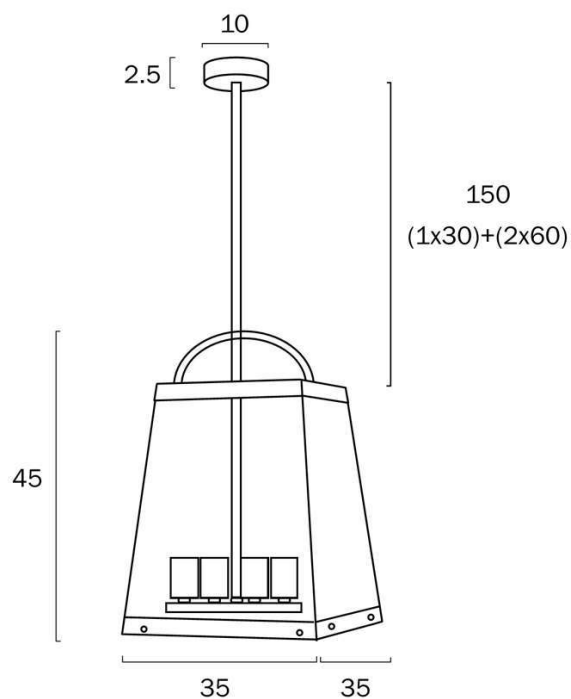
All representations within this document are subject to copyright. ELECTRICAL INSTALLATIONS MUST BE PERFORMED BY A QUALIFIED ELECTRICAL CONTRACTOR AND INSTALLED IN ACCORDANCE WITH AS/NZS 3000.  
NOTE : All images , descriptions and dimensions are indicative. Please check latest version of item detail on Telbix website prior to ordering or installation.

<b>Wattage (max)</b>	100
<b>Wattage</b>	25
<b>Globe Type</b>	E27
<b>Globe / Light Source qty</b>	4
<b>Globe / Light Source included</b>	No
<b>Dimmable</b>	Globe Dependant
<b>Electrical Protection</b>	CLASS I - HIGH VOLTAGE, EARTH REQUIRED
<b>IP rating</b>	IP20
<b>Approvals</b>	RCM
<b>Assembly Required</b>	Yes
<b>Box Contents</b>	Basic mounting screws, Instruction
<b>Installation Required</b>	Yes (by Licensed Electrician only)
<b>Care Instructions</b>	Do not use strong liquid cleaners, Wipe clean with a dry cloth
<b>Replacement Warranty</b>	*3 Years

## Barcode

**GTIN** 9329501062197

## Image -dimensions



Note: Dimensions are only a guide and may vary due to manufacturing variations.





Last modification

2023-04-06

## COLAIR PE4-BRS 9329501062005



The COLAIR pendant family is created by artisan craftsman with skill and traditional techniques. The frames are handmade from solid brass sheet, then silver-soldered. The glass is clear with bevelled edges, providing simple lines to furnish classic environments. Available in Black or Brass.

### Overview

<b>Family name</b>	Colair
<b>Categories</b>	Pendants
<b>Mounting</b>	Surface
<b>This item includes</b>	Glass, Suspension
<b>Shade Shape</b>	Drum Tapered
<b>Suspension Type</b>	Rod (1x300)+(2x600)
<b>Usage</b>	Indoor Lighting

### Color / Material

<b>Fixture Color</b>	Brass, Clear
<b>Fixture Finish</b>	Matte
<b>Fixture Material</b>	Glass, Solid Brass
<b>Canopy Color</b>	Brass
<b>Glass Color</b>	Clear

### Size

<b>Fixture Length (cm)</b>	35.0
<b>Fixture Width (cm)</b>	35.0
<b>Fixture Height (cm)</b>	45.0
<b>Canopy Diameter (cm)</b>	10.0
<b>Canopy Projection (cm)</b>	2.5
<b>Shade Bottom (cm)</b>	35.0
<b>Shade Height (cm)</b>	45.0
<b>Suspension Length (cm)</b>	150.0

### Specification

<b>Voltage Input</b>	240V
----------------------	------

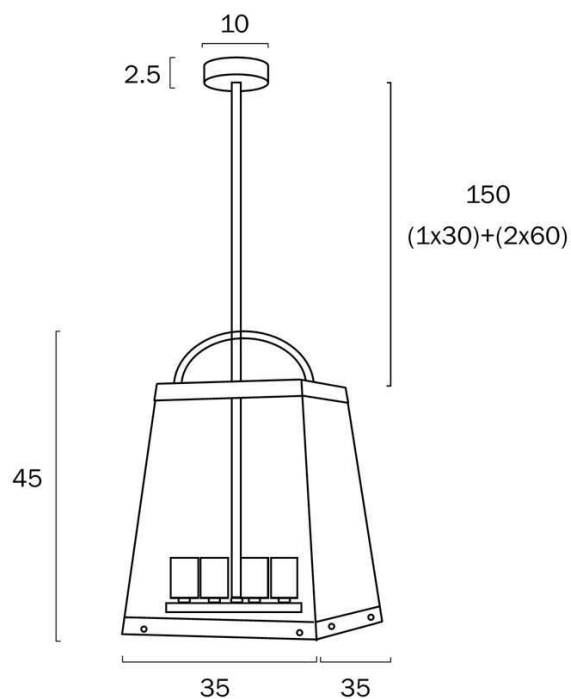
All representations within this document are subject to copyright. ELECTRICAL INSTALLATIONS MUST BE PERFORMED BY A QUALIFIED ELECTRICAL CONTRACTOR AND INSTALLED IN ACCORDANCE WITH AS/NZS 3000.  
NOTE : All images , descriptions and dimensions are indicative. Please check latest version of item detail on Telbix website prior to ordering or installation.

<b>Wattage (max)</b>	100
<b>Wattage</b>	25
<b>Globe Type</b>	E27
<b>Globe / Light Source qty</b>	4
<b>Globe / Light Source included</b>	No
<b>Dimmable</b>	Globe Dependant
<b>Electrical Protection</b>	CLASS I - HIGH VOLTAGE, EARTH REQUIRED
<b>IP rating</b>	IP20
<b>Approvals</b>	RCM
<b>Assembly Required</b>	Yes
<b>Box Contents</b>	Basic mounting screws, Instruction
<b>Installation Required</b>	Yes (by Licensed Electrician only)
<b>Care Instructions</b>	Do not use strong liquid cleaners, Wipe clean with a dry cloth
<b>Replacement Warranty</b>	*3 Years

## Barcode

**GTIN** 9329501062005

## Image -dimensions



Note: Dimensions are only a guide and may vary due to manufacturing variations.



