

Last modification 2022-11-19

COBY EX18-BK
9329501059418



The COBY outdoor wall lamp has a clean heritage appeal perfect for a variety of architectural home designs. The rectangular clear glass allows for bright illumination. The Coby family is crafted in solid brass and finished in polished brass or brass painted in black. Available in 2 sizes.

Overview

Family name	Coby
Categories	Coach Lights
Mounting	Surface
This item includes	Glass
Usage	Outdoor Lighting

Color / Material

Fixture Color	Black,Clear
Fixture Material	Solid Brass,Glass
Canopy Color	Black
Glass Color	Clear

Size

Fixture Width (cm)	14.7
Fixture Height (cm)	30.0
Fixture Projection (cm)	23.6
Canopy Length (cm)	10.5
Canopy Projection (cm)	2.5
Canopy Width (cm)	18.0
Shade Top (cm)	17.5

Specification

Voltage Input	240V
Wattage (max)	25
Globe Type	E27
Globe / Light Source qty	1
Globe / Light Source included	No

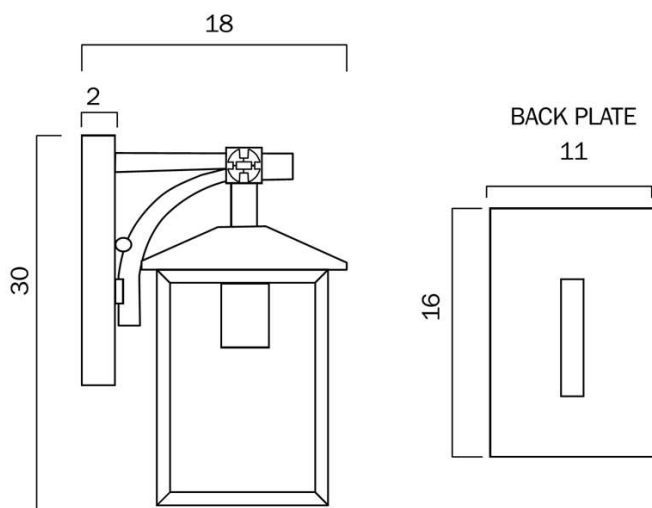
All representations within this document are subject to copyright. ELECTRICAL INSTALLATIONS MUST BE PERFORMED BY A QUALIFIED ELECTRICAL CONTRACTOR AND INSTALLED IN ACCORDANCE WITH AS/NZS 3000.
NOTE : All images , descriptions and dimensions are indicative. Please check latest version of item detail on Telbix website prior to ordering or installation.

Dimmable	No
Beam Angle (degree)	360
Electrical Protection	CLASS I - HIGH VOLTAGE, EARTH REQUIRED
IP rating	IP43
Lead and Plug	No
Approvals	RCM
Box Contents	Basic mounting screws, Instruction
Installation Required	Yes (by Licensed Electrician only)
Care Instructions	Aluminium, Brass and Stainless Steel will naturally oxidised and change overtime. Exterior products require regular four (4) monthly cleaning and maintenance to ensure they do not accumulate dirt or other environmental deposits. Wipe the product with a mild detergent and warm water to remove surface deposits. Rinse with fresh water and wipe dry with a soft cloth. An extra temporary protection barrier of water displacement oil can help to maintain the surface, such as WD40, sprayed onto a soft cloth and rubbed onto the surface.
Replacement Warranty	*3 Years

Barcode

GTIN 9329501059418

Image -dimensions





Last modification 2022-11-19

COBY EX18-BRS
9329501051580



The COBY outdoor wall lamp has a clean heritage appeal perfect for a variety of architectural home designs. The rectangular clear glass allows for bright illumination. The Coby family is crafted in solid brass and finished in polished brass or brass painted in black. Available in 2 sizes.

Overview

Family name	Coby
Categories	Coach Lights
Mounting	Surface
This item includes	Glass
Usage	Outdoor Lighting,Trade Selection

Color / Material

Fixture Color	Brass,Clear
Fixture Material	Solid Brass,Glass
Canopy Color	Brass
Glass Color	Clear

Size

Fixture Width (cm)	14.7
Fixture Height (cm)	30.0
Fixture Projection (cm)	23.6
Canopy Length (cm)	10.5
Canopy Projection (cm)	2.5
Canopy Width (cm)	18.0
Shade Top (cm)	17.5

Specification

Voltage Input	240V
Wattage (max)	25
Globe Type	E27
Globe / Light Source qty	1
Globe / Light Source included	No

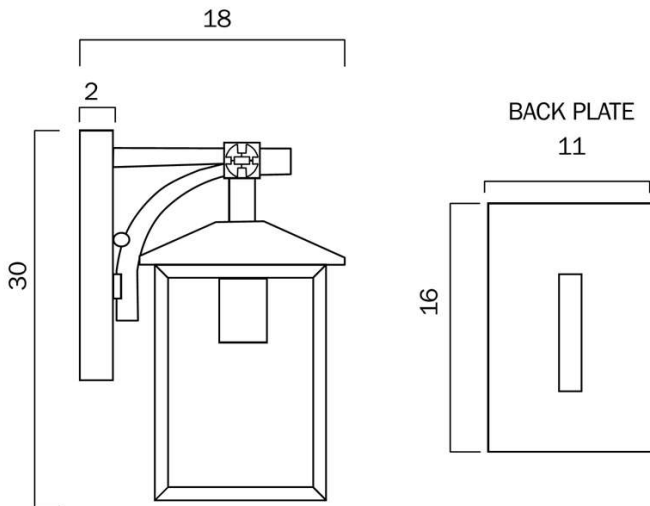
All representations within this document are subject to copyright.ELECTRICAL INSTALLATIONS MUST BE PERFORMED BY A QUALIFIED ELECTRICAL CONTRACTOR AND INSTALLED IN ACCORDANCE WITH AS/NZS 3000.
NOTE : All images , descriptions and dimensions are indicative. Please check latest version of item detail on Telbix website prior to ordering or installation.

Dimmable	No
Beam Angle (degree)	360
Electrical Protection	CLASS I - HIGH VOLTAGE, EARTH REQUIRED
IP rating	IP43
Lead and Plug	No
Approvals	RCM
Box Contents	Basic mounting screws, Instruction
Installation Required	Yes (by Licensed Electrician only)
Care Instructions	Aluminium, Brass and Stainless Steel will naturally oxidised and change overtime. Exterior products require regular four (4) monthly cleaning and maintenance to ensure they do not accumulate dirt or other environmental deposits. Wipe the product with a mild detergent and warm water to remove surface deposits. Rinse with fresh water and wipe dry with a soft cloth. An extra temporary protection barrier of water displacement oil can help to maintain the surface, such as WD40, sprayed onto a soft cloth and rubbed onto the surface.
Replacement Warranty	*3 Years

Barcode

GTIN 9329501051580

Image -dimensions



All representations within this document are subject to copyright. ELECTRICAL INSTALLATIONS MUST BE PERFORMED BY A QUALIFIED ELECTRICAL CONTRACTOR AND INSTALLED IN ACCORDANCE WITH AS/NZS 3000.
NOTE : All images , descriptions and dimensions are indicative. Please check latest version of item detail on Telbix website prior to ordering or installation.



