

Last modification

2022-11-19

**COBY EX15-BK**  
**9329501053362**



The COBY outdoor wall lamp has a clean heritage appeal perfect for a variety of architectural home designs. The rectangular clear glass allows for bright illumination. The Coby family is crafted in solid brass and finished in polished brass or brass painted in black. Available in 2 sizes.

## Overview

<b>Family name</b>	Coby
<b>Categories</b>	Coach Lights
<b>Mounting</b>	Surface
<b>This item includes</b>	Glass
<b>Usage</b>	Outdoor Lighting,Trade Selection

## Color / Material

<b>Fixture Color</b>	Black,Clear
<b>Fixture Material</b>	Solid Brass,Glass
<b>Canopy Color</b>	Black
<b>Glass Color</b>	Clear

## Size

<b>Fixture Width (cm)</b>	12.5
<b>Fixture Height (cm)</b>	27.0
<b>Fixture Projection (cm)</b>	20.0
<b>Canopy Length (cm)</b>	10.5
<b>Canopy Projection (cm)</b>	2.5
<b>Canopy Width (cm)</b>	16.0
<b>Shade Top (cm)</b>	14.5

## Specification

<b>Voltage Input</b>	240V
<b>Wattage (max)</b>	25
<b>Globe Type</b>	E27
<b>Globe / Light Source qty</b>	1
<b>Globe / Light Source included</b>	No

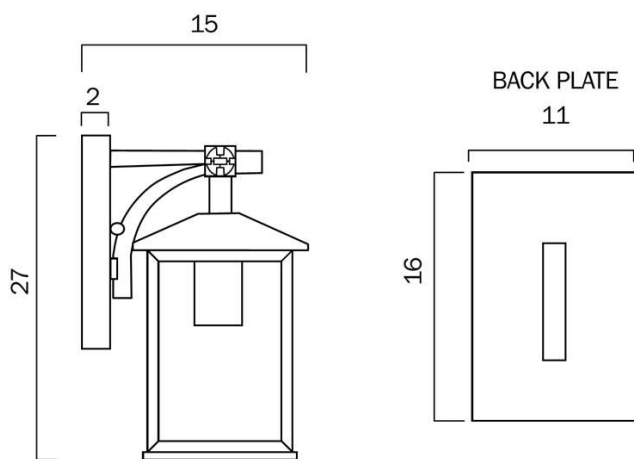
All representations within this document are subject to copyright.ELECTRICAL INSTALLATIONS MUST BE PERFORMED BY A QUALIFIED ELECTRICAL CONTRACTOR AND INSTALLED IN ACCORDANCE WITH AS/NZS 3000.  
NOTE : All images , descriptions and dimensions are indicative. Please check latest version of item detail on Telbix website prior to ordering or installation.

<b>Dimmable</b>	No
<b>Beam Angle (degree)</b>	360
<b>Electrical Protection</b>	CLASS I - HIGH VOLTAGE, EARTH REQUIRED
<b>IP rating</b>	IP43
<b>Lead and Plug</b>	No
<b>Approvals</b>	RCM
<b>Box Contents</b>	Basic mounting screws, Instruction
<b>Installation Required</b>	Yes (by Licensed Electrician only)
<b>Care Instructions</b>	Aluminium, Brass and Stainless Steel will naturally oxidised and change overtime. Exterior products require regular four (4) monthly cleaning and maintenance to ensure they do not accumulate dirt or other environmental deposits. Wipe the product with a mild detergent and warm water to remove surface deposits. Rinse with fresh water and wipe dry with a soft cloth. An extra temporary protection barrier of water displacement oil can help to maintain the surface, such as WD40, sprayed onto a soft cloth and rubbed onto the surface.
<b>Replacement Warranty</b>	*3 Years

## Barcode

**GTIN** 9329501053362

## Image -dimensions







Last modification 2022-11-19

**COBY EX15-BRS**  
**9329501051573**



The COBY outdoor wall lamp has a clean heritage appeal perfect for a variety of architectural home designs. The rectangular clear glass allows for bright illumination. The Coby family is crafted in solid brass and finished in polished brass or brass painted in black. Available in 2 sizes.

## Overview

<b>Family name</b>	Coby
<b>Categories</b>	Coach Lights
<b>Mounting</b>	Surface
<b>This item includes</b>	Glass
<b>Usage</b>	Outdoor Lighting,Trade Selection

## Color / Material

<b>Fixture Color</b>	Brass,Clear
<b>Fixture Material</b>	Solid Brass,Glass
<b>Canopy Color</b>	Brass
<b>Glass Color</b>	Clear

## Size

<b>Fixture Width (cm)</b>	12.5
<b>Fixture Height (cm)</b>	27.0
<b>Fixture Projection (cm)</b>	20.0
<b>Canopy Length (cm)</b>	10.5
<b>Canopy Projection (cm)</b>	2.5
<b>Canopy Width (cm)</b>	16.0
<b>Shade Top (cm)</b>	14.5

## Specification

<b>Voltage Input</b>	240V
<b>Wattage (max)</b>	25
<b>Globe Type</b>	E27
<b>Globe / Light Source qty</b>	1
<b>Globe / Light Source included</b>	No

All representations within this document are subject to copyright.ELECTRICAL INSTALLATIONS MUST BE PERFORMED BY A QUALIFIED ELECTRICAL CONTRACTOR AND INSTALLED IN ACCORDANCE WITH AS/NZS 3000.  
NOTE : All images , descriptions and dimensions are indicative. Please check latest version of item detail on Telbix website prior to ordering or installation.

<b>Dimmable</b>	No
<b>Beam Angle (degree)</b>	360
<b>Electrical Protection</b>	CLASS I - HIGH VOLTAGE, EARTH REQUIRED
<b>IP rating</b>	IP43
<b>Lead and Plug</b>	No
<b>Approvals</b>	RCM
<b>Box Contents</b>	Basic mounting screws, Instruction
<b>Installation Required</b>	Yes (by Licensed Electrician only)
<b>Care Instructions</b>	Aluminium, Brass and Stainless Steel will naturally oxidised and change overtime. Exterior products require regular four (4) monthly cleaning and maintenance to ensure they do not accumulate dirt or other environmental deposits. Wipe the product with a mild detergent and warm water to remove surface deposits. Rinse with fresh water and wipe dry with a soft cloth. An extra temporary protection barrier of water displacement oil can help to maintain the surface, such as WD40, sprayed onto a soft cloth and rubbed onto the surface.
<b>Replacement Warranty</b>	*3 Years

## Barcode

**GTIN** 9329501051573

## Image -dimensions

