

# 12V MR16 EXTERIOR WALL PILLAR LIGHTS (Copper)



PMUDCEC



PM1FCEC



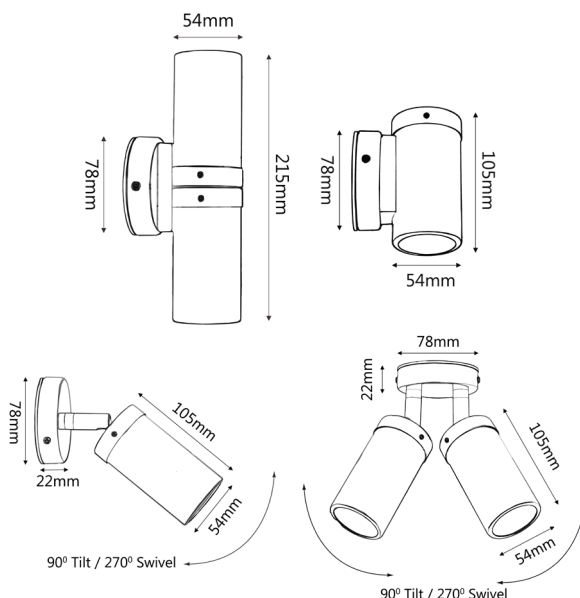
PM1ACEC



PM2ACEC

## PRODUCT FEATURES

- Exterior surface mounted wall lights
- Input voltage range: 12-25V DC
- Material: copper (light weight)
- Colour: copper
- **Anti-glare honey comb louver**
- Lamp holder: MR16 (Max.20W halogen)
- Globes not included
- Remote control gear required



PART NO.	DESCRIPTION	COLOUR	QTY OF GLOBES	WEIGHT (KG)	BOX (CM)	CARTON QTY
PMUDCEC	WALL MR16 PILLAR UP/DN COP	COPPER	2xMR16	0.8	24 x 9.5 x 9	20
PM1FCEC	WALL MR16 PILLAR Fixed COP	COPPER	1xMR16	0.5	12.5 x 9 x 9	20
PM1ACEC	WALL MR16 PILLAR S/ADJ COP (Brass knuckle)	COPPER	1xMR16	0.6	19 x 9 x 9	20
PM2ACEC	WALL MR16 PILLAR D/ADJ RND BASE COP (Brass knuckle)	COPPER	2xMR16	0.85	23 x 11.5 x 8.5	20

# MR16 EXTERIOR WALL PILLAR LIGHTS (Aged Copper)



PMUDCECA



PM1FCECA



PM1ACECA



PM2ACECA

Exterior Lighting

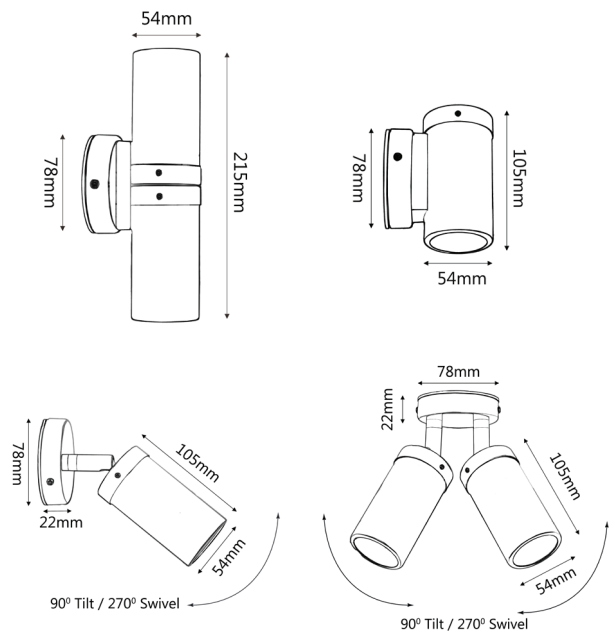
## PRODUCT FEATURES

- Exterior surface mounted wall lights
- Input voltage range: 12-25V DC
- Material: copper (light weight)
- Colour: aged copper
- **Anti-glare honey comb louver**
- Lamp holder: MR16 (Max.20W halogen)
- Globes not included
- Remote control gear required

  
**MR16**

**IP54**  
 Rated

**2YEAR**  
 Replacement  
 Warranty



Part No.	Description	Lamp Holder	Max. Watt	WEIGHT (KG)	BOX (CM)	CARTON QTY
PMUDCECA	WALL MR16 X 2 PILLAR UP/DN AGED COPPER	2xMR16	2x20W	0.75	23x10x9	1/20
PM1FCECA	WALL MR16 PILLAR FIXED AGED COPPER	1xMR16	1x20W	0.55	12x9x9	1/20
PM1ACECA	WALL MR16 PILLAR S/ADJ AGED COPPER	1xMR16	1x20W	0.55	19x9x9	1/20
PM2ACECA	WALL MR16 X 2 PILLAR D/ADJ RND BASE AGED COPPER	2xMR16	2x20W	0.85	23x11x9	1/20