

Last modification

2022-11-19

CHRIS TL-ABWH
9329501051283



Overview

| | |
|---------------------------|-----------------|
| Family name | Chris |
| Categories | Table Lamps |
| This item includes | Glass,Shade |
| Shade Shape | Drum |
| Switch | Inline Switch |
| Usage | Indoor Lighting |

Color / Material

| | |
|-------------------------|---------------------------|
| Fixture Color | Antique Brass,Clear,White |
| Fixture Material | Glass,Metal,Fabric |
| Shade Color | White |
| Shade Material | Fabric,Plastic |
| Base Color | Antique Brass,Clear |
| Base Material | Glass,Metal |
| Glass Color | Clear |
| Cable Color | Black |
| Cable Material | PVC |

Size

| | |
|------------------------------|----------------------------|
| Fixture Diameter (cm) | 38.0 |
| Fixture Height (cm) | 69.0 |
| Base Diameter (cm) | 16.0 |
| Shade Height (cm) | 25.5 |
| Cable Length (cm) | 180 (30+Inline Switch+150) |

Specification

| | |
|--------------------------------------|-----------------|
| Voltage Input | 240V |
| Wattage (max) | 25 |
| Globe Type | E27 |
| Globe / Light Source qty | 1 |
| Globe / Light Source included | No |
| Dimmable | Globe Dependant |

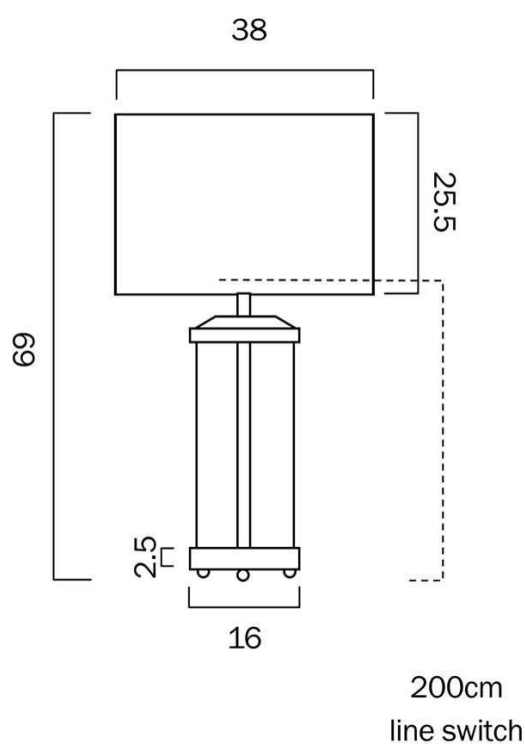
All representations within this document are subject to copyright.ELECTRICAL INSTALLATIONS MUST BE PERFORMED BY A QUALIFIED ELECTRICAL CONTRACTOR AND INSTALLED IN ACCORDANCE WITH AS/NZS 3000.
NOTE : All images , descriptions and dimensions are indicative. Please check latest version of item detail on Telbix website prior to ordering or installation.

| | |
|------------------------------|---|
| Beam Angle (degree) | 360 |
| Electrical Protection | CLASS II - DOUBLE INSULATED, EARTH NOT REQUIRED |
| IP rating | IP20 |
| Lead and Plug | Yes |
| Approvals | RCM |
| Box Contents | Instruction |
| Care Instructions | Do not use strong liquid cleaners,Wipe clean with a dry cloth |
| Replacement Warranty | *3 Years |

Barcode

GTIN 9329501051283

Image -dimensions





CHRIS

Telbix.