

CHAM-BT-RF-5C 5 Channel Controller



Description

The CHAM-BT-RF-5C is a 5-channel controller that can be used with a remote, touch panel wall control, or Bluetooth. Intended for use with constant voltage 12-24V DC lighting products the CHAM-BT-RF-5C offers various ways to control LED strip just by pairing it with a remote control, or a touch wall panel, or by using Bluetooth and controlling with a smart phone with the app. The CHAM-BT-RF-5C also works with GOOGLE and Alexa. Featuring 5 channels allowing control over single colour, RGB or RGBW lighting products.

Specification Features

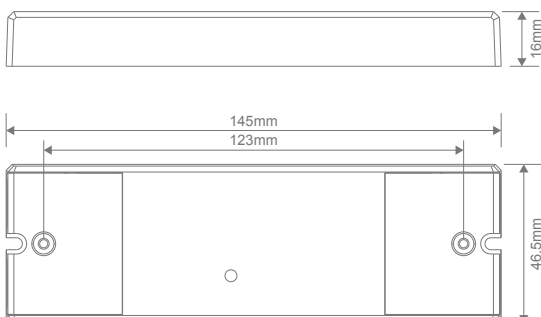
Type of controller:	5ch 4 in 1 universal RF+ Bluetooth controller
Method of control:	PWM
Method of dimming:	PWM (Pulse Width Modulation)
Housing colour:	Black plastic colour housing
Housing size (mm):	(L) 145mm x (W) 46.5mm x (H) 16mm
Input voltage (VDC):	12-24V DC
Output voltage (VDC):	12-24V DC
Output current (A):	5x4A
Output wattage (W):	12V DC - 48W per channel (x5). 24V DC - 96W per channel (x5).
Expandable signal:	Yes*
Requires:	Constant Voltage 12-24V DC LED driver**

* Multiple 5CH data repeaters can be used in a single circuit.

** Constant Voltage LED driver required (not included) depending on requirements of light source (12V or 24V DC).



Diagrams / Additional



Item No.	Variant
CHAM-BT-RF-5C	20141