

Last modification

2022-11-19

CASSIA OY385-3C
9329501054895



Overview

Family name	Cassia
Categories	Oysters
Mounting	Surface
This item includes	Diffuser
Usage	Indoor Lighting,Trade Selection

Color / Material

Fixture Color	Satin
Fixture Material	Metal,Polycarbonate
Canopy Color	White
Diffuser Color	Satin
Diffuser Material	Polycarbonate

Size

Fixture Diameter (cm)	38.5
Diffuser Diameter (cm)	38.5

Specification

Voltage Input	240V
Wattage (max)	28
Globe Type	LED integrated SMD
Globe / Light Source qty	1
Globe / Light Source included	Yes
Lumens	2400
Color Temperature	Warm White; Natural White; Cool White
Color Kelvin	3 CCT (3000k - 4000k - 6500k)
Color Rendering	>80
Dimmable	No
Power Factor	>0.90
Surge Protection	Yes (1.5 Kva)
Beam Angle (degree)	180
Current Output	240

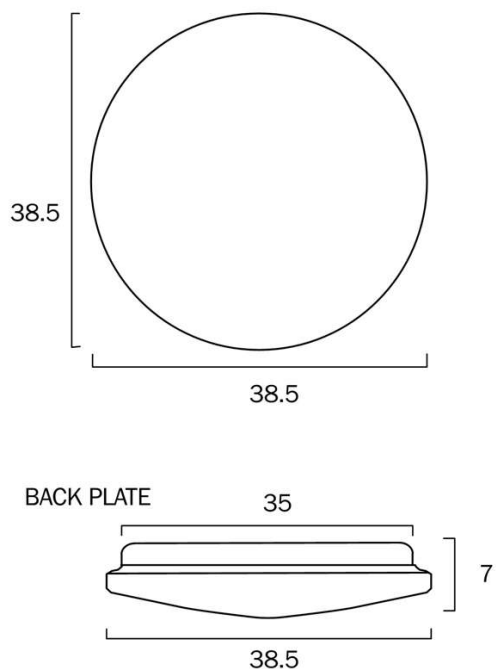
All representations within this document are subject to copyright.ELECTRICAL INSTALLATIONS MUST BE PERFORMED BY A QUALIFIED ELECTRICAL CONTRACTOR AND INSTALLED IN ACCORDANCE WITH AS/NZS 3000.
NOTE : All images , descriptions and dimensions are indicative. Please check latest version of item detail on Telbix website prior to ordering or installation.

Electrical Protection	CLASS I - HIGH VOLTAGE, EARTH REQUIRED
IP rating	IP20
Lead and Plug	No
Approvals	RCM
Assembly Required	No
Box Contents	Basic mounting screws,Instruction
Installation Required	Yes (by Licensed Electrician only)
Care Instructions	Do not use strong liquid cleaners,Wipe clean with a dry cloth
Replacement Warranty	*3 Years

Barcode

GTIN 9329501054895

Image -dimensions





Last modification

2022-11-19

CASSIA OY340-3C
9329501054888



Overview

Family name	Cassia
Categories	Oysters
Mounting	Surface
This item includes	Diffuser
Usage	Indoor Lighting,Trade Selection

Color / Material

Fixture Color	Satin
Fixture Material	Metal,Polycarbonate
Canopy Color	White
Diffuser Color	Satin
Diffuser Material	Polycarbonate

Size

Fixture Diameter (cm)	34.0
Diffuser Diameter (cm)	34.0

Specification

Voltage Input	240V
Wattage (max)	18
Globe Type	LED integrated SMD
Globe / Light Source qty	1
Globe / Light Source included	Yes
Lumens	1500
Color Temperature	Warm White; Natural White; Cool White
Color Kelvin	3 CCT (3000k - 4000k - 6500k)
Color Rendering	>80
Dimmable	No
Power Factor	>0.90
Surge Protection	Yes (1.5 Kva)
Beam Angle (degree)	180
Current Output	200

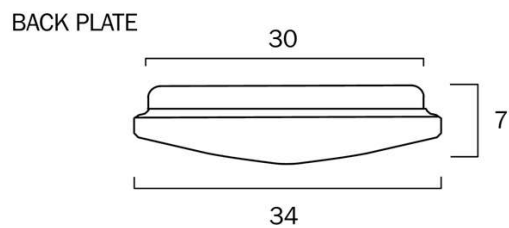
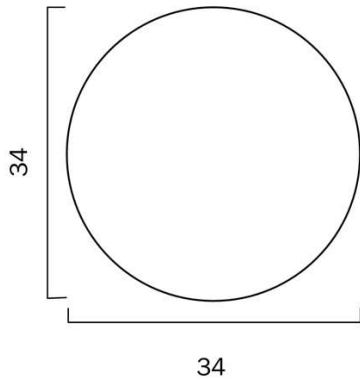
All representations within this document are subject to copyright.ELECTRICAL INSTALLATIONS MUST BE PERFORMED BY A QUALIFIED ELECTRICAL CONTRACTOR AND INSTALLED IN ACCORDANCE WITH AS/NZS 3000.
NOTE : All images , descriptions and dimensions are indicative. Please check latest version of item detail on Telbix website prior to ordering or installation.

Electrical Protection	CLASS I - HIGH VOLTAGE, EARTH REQUIRED
IP rating	IP20
Lead and Plug	No
Approvals	RCM
Assembly Required	No
Box Contents	Basic mounting screws,Instruction
Installation Required	Yes (by Licensed Electrician only)
Care Instructions	Do not use strong liquid cleaners,Wipe clean with a dry cloth
Replacement Warranty	*3 Years

Barcode

GTIN 9329501054888

Image -dimensions





Last modification 2022-11-19

CASSIA OY260-3C
9329501054871



Overview

Family name	Cassia
Categories	Oysters
Mounting	Surface
This item includes	Diffuser
Usage	Indoor Lighting,Trade Selection

Color / Material

Fixture Color	Satin
Fixture Material	Metal,Polycarbonate
Canopy Color	White
Diffuser Color	Satin
Diffuser Material	Polycarbonate

Size

Fixture Diameter (cm)	26.5
Diffuser Diameter (cm)	26.5

Specification

Voltage Input	240V
Wattage (max)	12
Globe Type	LED integrated SMD
Globe / Light Source qty	1
Globe / Light Source included	Yes
Lumens	1000
Color Temperature	Warm White; Natural White; Cool White
Color Kelvin	3 CCT (3000k - 4000k - 6500k)
Color Rendering	>80
Dimmable	No
Power Factor	>0.90
Surge Protection	Yes (1.5 Kva)
Beam Angle (degree)	180
Current Output	200

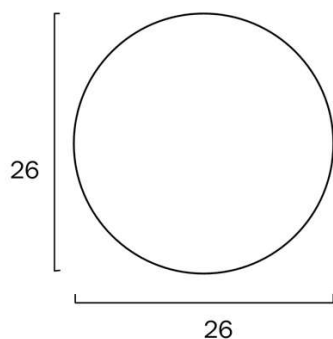
All representations within this document are subject to copyright.ELECTRICAL INSTALLATIONS MUST BE PERFORMED BY A QUALIFIED ELECTRICAL CONTRACTOR AND INSTALLED IN ACCORDANCE WITH AS/NZS 3000.
NOTE : All images , descriptions and dimensions are indicative. Please check latest version of item detail on Telbix website prior to ordering or installation.

Electrical Protection	CLASS I - HIGH VOLTAGE, EARTH REQUIRED
IP rating	IP20
Lead and Plug	No
Approvals	RCM
Assembly Required	No
Box Contents	Basic mounting screws,Instruction
Installation Required	Yes (by Licensed Electrician only)
Care Instructions	Do not use strong liquid cleaners,Wipe clean with a dry cloth
Replacement Warranty	*3 Years

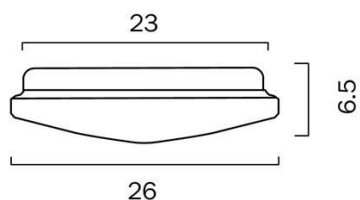
Barcode

GTIN 9329501054871

Image -dimensions



BACK PLATE





12w



18w



28w

