

Last modification 2022-11-18

## CANTENA PE15-BK 9329501060711



CANTENA is a bold yet simple vintage outdoor pendant lamp. The tapered frame holds trapezoid clear glass and is suspended by a short rod with chain. The Cantena family is crafted in solid brass and finished in polished brass or brass painted in black. Available in 2 sizes, also as a wall lamp.

### Overview

<b>Family name</b>	Cantena
<b>Categories</b>	Pendants
<b>Mounting</b>	Surface
<b>This item includes</b>	Suspension
<b>Suspension Type</b>	Chain + Rod
<b>Usage</b>	Indoor Lighting,Outdoor Lighting

### Color / Material

<b>Fixture Color</b>	Clear,Black
<b>Fixture Material</b>	Glass,Solid Brass
<b>Canopy Color</b>	Black

### Size

<b>Fixture Length (cm)</b>	15.0
<b>Fixture Width (cm)</b>	15.0
<b>Fixture Height (cm)</b>	21.0
<b>Canopy Diameter (cm)</b>	10.0
<b>Canopy Projection (cm)</b>	2.5
<b>Shade Bottom (cm)</b>	15.0
<b>Shade Height (cm)</b>	21.0
<b>Suspension Length (cm)</b>	121.0

### Specification

<b>Voltage Input</b>	240V
<b>Wattage (max)</b>	25
<b>Globe Type</b>	E27
<b>Globe / Light Source qty</b>	1

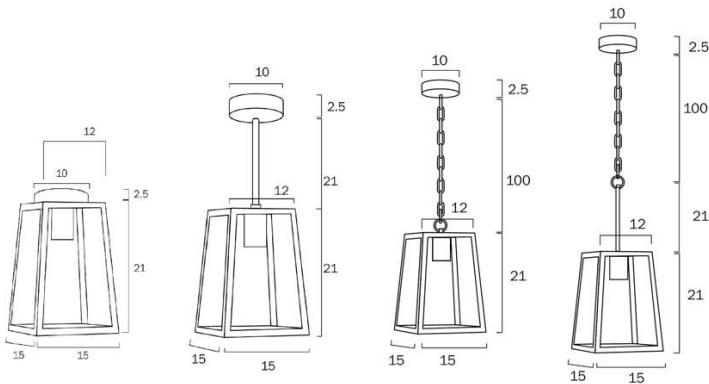
All representations within this document are subject to copyright.ELECTRICAL INSTALLATIONS MUST BE PERFORMED BY A QUALIFIED ELECTRICAL CONTRACTOR AND INSTALLED IN ACCORDANCE WITH AS/NZS 3000.  
NOTE : All images , descriptions and dimensions are indicative. Please check latest version of item detail on Telbix website prior to ordering or installation.

<b>Globe / Light Source included</b>	No
<b>Electrical Protection</b>	CLASS I - HIGH VOLTAGE, EARTH REQUIRED
<b>IP rating</b>	IP43
<b>Approvals</b>	RCM
<b>Assembly Required</b>	No
<b>Box Contents</b>	Basic mounting screws, Instruction
<b>Installation Required</b>	Yes (by Licensed Electrician only)
<b>Care Instructions</b>	Aluminium, Brass and Stainless Steel will naturally oxidised and change overtime. Exterior products require regular four (4) monthly cleaning and maintenance to ensure they do not accumulate dirt or other environmental deposits. Wipe the product with a mild detergent and warm water to remove surface deposits. Rinse with fresh water and wipe dry with a soft cloth. An extra temporary protection barrier of water displacement oil can help to maintain the surface, such as WD40, sprayed onto a soft cloth and rubbed onto the surface.
<b>Replacement Warranty</b>	*3 Years

Barcode

**GTIN** 9329501060711

Image -dimensions



All representations within this document are subject to copyright. ELECTRICAL INSTALLATIONS MUST BE PERFORMED BY A QUALIFIED ELECTRICAL CONTRACTOR AND INSTALLED IN ACCORDANCE WITH AS/NZS 3000. NOTE : All images , descriptions and dimensions are indicative. Please check latest version of item detail on Telbix website prior to ordering or installation.





Last modification 2022-11-18

## CANTENA PE15-AB 9329501060704



CANTENA is a bold yet simple vintage outdoor pendant lamp. The tapered frame holds trapezoid clear glass and is suspended by a short rod with chain. The Cantena family is crafted in solid brass and finished in polished brass or brass painted in black. Available in 2 sizes, also as a wall lamp.

### Overview

<b>Family name</b>	Cantena
<b>Categories</b>	Pendants
<b>Mounting</b>	Surface
<b>This item includes</b>	Suspension
<b>Suspension Type</b>	Chain + Rod
<b>Usage</b>	Indoor Lighting,Outdoor Lighting

### Color / Material

<b>Fixture Color</b>	Antique Brass,Clear
<b>Fixture Material</b>	Glass,Solid Brass
<b>Canopy Color</b>	Antique Brass

### Size

<b>Fixture Length (cm)</b>	15.0
<b>Fixture Width (cm)</b>	15.0
<b>Fixture Height (cm)</b>	21.0
<b>Canopy Diameter (cm)</b>	10.0
<b>Canopy Projection (cm)</b>	2.5
<b>Shade Bottom (cm)</b>	15.0
<b>Shade Height (cm)</b>	21.0
<b>Suspension Length (cm)</b>	121.0

### Specification

<b>Voltage Input</b>	240V
<b>Wattage (max)</b>	25
<b>Globe Type</b>	E27
<b>Globe / Light Source qty</b>	1

All representations within this document are subject to copyright.ELECTRICAL INSTALLATIONS MUST BE PERFORMED BY A QUALIFIED ELECTRICAL CONTRACTOR AND INSTALLED IN ACCORDANCE WITH AS/NZS 3000.  
NOTE : All images , descriptions and dimensions are indicative. Please check latest version of item detail on Telbix website prior to ordering or installation.

<b>Globe / Light Source included</b>	No
<b>Electrical Protection</b>	CLASS I - HIGH VOLTAGE, EARTH REQUIRED
<b>IP rating</b>	IP43
<b>Approvals</b>	RCM
<b>Assembly Required</b>	No
<b>Box Contents</b>	Basic mounting screws, Instruction
<b>Installation Required</b>	Yes (by Licensed Electrician only)
<b>Care Instructions</b>	Aluminium, Brass and Stainless Steel will naturally oxidised and change overtime. Exterior products require regular four (4) monthly cleaning and maintenance to ensure they do not accumulate dirt or other environmental deposits. Wipe the product with a mild detergent and warm water to remove surface deposits. Rinse with fresh water and wipe dry with a soft cloth. An extra temporary protection barrier of water displacement oil can help to maintain the surface, such as WD40, sprayed onto a soft cloth and rubbed onto the surface.
<b>Replacement Warranty</b>	*3 Years

### Barcode

**GTIN** 9329501060704

### Image -dimensions

