



# BARI– Round Up/Down Wall Light

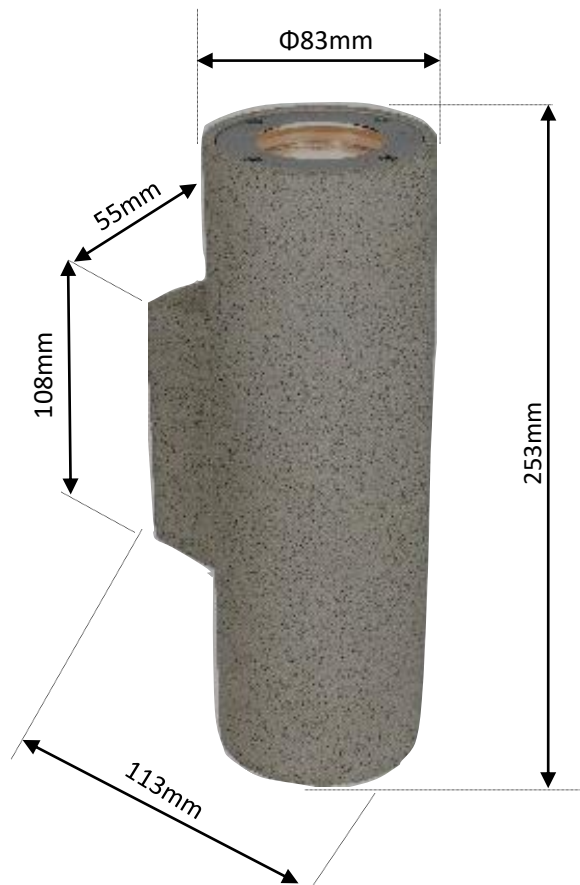
Model No. :	21826/08
Colour :	Grey

Congratulation on the purchase of your new Brilliant product. Before first using, it is most important that you read and follow these instructions, even if you feel you are quite familiar with this type of product. Keep this document handy for future reference.

**THIS FITTING MUST BE INSTALLED BY A QUALIFIED ELECTRICAL CONTRACTOR in accordance with the latest AS/NZS 3000 and relevant amendments**

## FOR YOUR SAFETY

- To prevent electrical shock, please ensure that POWER is DISCONNECTED before installation.
- During use the light head and/or light assembly may become hot.
- Do not install in a position where the fitting can be easily accessed by children or the infirm.
- Do not touch any parts of the assembly with bare hands while it is 'ON'.
- Be aware of the height of your installation. Refer to '**Working at Heights**' guide from your local or State Authorities.
- Any alterations or additions to building wiring **must be completed by a licensed electrician** or person authorised by legislation to work on the fixed wiring of any electrical installation.



# BARI – Round Up/Down Wall Light

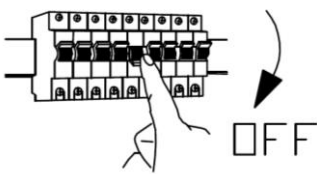
Model No. :	21826/08
Colour :	Grey

Before first using your new fitting, it is most important that you read and follow these instructions, even if you feel you are quite familiar with this type of product. Retain this document for future reference.

**THIS FITTING MUST BE INSTALLED BY A QUALIFIED ELECTRICAL CONTRACTOR in accordance with the latest AS/NZS 3000 and relevant amendments**

## INSTALLATION

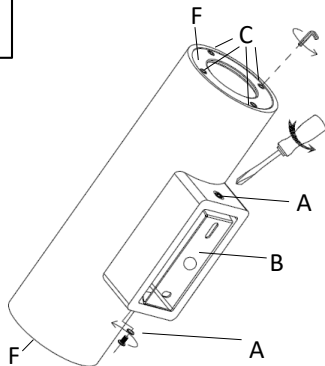
1



Turn power **OFF** !

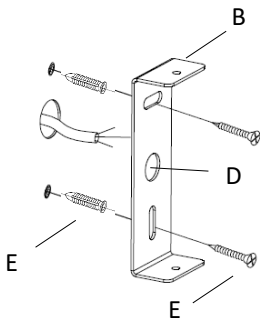
Before commencing installation always ensure the power is turned **OFF** !

2



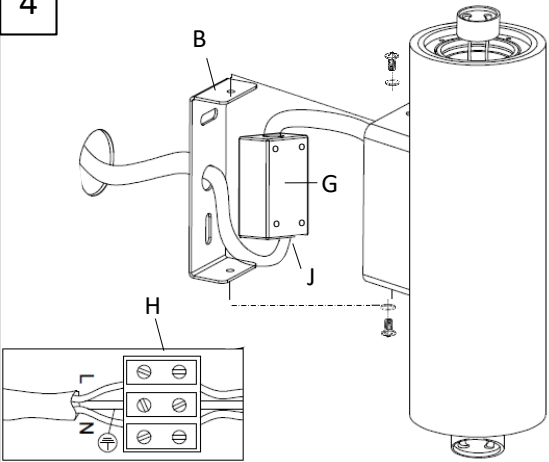
Undo screws 'A' and remove mounting bracket 'B'. Undo the front screws 'C' as well and remove both front covers 'F'.

3



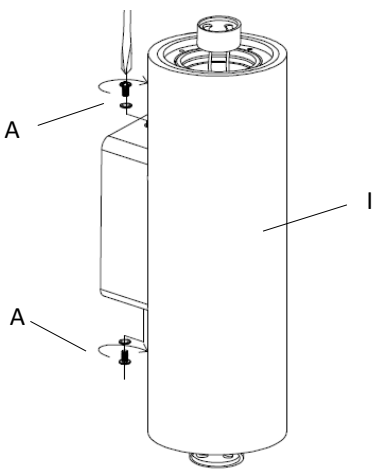
Drill two holes in the wall using the holes in the mounting bracket 'B' as a template. Feed mains supply cable through the wall and the hole 'D'. Use screws and suitable fixture system 'E' to install the mounting plate 'B' onto the wall securely.

4



Connect supply cable to terminal block: Remove 4 screws from junction box cover 'G'. Feed supply cable through weatherproof grommet 'J'. Ensure no gap around edges. Apply silicone if required to maintain IP rating. Connect cable L- Active, N-neutral and Earth to terminal block 'H' according to the marking on it. Tighten screws firmly. Replace junction box cover 'G' with 4 screws removed earlier.

5



Slide fitting body 'I' onto mounting bracket 'B' and tighten screws 'A' firmly.



# BARI – Round Up/Down Wall Light

Model No. :	21826/08
Colour :	Grey

Before first using your new fitting, it is most important that you read and follow these instructions, even if you feel you are quite familiar with this type of product. Retain this document for future reference.

**THIS FITTING MUST BE INSTALLED BY A QUALIFIED ELECTRICAL CONTRACTOR in accordance with the latest AS/NZS 3000 and relevant amendments**

## INSTALLATION continued:

**6**

Installation of the globe(s):  
Use clean hands.

- Insert GU10 Globe into lampholder.
- Secure the globe with clip 'K'.
- Replace front cover 'F' removed earlier.
- Tighten the 4 x front hexagonal screws firmly.

Repeat above steps for the second globe.

**7**

Turn the power back ON.

## SPECIFICATIONS

- 220-240V AC 50Hz
- GU10 2 x 35W MAX
- GLOBES: Max 35W GU10. NOTE: (\*)-Globes not included.
- Dimensions: 253mm x 113mm x  $\Phi$ 83mm
- Housing material: Black sandstone concrete
- Crafted terrazzo finish
- Tampered safety glass diffuser
- Protection: Class I
- Weatherproof: IP65
- Suitable for outdoor use
- Weight: 2.2kg



# BARI – Round Up/Down Wall Light

Model No. :	21826/08
Colour :	Grey

## WARNINGS

- Check before installation that the mounting surface is suitable for the fixture.
- Ensure that correct mounting screws are used suitable for the mounting surface.
- Do not install it on surfaces which can move or vibrate.
- Do not immerse any part of the fitting into water or any liquid.
- Ensure the cable is connected correctly to weatherproof junction box to maintain IP rating.
- Ensure the cable is fed through weatherproof grommet . Ensure no gap around edges. Apply silicone if required to maintain IP rating.
- Ensure wire connections are firm.
- Ensure all screws are tightened.
- Do not attempt to perform modification or change parts within the light fixture.
- Dispose of packaging thoughtfully.

## Please Note:

- This product is made of natural materials. Staining and discolouration may occur from the effects of the surrounding environment and is not covered under warranty conditions.
- This is handmade, variance of Terrazzo finish may occur.

## Warranty:

Brilliant Lighting warrants this product against defects in manufacture and workmanship for a period of 2 years from date of purchase or as specified elsewhere. For products used in non-domestic or commercial applications, Brilliant Lighting warrants this product for a period of 3 months from date of purchase. This warranty is only valid for products installed and operated within the guidelines specified by Brilliant Lighting, and within the correct operating voltage ranges as stated on the product's rating label.

Warranty does not include damage or loss arising from incorrect installation, operation or maintenance of this product, damage caused through modification, incorrect installation, service by unqualified or unauthorised personnel or lack of regular maintenance and cleaning. Proof of installation by qualified personnel may be required, e.g. Electrical Safety Certificate. Proof of purchase must be supplied with all warranty claims.

This warranty is provided in addition to any other rights and remedies of the customer under any law. In applications not intended for household, personal or domestic use, liability is limited to replacement or reimbursement of product only. Brilliant Lighting does not warranty the costs of removal or re-installation of this product or associated components.

*Our goods come with guarantees that cannot be excluded under the Australian Consumer Law. You are entitled to a replacement or refund for a major failure and compensation for any other reasonably foreseeable loss or damage. You are also entitled to have the goods repaired or replaced if goods fail to be of acceptable quality and the failure does not amount to a major failure.*

Any claim under this warranty must be made within the specified warranty period from date of purchase of this product. To make a claim under the warranty; at your own expense take the product (with proof of purchase – receipt or similar) to the store where you purchased the product or contact Brilliant Lighting at the address below.

This warranty is given by:

**Brilliant Lighting (Aust) Pty. Ltd.**  
**ABN 37 006 203 694**  
**956 Stud Road Rowville, VIC 3178**  
**Phone: 03 9765 2555**  
**Email: [Warranty@brilliantlighting.com.au](mailto:Warranty@brilliantlighting.com.au)**  
**MADE IN CHINA**