



BOTANIC 6W LED GARDEN SPOTLIGHT



Quick and easy installation.
Plug in and light up.



DIY	12V DC	6W 300LM	3000K WARM WHITE	6W RGB	TUNEABLE RGB	DIMMING	IP68 WEATHER RESISTANT	2YR WARRANTY
------------	---------------	--------------------	----------------------------	------------------	---------------------	----------------	----------------------------------	------------------------

21632 21633

Set the right ambiance with Botanic garden spotlights. Play with millions of colours or a simple warm white light to create the effect you want. Highlight objects, trees or pathways to make your space stand out.

Connect your Botanic to a BrilliantSmart Garden Light Controller and start discovering the endless possibilities. Control your lights from your smartphone or tablet via the BrilliantSmart app. Set timers, notifications, alarms, and more.

Adjustable head allows 90° Tilt

IP68 weather resistant rating for outdoor use

Ideal for enhancing ambience in your garden or pond

Durable diecast aluminium housing with tempered glass lens.

Easy DIY installation using quick connectors and 1.8m cable

6W integrated LED light source

Works with BrilliantSmart Garden Light Controller

Must be used with suitable 12V DC LED driver (Sold separately, see overleaf)

APPLICATIONS

- Perfect for lighting up trees, bushes and more.
- Suitable for residential and commercial applications

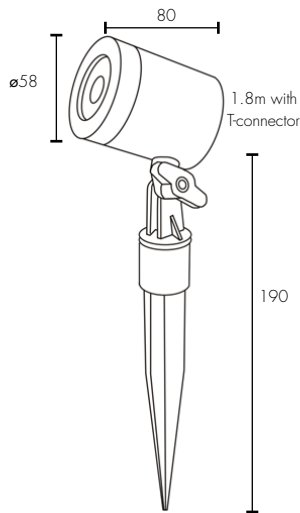




BOTANIC 6W LED GARDEN SPOTLIGHT

TECHNICAL SPECIFICATIONS

Operating voltage:	12V DC
Class:	Class III (3)
Wattage:	6W
Light Type:	LED
Lumens:	21632: 300 Total Lumens 21633: RGB
Colour temperature	21632: 3000K Warm White 21633: RGB
Dimmable:	Yes, via app
Input:	21632: 2-Pin (triangular slot) <i>Clip connector also supplied for install with 2-pin flat cable.</i> 21633: 4-Pin (large square slot)
Construction:	Diecast aluminium
Ingress protection:	IP68 rated
Warranty:	2 year replacement
Standards:	AS/NZS 60598.1






INSTALLATION

Do-It-Yourself

ACCESSORIES (sold separately)

15cm Extension Rod:	21639/06 black
Ground Base:	21640/06 black
2-Pin Flat Cable: (for 21632)	5m: 21638/06 10m: 19918/06,
4-Pin Round Cable: (for 21633)	2.5m 20704/06 5m: 21637/06
2-Way Splitter (Flat cable required)	19919/06
Transformers: (Flat cable required)	24W: 19915/06 36W: 19916/06 60W: 19917/06
Controllers: (Flat cable required)	Smart WiFi: 20701/06 Dusk-To-Dawn: 21636/06



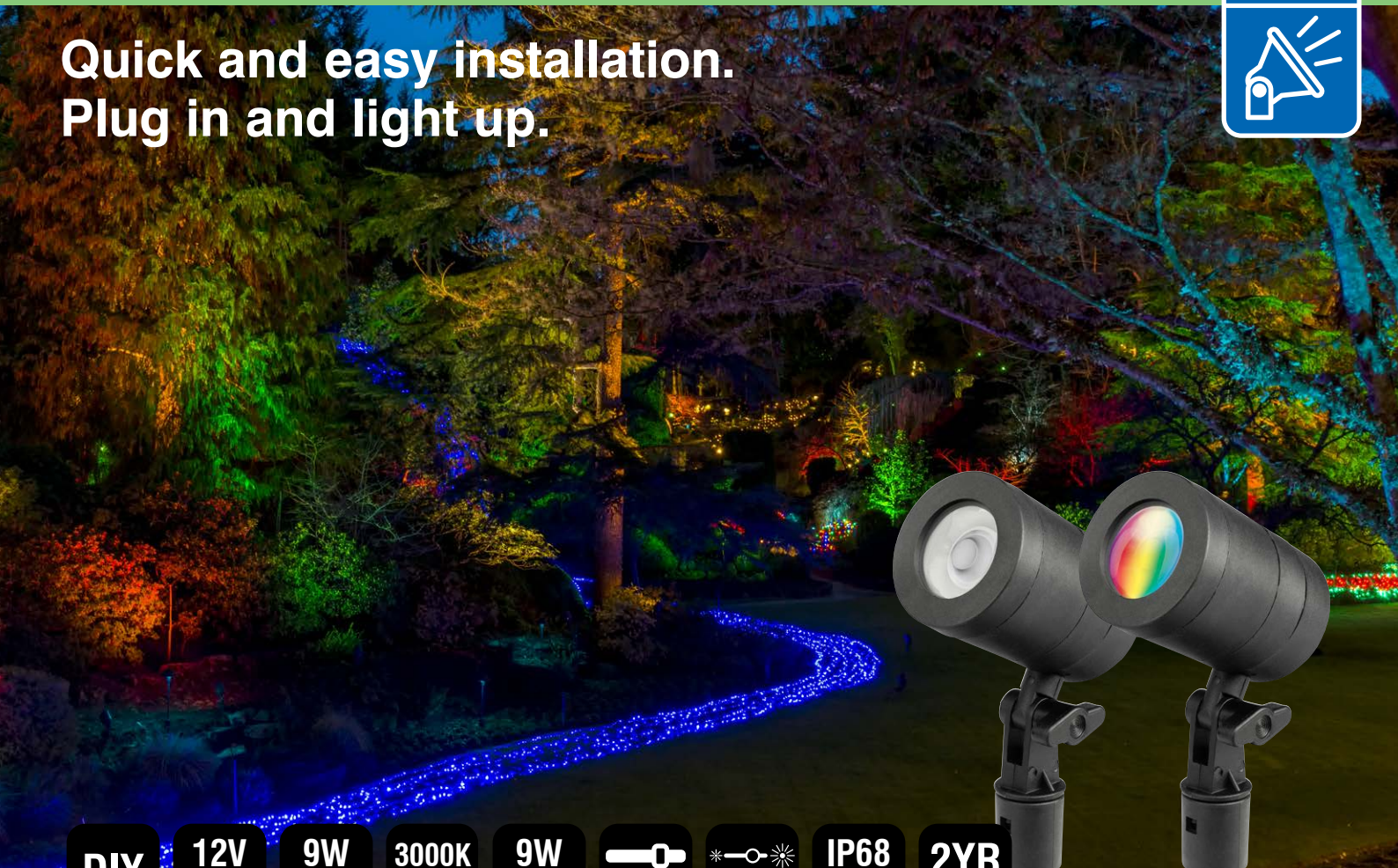
	MODEL	COLOUR	DESCRIPTION	BOX SIZE	GROSS WEIGHT	BOX QTY	BARCODE/TUN
RETAIL BOX	21632/06	Black	Botanic 6W Warm White LED Garden Spotlight	W80 x H240 x D70 mm	0.42 kg	1 pc	 9 312641 216322 >
OUTER CTN	21632/06	Black	Botanic 6W Warm White LED Garden Spotlight	W305 x H505 x D265 mm	11.0 kg	24 pc	 19312641216329
RETAIL BOX	21633/06	Black	Botanic 6W RGB LED Garden Spotlight	W100 x H240 x D70 mm	0.53 kg	1 pc	 9 312641 216339 >
OUTER CTN	21633/06	Black	Botanic 6W RGB LED Garden Spotlight	W320 x H260 x D300 mm	7.30 kg	12 pc	 19312641216336



BOTANIC 9W LED GARDEN SPOTLIGHT



Quick and easy installation.
Plug in and light up.



DIY	12V DC	9W 420LM	3000K WARM WHITE	9W RGB	TUNEABLE RGB	DIMMING	IP68 WEATHER RESISTANT	2YR WARRANTY
------------	---------------	--------------------	----------------------------	------------------	---------------------	----------------	----------------------------------	------------------------

21634 21635

Set the right ambiance with Botanic garden spotlights. Play with millions colours or a simple warm white light to create the effect you want. Highlight objects, trees or pathways to make your space stand out.

Connect your Botanic to a BrilliantSmart Garden Light Controller and start discovering the endless possibilities. Control your lights from your smartphone or tablet via the BrilliantSmart app. Set timers, notifications, alarms, and more.

Adjustable head allows 90° Tilt

IP68 weather resistant rating for outdoor use

Ideal for enhancing ambience in your garden or pond

Durable diecast aluminium housing with tempered glass lens

Easy DIY installation using quick connectors and 1.8m cable

9W integrated LED light source

Works with BrilliantSmart Garden Light Controller

Must be used with suitable 12V DC LED driver (Sold separately, see overleaf)

APPLICATIONS

- Perfect for lighting up trees, bushes and more.
- Suitable for residential and commercial applications





BOTANIC 9W LED GARDEN SPOTLIGHT

TECHNICAL SPECIFICATIONS

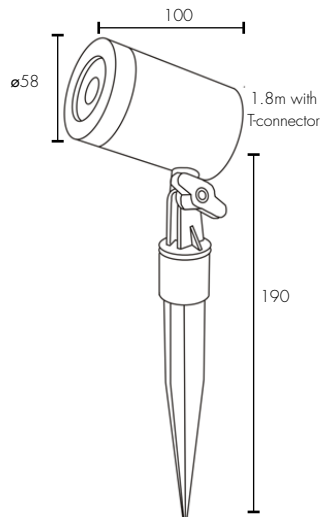
Operating voltage:	12V DC
Class:	Class III (3)
Wattage:	9W
Light Type:	LED
Lumens:	21634: 420 Total Lumens 21635: RGB
Colour temperature	21634: 3000K Warm White 21635: RGB
Dimmable:	Yes, via app
Input:	21634: 2-Pin (triangular slot) <i>Clip connector also supplied for install with 2-pin flat cable.</i> 21635: 4-Pin (large square slot)
Construction:	Diecast aluminium
Ingress protection:	IP68 rated
Warranty:	2 year replacement
Standards:	AS/NZS 60598.1





INSTALLATION

Do-It-Yourself

ACCESSORIES (sold separately)

15cm Extension Rod:	21639/06 black
Ground Base:	21640/06 black
2-Pin Flat Cable: (for 21634)	5m: 21638/06 10m: 19918/06,
4-Pin Round Cable: (for 21635)	2.5m 20704/06 5m: 21637/06
2-Way Splitter (Flat cable required)	19919/06
Transformers: (Flat cable required)	24W: 19915/06 36W: 19916/06 60W: 19917/06
Controllers: (Flat cable required)	Smart WiFi: 20701/06 Dusk-To-Dawn: 21636/06



	MODEL	COLOUR	DESCRIPTION	BOX SIZE	GROSS WEIGHT	BOX QTY	BARCODE/TUN
RETAIL BOX	21634/06	Black	Botanic 9W Warm White LED Garden Spotlight	W100 x H240 x D70 mm	0.48 kg	1 pc	 9 312641 216346 >
OUTER CTN	21634/06	Black	Botanic 9W Warm White LED Garden Spotlight	W320 x H300 x D300 mm	6.30 kg	12 pc	 19312641216343
RETAIL BOX	21635/06	Black	Botanic 9W RGB LED Garden Spotlight	W100 x H240 x D70 mm	0.59 kg	1 pc	 9 312641 216353 >
OUTER CTN	21635/06	Black	Botanic 9W RGB LED Garden Spotlight	W320 x H260 x D300 mm	7.60 kg	12 pc	 19312641216350