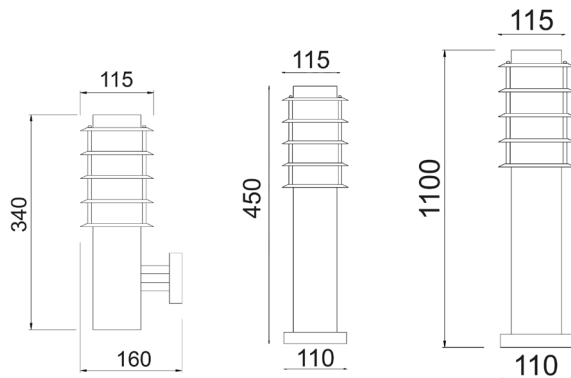


# BORDA

## EXTERIOR SURFACE MOUNTED LOUVRED WALL & BOLLARD LIGHTS

- Input voltage range: 220-240V AC 50/60Hz
- Housing: 304 stainless steel
- Diffuser: opal PC (Ø115 x H160mm)
- Lamp holder: E27 (Max.18W)
- Globe not included
- Recommended CLA globes: 3U001-003 (when used with external control gear), CAN & LT series
- For bollard lights, to maintain the IP rating please use circular cable in junction
- For bollard lights, for parallel and single connection we recommend using an appropriate IP68 connector (CLA Connector: CONN001 & CONN002)



**NOTE:**

- \*These bollards are designed for mounting on a solid surface such as a concrete path or sturdy timber decking
- \*Unless protected, not recommended for environments with harsh weather conditions or heavy rainfall. IP65 fittings recommended for such environments.
- \*To avoid disappointment and warranty problems, please ensure the IP Rating of the chosen product is relevant for the intended use.



**BORDA1**  
(Black / Wall Light)



**BORDA2**  
(SS / Wall Light)



**BORDA3**  
(Black / Bollard Light)



**BORDA6**  
(SS / Bollard Light)

Exterior Lighting

Part No.	Description	Diam	Inside Louvr	Height	Base	Box Weight	Box Dimensions	Carton QTY
<b>BORDA1</b>	WALL ES S/M FIXED SS304 BLACK	Ø115mm	Ø76x160mm	340mm	Ø110mm	1.0kg	15x15x36cm	1/10
<b>BORDA2</b>	WALL ES S/M FIXED SS304	Ø115mm	Ø76x160mm	340mm	Ø110mm	1.0kg	15x15x36cm	1/10
<b>BORDA3</b>	BOLLARD SHORT SS304 ES BLK	Ø115mm	Ø76x160mm	450mm	Ø110mm	0.8kg	13x13x47cm	1/10
<b>BORDA4</b>	BOLLARD SHORT SS304 ES	Ø115mm	Ø76x160mm	450mm	Ø110mm	0.8kg	13x13x47cm	1/10
<b>BORDA5</b>	BOLLARD LONG SS304 BLK ES	Ø115mm	Ø76x160mm	1000mm	Ø110mm	1.5kg	13x13x102cm	1/10
<b>BORDA6</b>	BOLLARD LONG SS304 ES	Ø115mm	Ø76x160mm	1000mm	Ø110mm	1.5kg	13x13x102cm	1/10