

Last modification

2022-11-14

**BOBO WB1-BKSM**  
**9329501057797**



This early century ribbed barrel glass gives a minimalist allure and sleek style for any space in your home. The BOBO collection is best illuminated with a LED twinkle globe accentuating the ribbed surface of the shade. The family includes a 1 light pendant, 1 light wall lamp, 1 light table lamp, 2 light table lamp, 4 light bar pendant, 5 light round pendant and 10 light round pendant. Available in Antique gold with opal matt shade or black with smoke.

## Overview

<b>Family name</b>	Bobo
<b>Categories</b>	Wall Lights
<b>Mounting</b>	Surface
<b>This item includes</b>	Glass
<b>Suspension Type</b>	Cable
<b>Usage</b>	Indoor Lighting

## Color / Material

<b>Fixture Color</b>	Black,Smoke
<b>Fixture Finish</b>	Matte
<b>Fixture Material</b>	Glass,Metal
<b>Canopy Color</b>	Black
<b>Shade Material</b>	Glass
<b>Glass Color</b>	Smoke
<b>Glass Finish</b>	Gloss
<b>Cable Color</b>	Black
<b>Cable Material</b>	Textile

## Specification

<b>Voltage Input</b>	240V
<b>Wattage (max)</b>	3
<b>Globe Type</b>	G9
<b>Globe / Light Source qty</b>	1
<b>Globe / Light Source included</b>	Yes
<b>Color Temperature</b>	Warm White
<b>Color Kelvin</b>	3000k
<b>Color Rendering</b>	>80

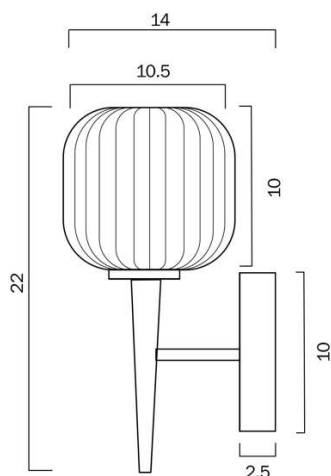
All representations within this document are subject to copyright. ELECTRICAL INSTALLATIONS MUST BE PERFORMED BY A QUALIFIED ELECTRICAL CONTRACTOR AND INSTALLED IN ACCORDANCE WITH AS/NZS 3000.  
NOTE : All images , descriptions and dimensions are indicative. Please check latest version of item detail on Telbix website prior to ordering or installation.

<b>Dimmable</b>	No
<b>Electrical Protection</b>	CLASS I - HIGH VOLTAGE, EARTH REQUIRED
<b>IP rating</b>	IP20
<b>Lead and Plug</b>	No
<b>Approvals</b>	RCM
<b>Assembly Required</b>	Yes
<b>Box Contents</b>	Basic mounting screws,Instruction
<b>Installation Required</b>	Yes (by Licensed Electrician only)
<b>Care Instructions</b>	Do not use strong liquid cleaners,Wipe clean with a dry cloth
<b>Replacement Warranty</b>	*3 Years

## Barcode

**GTIN** 9329501057797

## Image -dimensions







Last modification

2022-11-14

## BOBO WB1-AGOM 9329501057780



This early century ribbed barrel glass gives a minimalist allure and sleek style for any space in your home. The BOBO collection is best illuminated with a LED twinkle globe accentuating the ribbed surface of the shade. The family includes a 1 light pendant, 1 light wall lamp, 1 light table lamp, 2 light table lamp, 4 light bar pendant, 5 light round pendant and 10 light round pendant. Available in Antique gold with opal matt shade or black with smoke.

### Overview

<b>Family name</b>	Bobo
<b>Categories</b>	Wall Lights
<b>Mounting</b>	Surface
<b>This item includes</b>	Glass
<b>Suspension Type</b>	Cable
<b>Usage</b>	Indoor Lighting

### Color / Material

<b>Fixture Color</b>	Opal Matt,Antique Gold
<b>Fixture Finish</b>	Matte
<b>Fixture Material</b>	Glass,Metal
<b>Canopy Color</b>	Antique Gold
<b>Shade Material</b>	Glass
<b>Glass Color</b>	Opal Matt
<b>Glass Finish</b>	Matte
<b>Cable Color</b>	Black
<b>Cable Material</b>	Textile

### Specification

<b>Voltage Input</b>	240V
<b>Wattage (max)</b>	3
<b>Globe Type</b>	G9
<b>Globe / Light Source qty</b>	1
<b>Globe / Light Source included</b>	Yes
<b>Color Temperature</b>	Warm White
<b>Color Kelvin</b>	3000k
<b>Color Rendering</b>	>80

All representations within this document are subject to copyright. ELECTRICAL INSTALLATIONS MUST BE PERFORMED BY A QUALIFIED ELECTRICAL CONTRACTOR AND INSTALLED IN ACCORDANCE WITH AS/NZS 3000.  
NOTE : All images , descriptions and dimensions are indicative. Please check latest version of item detail on Telbix website prior to ordering or installation.

<b>Dimmable</b>	No
<b>Electrical Protection</b>	CLASS I - HIGH VOLTAGE, EARTH REQUIRED
<b>IP rating</b>	IP20
<b>Lead and Plug</b>	No
<b>Approvals</b>	RCM
<b>Assembly Required</b>	Yes
<b>Box Contents</b>	Basic mounting screws,Instruction
<b>Installation Required</b>	Yes (by Licensed Electrician only)
<b>Care Instructions</b>	Do not use strong liquid cleaners,Wipe clean with a dry cloth
<b>Replacement Warranty</b>	*3 Years

## Barcode

**GTIN** 9329501057780

## Image -dimensions

