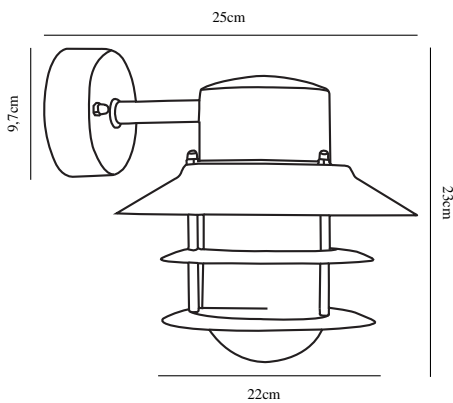


BLOKHUS DOWN | WALL LIGHT | GALVANIZED

25051031

nordlux®



Voltage (V): 230 Volt
IP degree: IP54
Maximum bulb wattage (W): 60W
Class (Class 1, Class 2, Class 3):
Class 1 (Earth contact)
Bulb base: E27
Parallel connection: True

Height (cm): 23
Shade Diameter (cm): 22
EAN: 5701581122048
TUN: 5061467
Item Number: 25051031
Pcs Per Master Carton: 3

Sales Box Height (cm): 23
Sales Box Width(cm): 22
Sales Box Depth (cm): 23
Sales Box Volume m³ : 0.0116
Product net weight (kg): 1.196

Primary material: Galvanized steel
Secondary material: Glass
Colour of the glass: Clear
Suitable for Seaside: True
Colour: Galvanized

- Built-in parallel connection
- Durable material that is well-suited for harsh weather
- 15-year guarantee on extensive corrosion

A classic light fixture from Nordlux, suitable for mounting in the driveway, at the entrance, on the terrace, or on the patio. This model is designed with a downward facing shade.

The galvanized finish makes the light fixture resistant to the Nordic climate. We recommend light fixtures in galvanized steel for coastal areas.