

## BL-400-1M-KIT

Bollard Head with 1 metre post



### Description

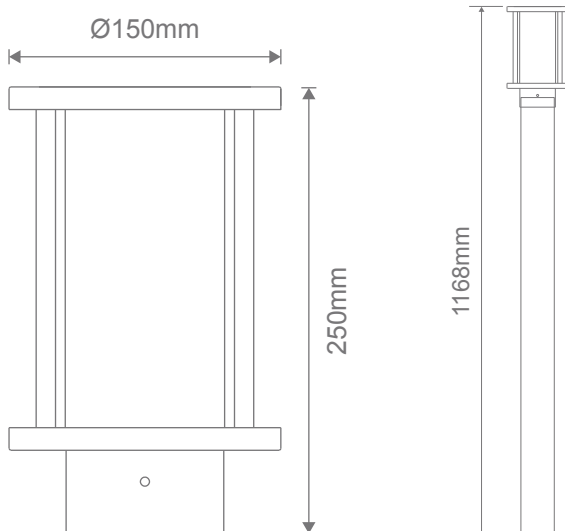
Aluminium Bollard head with the option of clear or frost glass on a 1 metre tall 76mm post.

### Specification Features

Input Voltage: 240V  
 Power (W): 25W LED Max  
 IP rating (IP): 54  
 Globe Base: E27 (Lamp not included)



### Diagrams / Additional



Item No.	Variant	
	Clear	Frost
BL-400-KIT	10682	10683