

# BH152ESW DOMINO

## 3-IN-1 BATHROOM SOLUTION

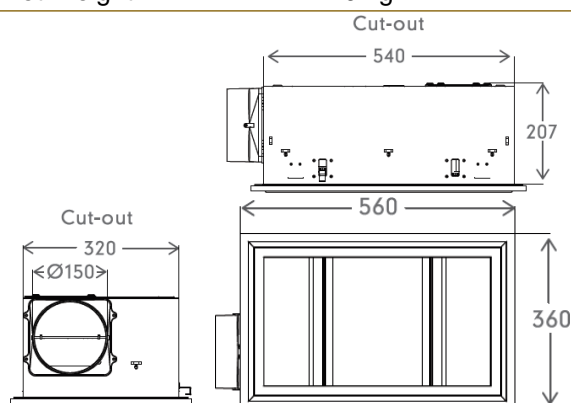


- 3 years **IN-HOME** warranty \*exclude lamps
- 2 years warranty for heat lamp
- High airflow extraction up to 500 m<sup>3</sup>/hr \*
- 1 x 800W heat lamps for instant heating
- 2 x 11W LED panel light
- Heavy duty metal housing provides durability
- Easy installation. Electrician friendly.
- Thermal safety protection
- Side ducted with draft stopper
- Cut-out template included\*\*



### PAGKAGING

Packaging Size	650 x 476 x 280 mm
Packaging	Colour box
Gross Weight	9.1 kg
Net Weight	7.9 kg



### EXHAUST FAN

Motor Type	Ball Bearing Motor
Air extraction*	500 m <sup>3</sup> /hr
Motor Power	60W
Duct Outlet Size	Ø150 mm

### INSTALLATION

Rated Input Voltage	220-240V~, 50Hz
Min Install Depth	235mm
Cut-out Size	540mm x 320 mm
Type of Connection	Hardwire
IP Rating	IP22
Optimal Performance	2.4m – 2.7m ceiling

### LIGHTING

Type	CCT LED		
Lighting Power	2 x 11W		
Light Colour (switchable)	Warm White	Neutral White	Cool White
Light Output (lumens)	3000	4000	5000

### INCLUDES

- 1 x 3-IN-1 Bathroom Solution
- 1 x 800W linear heat lamp
- 1 x 1.5m flexible aluminium duct
- 1 x 3 gang switch wall controller
- 2 x clamps for ducting
- 1 x external wall grille

### HEAT

Lamp Type	R7s Linear Heat Lamp
Lamp Wattage	1 x 800W
Colour Temp	2500K

### RECOMMENDED PARTS

Duct kit 1.5m model	DA15015D
Duct kit 3.0m model	DA15030D
R7 Heat Lamp 800W	XBH1514

SKU Model	Colour	Barcode	TUN Number
BH152ESWWH	White	9312699211225	19312699211222
BH152ESWSL	Silver	9312699211232	19312699211239
BH152ESWBK	Black	9312699211249	19312699211246

\* Manufacturer supplied data. Actual performance may vary.

\*\* This product must be installed by a licensed electrician