

# Air Transfer Kit

150MM INLINE EXHAUST FAN KIT

- Ideal for Warm/Cold Air Transfer
- Long Life Ball Bearing Motor
- Easy to Install
- Adjustable air intake/outlet vents included



LOW MED HIGH

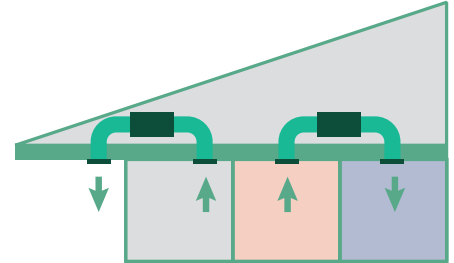


# Air Transfer Kit



## 150MM INLINE EXHAUST FAN KIT

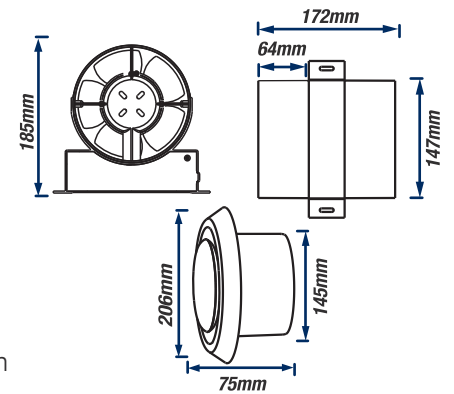
150mm Inline exhaust fan kit including modern internal fascias and 6m Aluminium Ducting.



### EXHAUST

- Air Delivery:** 210m<sup>3</sup>H<sup>\*</sup>
- Motor Power:** 25 watts
- Noise Level:** 41dB(A)
- Ball Bearing:** Yes
- Duct Outlet:** 150mm

### DIMENSIONS



### INSTALLATION

- Cut Out Size:** Ø150mm
- Power Input:** 220-240V~50Hz
- Recommended**
- Min Install Depth:** 200mm
- IP Rating:** IPX4
- Installation:** DIY Plug & Lead

### SHIPPING

- Packaging Size:** 490 x 205 x 225mm
- Gross Weight:** 2.8kg
- Carton Size:** 840 x 500 x 250mm
- Carton Weight:** 12.4kg
- Carton Qty:** 4 units

### INCLUDES

- 1 x Inline exhaust motor
- 2 x Adjustable air intake/outlet vents
- 1 x 6m Aluminium Ducting (150mm)

### AVAILABLE EXTRAS

- VAD150** 6m Alum Ducting
- VTROTIMER** 1-25min Run-on-Timer
- VTMSSENSOR** 1-20min Motion Sensor
- V150GS** 150mm Gravity Shutter external grille
- V150FG** 150mm external grille
- V150SHEG** 150mm Stainless steel outlet vent



Model	Colour	Outer Carton	EAN13 Barcode
VATK150	White	19339310006913	9 339310 006916 >



- +61 3 9775 0556
- +61 3 9775 0775
- sales@ventair.com.au

4 Capital Place, Carrum Downs Vic 3201  
www.ventair.com.au

\*Ventair is leading the Industry by ensuring all airflow data is gathered in accordance with International Industry Standard.