

atomⁱ

LED FLOODLIGHTS

50W Slim flood light

AT9819/50



Features

- Ideal for outdoor residential applications
- Supplied with integral driver
- Compact and robust design
- Three year warranty



Colour temperature

Daylight



Finish

Black and white



IP Rating

IP65 and IP44



Rated Wattage

50W

Product datasheet

Description

50W Slim flood light.

Finish



Black (BLK)



White (WH)

Product specification

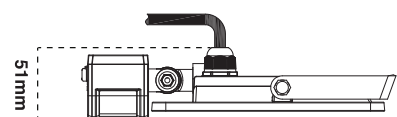
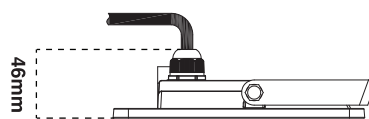
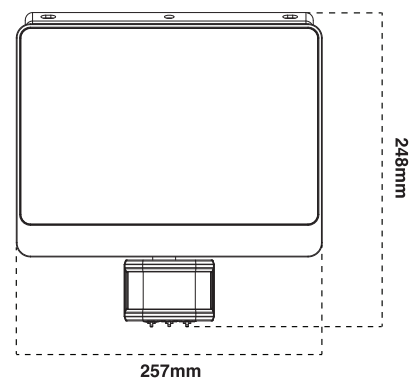
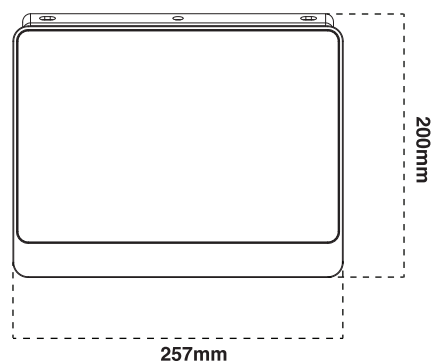
Voltage	230V~ 50Hz	
Power consumption	50W	
	Without sensor	With sensor
Light colour options	Day light (DL)	Day light (DL)
Lumen output	4000lm	4255lm
Colour temperature	5000K	5000K
Beam Angle	120°	
Dimmable	No	
Warranty	3 years	
Colour rendering index	≥ 80	
Working temperature	40°C	
IP Rating	IP65	IP44
Electrical classification	Class I	
Sensor		
Detection range	12m (at 1.8m mounting height)	
Duration time adjustment	(10±5) seconds to (4±1) minutes	
Detection circuitry	Passive infra-red (PIR)	

Product range

Code	Finish	Colour temperature
AT9819/50/BLK	Black	Daylight
AT9819/50/BLK/S	Black	Daylight
AT9819/50/WH	White	Daylight
AT9819/50/WH/S	White	Daylight

Dimensions

Wattage	Width	Height	Depth
AT9819/50/BLK	257mm	200mm	46mm
AT9819/50/BLK/S	257mm	248mm	51mm
AT9819/50/WH	257mm	200mm	46mm
AT9819/30/WH/S	257mm	248mm	51mm



atomⁱ

LED FLOODLIGHTS

30W Slim flood light

AT9819/30



Features

- Ideal for outdoor residential applications
- Supplied with integral driver
- Compact and robust design
- Three year warranty



Colour temperature

Daylight



Finish

Black and white



IP Rating

IP65 and IP44



Rated Wattage

30W

Product datasheet

Description

30W Slim flood light.

Finish



Black (BLK)



White (WH)

Product specification

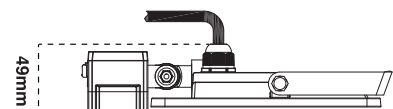
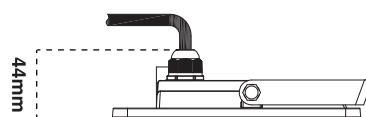
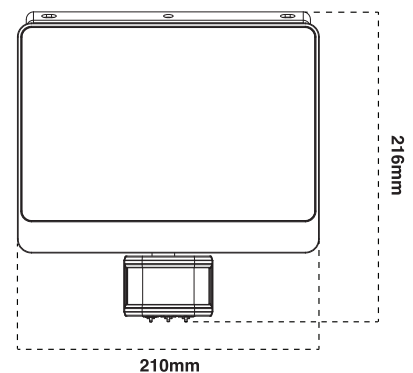
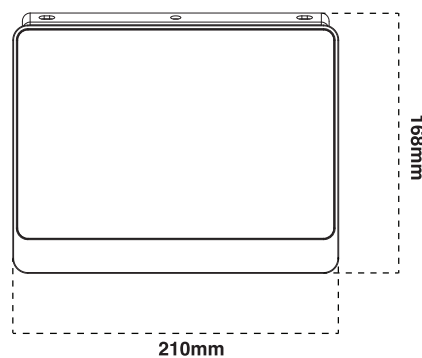
Voltage	230V~ 50Hz	
Power consumption	30W	
	Without sensor	With sensor
Light colour options	Day light (DL)	Day light (DL)
Lumen output	2320lm	2590lm
Colour temperature	5000K	5000K
Beam Angle	120°	
Dimmable	No	
Warranty	3 years	
Colour rendering index	≥ 80	
Working temperature	40°C	
IP Rating	IP65	IP44
Electrical classification	Class I	
Sensor		
Detection range	12m (at 1.8m mounting height)	
Duration time adjustment	(10±5) seconds to (4±1) minutes	
Detection circuitry	Passive infra-red (PIR)	

Product range

Code	Finish	Colour temperature
AT9819/30/BLK	Black	Daylight
AT9819/30/BLK/S	Black	Daylight
AT9819/30/WH	White	Daylight
AT9819/30/WH/S	White	Daylight

Dimensions

Wattage	Width	Height	Depth
AT9819/30/BLK	210mm	168mm	44mm
AT9819/30/BLK/S	210mm	216mm	48mm
AT9819/30/WH	210mm	168mm	44mm
AT9819/30/WH/S	210mm	216mm	48mm





LED FLOODLIGHTS

20W Slim flood light

AT9819/20



Features

- Ideal for outdoor residential applications
- Supplied with integral driver
- Compact and robust design
- Three year warranty



Colour temperature

Daylight



Finish

Black and white



IP Rating

IP65 and IP44



Rated Wattage

20W

Product datasheet

Description

20W Slim flood light.

Finish



Black (BLK)



White (WH)

Product specification

Voltage	230V~ 50Hz	
Power consumption	20W	
	Without sensor	With sensor
Light colour options	Day light (DL)	Day light (DL)
Lumen output	1835lm	1690lm
Colour temperature	5000K	5000K
Beam Angle	120°	
Dimmable	No	
Warranty	3 years	
Colour rendering index	≥ 80	
Working temperature	40°C	
IP Rating	IP65	IP44
Electrical classification	Class I	

Sensor

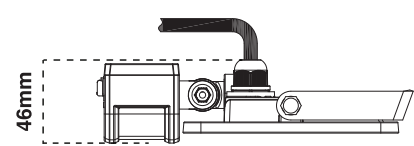
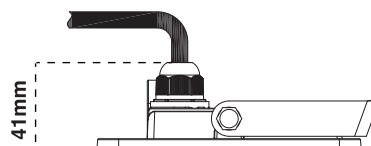
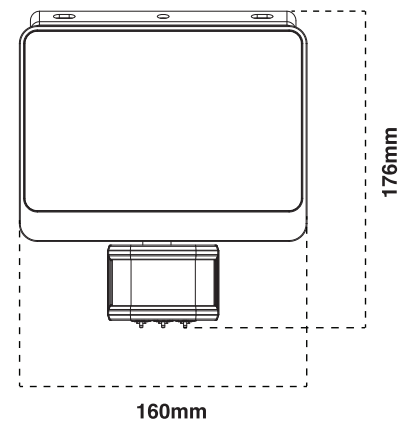
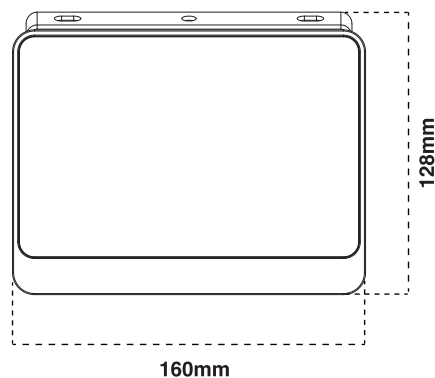
Detection range	12m (at 1.8m mounting height)
Duration time adjustment	(10±5) seconds to (4±1) minutes
Detection circuitry	Passive infra-red (PIR)

Product range

Code	Finish	Colour temperature
AT9819/20/BLK	Black	Daylight
AT9819/20/BLK/S	Black	Daylight
AT9819/20/WH	White	Daylight
AT9819/20/WH/S	White	Daylight

Dimensions

Wattage	Width	Height	Depth
AT9819/20/BLK	160mm	128mm	41mm
AT9819/20/BLK/S	160mm	176mm	46mm
AT9819/20/WH	160mm	128mm	41mm
AT9819/20/WH/S	160mm	176mm	46mm



atomⁱ

LED FLOODLIGHTS

10W Slim flood light

AT9819/10



Features

- Ideal for outdoor residential applications
- Supplied with integral driver
- Compact and robust design
- Three year warranty



Colour temperature

Daylight



Finish

Black and white



IP Rating

IP65 and IP44



Rated Wattage

10W

Product datasheet

Description

10W Slim flood light.

Finish



Black (BLK)



White (WH)

Product specification

Voltage	230V~ 50Hz	
Power consumption	10W	
	Without sensor	With sensor
Light colour options	Day light (DL)	Day light (DL)
Lumen output	910lm	860lm
Colour temperature	5000K	5000K
Beam Angle	120°	
Dimmable	No	
Warranty	3 years	
Colour rendering index	≥ 80	
Working temperature	40°C	
IP Rating	IP65	IP44
Electrical classification	Class I	
Sensor		
Detection range	12m (at 1.8m mounting height)	
Duration time adjustment	(10±5) seconds to (4±1) minutes	
Detection circuitry	Passive infra-red (PIR)	

Product range

Code	Finish	Colour temperature
AT9819/10/BLK	Black	Daylight
AT9819/10/BLK/S	Black	Daylight
AT9819/10/WH	White	Daylight
AT9819/10/WH/S	White	Daylight

Dimensions

Wattage	Width	Height	Depth
AT9819/10/BLK	120mm	99mm	36mm
AT9819/10/BLK/S	120mm	147mm	44mm
AT9819/10/WH	120mm	99mm	36mm
AT9819/10/WH/S	120mm	147mm	44mm

