

# AT9819

AT9819/50/BLK

Slim Flood Light

## Features

- Supplied with integral Driver
- Compact and robust design
- Ideal for residential



## ORDERING INFORMATION

<b>Order code</b>	12468
<b>Description</b>	50W Slim Flood Light - 5000K IP65 - Black
<b>Driver Type</b>	Fixed output
<b>Item Code</b>	AT9819/50/BLK

## MECHANICAL

<b>Adjustability</b>	Fixed
<b>Body Material</b>	Aluminium
<b>Diffuser Material</b>	Glass
<b>Product Finish</b>	Powdercoated
<b>Fitting Colour</b>	Black
<b>IC Rating</b>	Non-IC
<b>Installation Type</b>	Surface mount
<b>IP Rating</b>	IP65

## ELECTRICAL

<b>Electrical Rating</b>	Class I
<b>Input Frequency</b>	50 Hz
<b>Input voltage</b>	230Vac
In Australia the Input voltage is defined as 230Vac -6%/+10%. This effectively means that the voltage range of these products are 216Vac - 253Vac or 240V +6%	
<b>Maximum Wattage</b>	50 W
<b>Switch Type</b>	Inline
<b>Working Temp Range</b>	-20 to 45 °C

## LAMP

<b>Macadam Steps (SDCM)</b>	6-step MacAdam Ellipse
<b>Beam Angle</b>	120 °
<b>CCT Configuration</b>	Single
<b>CRI</b>	>80
<b>LED Type</b>	Diffused
<b>Number of Lamps</b>	1

## LED LIFETIME

<b>LED Lifetime</b>	30000 hrs
This is the Reported LED Lifetime in Hours based on TM-21. Atom does not list the projected or calculated LED lifetime, which is normally longer as TM-21 Addendum B explicitly states "The Calculated and Projected Lp(Dk) are not to be reported". This Lifetime refers to the life of a single LED however the system life is longer since the probability and binomial distribution of all LEDs in the system means that the average led is performing above the specification and compensates for the LEDs falling below.	

## COLOUR TEMPERATURE

<b>CCT</b>	5000 K
<b>CCT Colour</b>	Daylight
<b>System Lumens</b>	4000 lm
All photometric data has a tolerance of ±10%.	

## DRIVER

Dimmable	No
Driver Included	Yes
Integrated Driver	Yes
Driver Type	Fixed output
Wiring Type	Flying leads (3 wire)

## COMPLIANCE

**Daily Use** 5 hrs

The Daily Use is the recommended time required to meet the product's design life. Installations can exceed this time, however the product design life will be reduced proportionally.

<b>Standards</b>	AS/NZS 60598.1
	AS/NZS 60598.2.5
	AS/NZS 61347.1
	AS/NZS 61347.2.13
	AS CISPR 15

## WARRANTY

<b>Commercial Use Warranty</b>	3 RTB (Total 3 Years)
<b>Domestic Use Warranty</b>	3 (Yr) RTB
<b>Operational Lifetime</b>	30000 hrs
<b>VIP Warranty</b>	2 Onsite, 3 RTB (Total 5 Years)

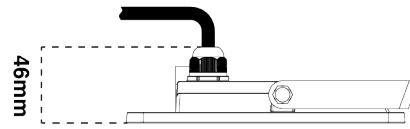
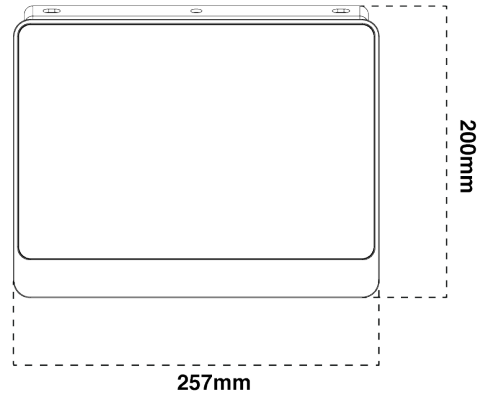
VIP warranty is available to registered users and is subjected to additional terms and conditions.

## DIMENSIONS

<b>Product Height</b>	46 mm
<b>Product Length</b>	257 mm
<b>Product Width</b>	200 mm

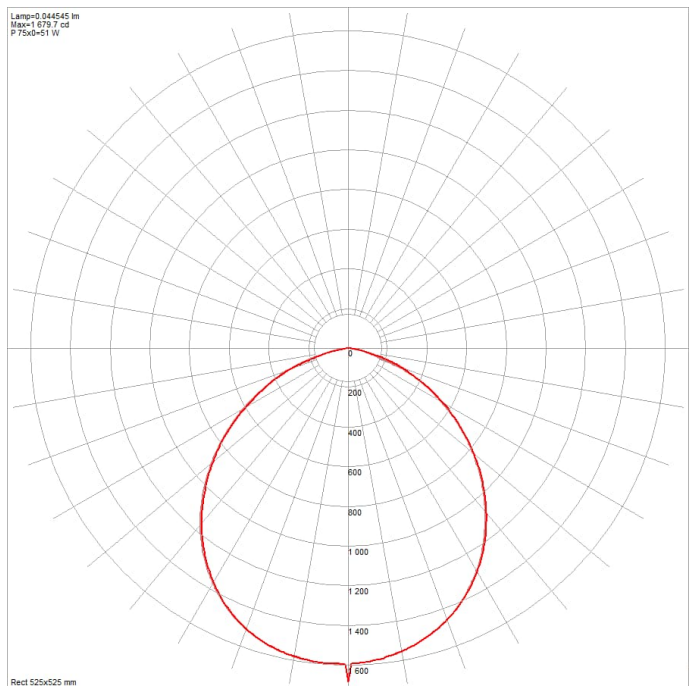
## LINE DRAWINGS

### AT9819/50



## PHOTOMETRICS

### AT9819/50/BLK



# AT9819

AT9819/10/BLK

Slim Flood Light

## Features

- Supplied with integral Driver
- Compact and robust design
- Ideal for residential



## ORDERING INFORMATION

<b>Order code</b>	12038
<b>Description</b>	10W Slim Flood Light - 5000K IP65 - Black
<b>Driver Type</b>	Fixed output
<b>Item Code</b>	AT9819/10/BLK

## MECHANICAL

<b>Adjustability</b>	Fixed
<b>Body Material</b>	Aluminium
<b>Diffuser Material</b>	Glass
<b>Product Finish</b>	Powdercoated
<b>Fitting Colour</b>	Black
<b>IC Rating</b>	Non-IC
<b>Installation Type</b>	Surface mount
<b>IP Rating</b>	IP65

## ELECTRICAL

<b>Electrical Rating</b>	Class I
<b>Input Frequency</b>	50 Hz
<b>Input voltage</b>	230Vac
In Australia the Input voltage is defined as 230Vac -6%/+10%. This effectively means that the voltage range of these products are 216Vac - 253Vac or 240V +6%	
<b>Maximum Wattage</b>	10 W
<b>Switch Type</b>	Inline
<b>Working Temp Range</b>	-20 to 45 °C

## LAMP

<b>Beam Angle</b>	120 °
<b>CCT Configuration</b>	Single
<b>CRI</b>	>80
<b>LED Type</b>	Diffused
<b>Number of Lamps</b>	1

## LED LIFETIME

<b>LED Lifetime</b>	30000 hrs
This is the Reported LED Lifetime in Hours based on TM-21. Atom does not list the projected or calculated LED lifetime, which is normally longer as TM-21 Addendum B explicitly states "The Calculated and Projected Lp(Dk) are not to be reported". This Lifetime refers to the life of a single LED however the system life is longer since the probability and binomial distribution of all LEDs in the system means that the average led is performing above the specification and compensates for the LEDs falling below.	

## COLOUR TEMPERATURE

<b>CCT</b>	5000 K
<b>CCT Colour</b>	Daylight
<b>System Lumens</b>	910 lm
All photometric data has a tolerance of ±10%.	

## DRIVER

<b>Dimmable</b>	No
<b>Driver Included</b>	Yes
<b>Integrated Driver</b>	Yes
<b>Driver Type</b>	Fixed output

## COMPLIANCE

**Daily Use** 5 hrs

The Daily Use is the recommended time required to meet the product's design life. Installations can exceed this time, however the product design life will be reduced proportionally.

**Standards** AS/NZS 60598.1  
AS/NZS 60598.2.5  
AS/NZS 61347.1  
AS/NZS 61347.2.13  
AS CISPR 15

## WARRANTY

<b>Commercial Use Warranty</b>	3 RTB (Total 3 Years)
<b>Domestic Use Warranty</b>	3 (Yr) RTB
<b>Operational Lifetime</b>	30000 hrs
<b>VIP Warranty</b>	2 Onsite, 3 RTB (Total 5 Years)

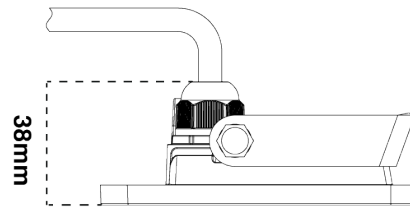
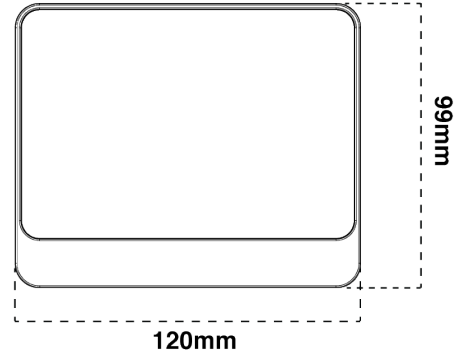
VIP warranty is available to registered users and is subjected to additional terms and conditions.

## DIMENSIONS

<b>Product Height</b>	38 mm
<b>Product Length</b>	120 mm
<b>Product Width</b>	99 mm

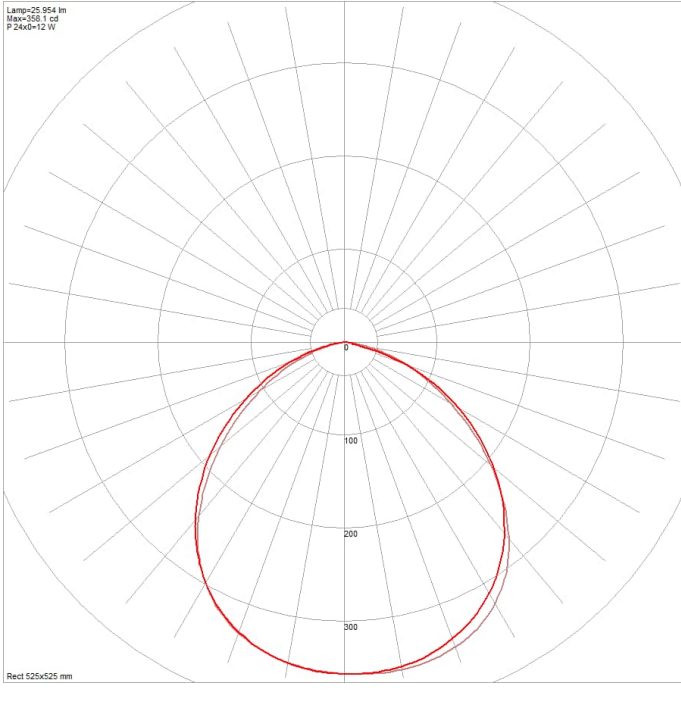
## LINE DRAWINGS

AT9819/10



## PHOTOMETRICS

## AT9819/10/BLK



# AT9819

AT9819/30/BLK

Slim Flood Light

## Features

- Supplied with integral Driver
- Compact and robust design
- Ideal for residential



## ORDERING INFORMATION

<b>Order code</b>	12340
<b>Description</b>	30W Slim Flood Light - 5000K IP65 - Black
<b>Driver Type</b>	Fixed output
<b>Item Code</b>	AT9819/30/BLK

## MECHANICAL

<b>Adjustability</b>	Fixed
<b>Body Material</b>	Aluminium
<b>Diffuser Material</b>	Glass
<b>Product Finish</b>	Powdercoated
<b>Fitting Colour</b>	Black
<b>IC Rating</b>	Non-IC
<b>Installation Type</b>	Surface mount
<b>IP Rating</b>	IP65

## ELECTRICAL

<b>Electrical Rating</b>	Class I
<b>Input Frequency</b>	50 Hz
<b>Input voltage</b>	230Vac
In Australia the Input voltage is defined as 230Vac -6%/+10%. This effectively means that the voltage range of these products are 216Vac - 253Vac or 240V +6%	
<b>Maximum Wattage</b>	30 W
<b>Switch Type</b>	Inline
<b>Working Temp Range</b>	-20 to 45 °C

## LAMP

<b>Beam Angle</b>	120 °
<b>CCT Configuration</b>	Single
<b>CRI</b>	>80
<b>LED Type</b>	Diffused
<b>Number of Lamps</b>	1

## LED LIFETIME

<b>LED Lifetime</b>	30000 hrs
This is the Reported LED Lifetime in Hours based on TM-21. Atom does not list the projected or calculated LED lifetime, which is normally longer as TM-21 Addendum B explicitly states "The Calculated and Projected Lp(Dk) are not to be reported". This Lifetime refers to the life of a single LED however the system life is longer since the probability and binomial distribution of all LEDs in the system means that the average led is performing above the specification and compensates for the LEDs falling below.	

## COLOUR TEMPERATURE

<b>CCT</b>	5000 K
<b>CCT Colour</b>	Daylight
<b>System Lumens</b>	2320 lm
All photometric data has a tolerance of $\pm 10\%$ .	

## DRIVER

<b>Dimmable</b>	No
<b>Driver Included</b>	Yes
<b>Integrated Driver</b>	Yes
<b>Driver Type</b>	Fixed output

## COMPLIANCE

**Daily Use** 5 hrs

The Daily Use is the recommended time required to meet the product's design life. Installations can exceed this time, however the product design life will be reduced proportionally.

**Standards** AS/NZS 60598.1  
AS/NZS 60598.2.5  
AS/NZS 61347.1  
AS/NZS 61347.2.13  
AS CISPR 15

## WARRANTY

**Commercial Use Warranty** 3 RTB (Total 3 Years)

**Domestic Use Warranty** 3 (Yr) RTB

**Operational Lifetime** 30000 hrs

**VIP Warranty** 2 Onsite, 3 RTB (Total 5 Years)

VIP warranty is available to registered users and is subjected to additional terms and conditions.

## DIMENSIONS

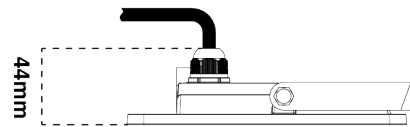
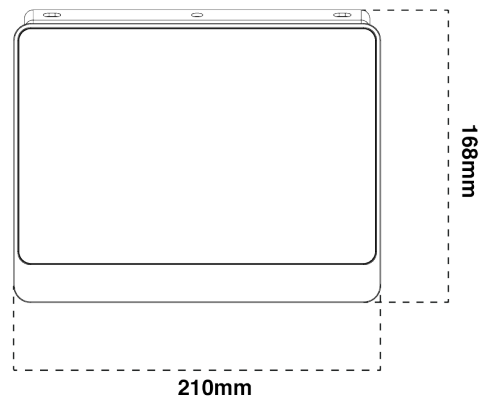
**Product Height** 44 mm

**Product Length** 210 mm

**Product Width** 168 mm

## LINE DRAWINGS

AT9819/30



## PHOTOMETRICS

## AT9819/30/BLK

