

atomⁱ

LED FLOODLIGHTS

100W, 150W and 200W commercial LED Floodlight

AT9814



Features

- Ideal for sport venues, car parks and outdoor applications
- Tempered Glass
- Quick installation
- Symmetrical light distribution



Colour temperature
Daylight



IK Rating
IK08



IP Rating
IP66



Warranty
3 year warranty

Product datasheet

Description

100W, 150W and 200W commercial LED Floodlight.

Finish

 Black (BLK)

Product specification

Voltage	220-240V~ 50/60Hz		
Power consumption	100W	150W	200W
Lumen output	14410lm	22235lm	29555lm
Light colour options	Daylight		
Colour temperature	5000K		
Colour rendering index	>70		
Sdcm	<4		
Beam angle	120°		
Dimmable	No		
Working temperature	-30°C – 45°C		
IP Rating	IP66		
IK Rating	IK08		
Electrical classification	Class I		
Lifetime	L70 B10 (9K) >54,000 Hours		
Max. daily usage	20 Hours		
Warranty	3 years		

Product range

Code	SKU	Wattage
AT9814/100	17957	100W
AT9814/150	17958	150W
AT9814/200	17959	200W

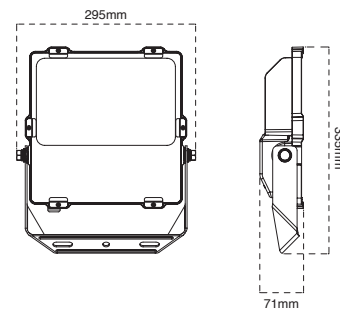
Accessories

Code	Description	Finish	Material
AT9812/PMB	Pole mounting bracket	Black	Aluminium alloy

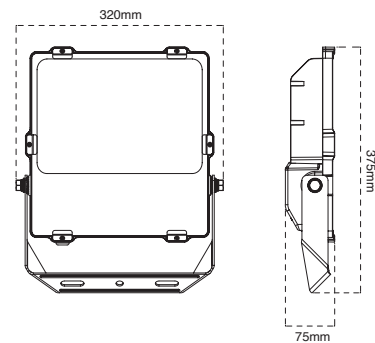
Dimensions

Wattage	Height	Width	Depth	Weight
100W	335mm	295mm	71mm	3.7kg
150W	375mm	320mm	75mm	4.8kg
200W	400mm	345mm	78mm	5.8kg

100W



150W



200W

