

atomⁱ

LED DOWNLIGHT

7W LED Downlight with dimmable integral driver and flush lens

AT9038/FLUSH/TRI

TRI-COLOUR 

FLUSH LENS



Features

Seamless look
Ideal for residential, retail, showroom
and decorative lighting applications
Built-in driver
Three year warranty



Colour temperature

Cool white, warm white
and daylight



Compliance

IC-4 rated according to
AS/NZS 60598.2.2:2016



Dimmable

On selected dimmers



IP Rating

IP54

Product datasheet

Description

7W LED Downlight with dimmable integral driver -
70mm Cut-out – White – Flush lens Tri-Colour.

Finish

 White (WHT)

Product Specification

Voltage	230V ~ 50Hz		
Power consumption	7W		
Light colour options	Warm white	Cool white	Daylight
Lumen output	560lm	650lm	600lm
Colour temperature	3000K	4000K	5700K
Beam angle	90°		
Dimmable	Yes*		
Warranty	3 Years		
Working temperature	5°C – 45°C		
IP Rating	IP54 (Front face only)		
IC Rating	IC-4		
Electrical classification	Class II		
Compliance	AS/NZS 60598.2.2 AS/NZS 61347.2.13 AS/NZS CISPR15		

*Dimmable on selected dimmers. For additional information please visit our website.

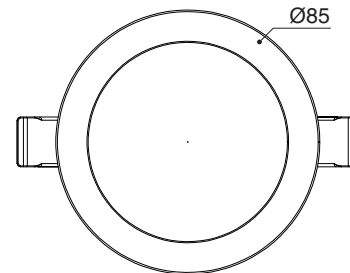
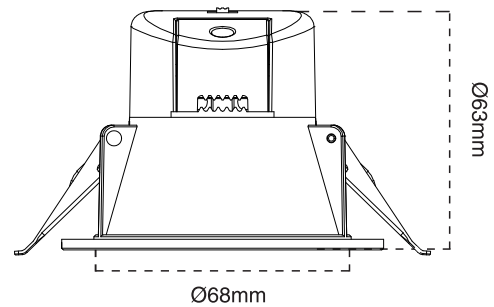
Product range

Code	Colour temperature	Finish
AT9038/WH/F/TRI	Tri-Colour*	White

*Selectable colour temperature, cool white, warm white or daylight.

Dimensions

Diameter	Height	Cut out
Ø85mm	63mm	Ø70mm



Cut-out - Ø70mm