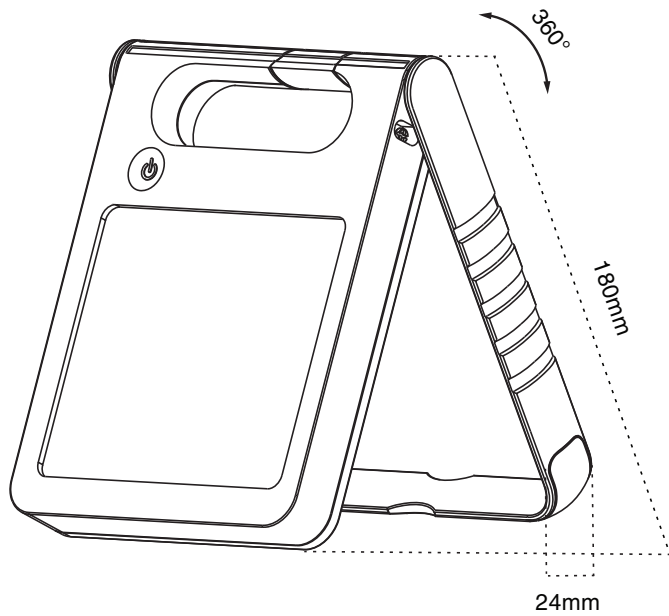


atom

INSTALLATION SHEET LED PORTABLE PADLIGHT AT6001

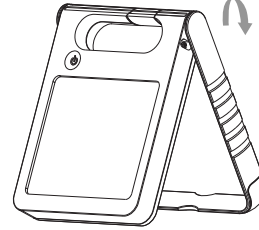
2.4W SOLAR LED Portable Padlight - IP54 200lm 4000K



Installation

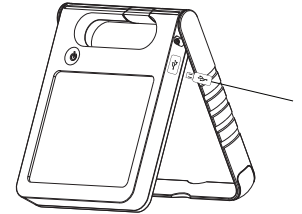
Read instructions and check you have all the tools and accessories to complete the installation correctly.

①



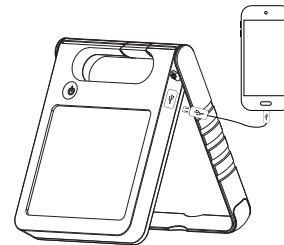
Charge by sunlight

②



or charge by USB

③

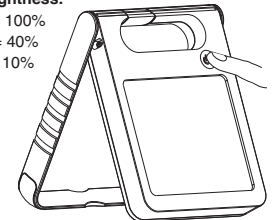


Or charge to mobile via USB port

④

Brightness.

H = 100%
M = 40%
L = 10%



Please charge the lamp 30 minutes before illuminating it

Product Specification

LED Wattage	2.4W
Light Colour Options	Cool White (CW)
Lumen Output	200lm
Colour Temperature	4000K
Dimmable	Yes
Warranty	1Year*
IP Rating	IP54
Electrical Classification	Class III

*(Batteries not included)

IMPORTANT INFORMATION

The LED light source in this worklight **CANNOT BE REPLACED**.
Please replace the worklight if the LED is broken.
Clean this fitting with a soft damp cloth. Do not use any chemical or abrasive cleaners.
Do not jet wash as the luminaire is not rated for high pressure jets of water and maybe damaged.



This product may contain substances that can be hazardous to the environment if not disposed of properly. Electrical and electronic equipment should never be disposed of with general household waste but must be separated of its correct treatment and recovery. Where possible recycle your packaging. Please keep these instructions safe for future reference.

Warranty

Atom products are distributed in Australia by Atom Pty Ltd (Atom). The Australian Consumer Law as well as other Australian laws guarantee certain conditions, warranties and undertakings, and give you other legal rights, in relation to the quality and fitness for purpose of Atom products sold in Australia.

In Australia, our goods come with guarantees that cannot be excluded under the Australian Consumer Law. You are entitled to a replacement or refund for a major failure and compensation for any other reasonably foreseeable loss or damage. You are also entitled to have the goods repaired or replaced if the goods fail to be of acceptable quality and the failure does not amount to a major failure. What constitutes a major failure is set out in the Australian Consumer Law.

Nothing in this Warranty purports to modify or exclude the conditions, warranties and undertakings, and other legal rights, under the Australian Competition and Consumer Act and other Australian laws. Atom products are warranted in Australia for a period specified on packaging from the date of delivery of the product, provided that the products are properly stored, installed, used and maintained in accordance with the instructions contained within their manual.

Products that have been altered in any way or used other than in accordance with their instructions are not covered by this Warranty.

This Warranty is not transferable and is valid only in the hands of the purchaser of the product. The warranty does not cover Atom products other than those purchased from Atom. Proof of purchase must be provided to Atom with any warranty claim. Atom recommends that the purchaser attaches their proof of purchase to their product manual.

If you wish to claim under this Warranty, you must, at your own expense, return the product or that part of the product which you believe is defective, and proof of original purchase, your name, address and telephone number and a certificate installation or other document required by the law for the installation of electrical products in the place in which the product was installed, to Atom at the address above within the warranty period from the date of purchase.

Please note that the Warranty does not cover removal or re-installation of the product or that part of the product which you believe is defective.

Atom's total liability under this Warranty is limited to the cost of repair or replacement of the faulty product. Atom may satisfy its obligations under this Warranty in full by repair or replacement of a faulty product. This Warranty does not apply to consumable items such as lamps or batteries or other items that can be classified as consumable.

For the avoidance of any doubt, any and all warranties or conditions which are not guaranteed under the Australian Competition and Consumer Act or the Australian Competition and Consumer Regulations 2010 and which are not expressly included in this Warranty as additional warranties or conditions are excluded.

This Warranty does not cover loss or damage caused by wear and tear, misuse, incorrect installation or operation, failure to clean and maintain, incorrect voltage or non-authorized electrical connections, adverse external conditions (such as power surges and dips, acts of God, exposure to heat, corrosion, insect or vermin infestation), use of non-authorized or defective parts or globes, or to items that have been repaired other than by Atom or a repairer approved by Atom.

Atom Lighting Pty Ltd

Atom Lighting: 17 Telford Place, Arundel, QLD 4214

Ph. 07 5537 1022

Fax. 07 5537 1055

For further information please visit our website atomlighting.com.au

or email us at sales@atomlighting.com.au

Due to changes in industry standards and Atom's policy of continual product development, product specifications are subject to change without notice.

Images are for illustrative purposes only

Atom Lighting is an Evolt Company.

For more information please visit our website evolt.com.au

a brand of | **evolt**

1119705_V2.2