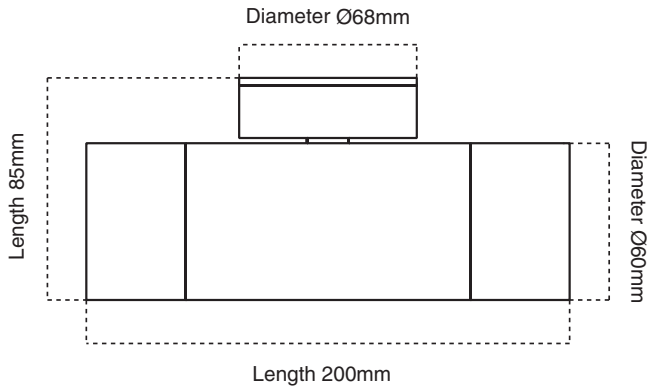


atom

INSTALLATION SHEET WALL EXTERIOR LIGHT AT5001/AND/LED

12V LED Anodised Aluminium Up/Down Light.



Product Specification

Voltage	12V
Power Consumption	2x3.5W
Light Colour Options	Cool White (CW)
Lumen Output	2x250lm
Colour Temperature	4000K
Beam Angle	36°
Dimmable	No
Warranty	3 Years
Working Temperature	-20°C – +40°C
IP Rating	IP65
Electrical Classification	Class III
Lamp Type	MR16

Product Range

Atom Code	Order Code	Finish
AT5001/316/LED	15456	Stainless Steel 316L
AT5001/AND/LED	15350	Anodised Aluminium
AT5001/AND/BLK/LED	15206	Anodised Aluminium Black

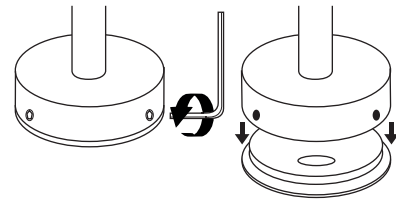
IMPORTANT INFORMATION

- Luminaires must be installed and fitted by a qualified electrician ensuring the installation complies to the current wiring regulations.
- During use, the light will become **EXTREMELY HOT**. DO NOT MOUNT IN A POSITION WHERE THE FITTING CAN BE EASILY ACCESSED BY CHILDREN OR THE FIRM.
- Never attempt to touch the light, or replace a globe when the unit is ON. Always allow the fitting and globe to cool to ambient temperature before carrying out any maintenance.
- Always switch off the mains supply before installation or servicing.
- When drilling into walls and ceilings, care must be taken to ensure you do not damage electrical wiring and or other hiding utilities.

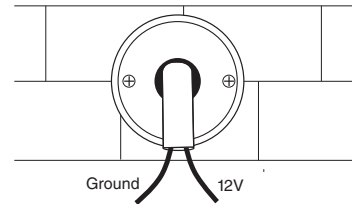
Installation

This unit is suitable for connection to a 12V-power supply. **NEVER CONNECT DIRECTLY TO MAINS POWER WITHOUT THE USE OF A TRANSFORMER.**

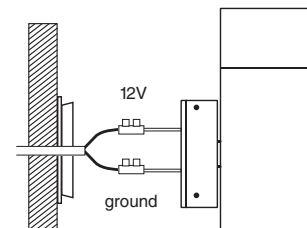
- Wiring of a 12V transformer directly to 240V mains MUST be carried out by a licensed electrical contractor.
- Once location of light is selected, connect the light fitting to the output of the transformer, or to cable running from the transformer with a suitable weather proof connector (not included)
- Ensure transformer is connected and positioned in accordance with manufacturers instructions.
- Care must be taken to ensure that unit is not located too far from the transformer to avoid voltage drop. For advice on suitable cable length, consult a local electrical supplier or contractor.



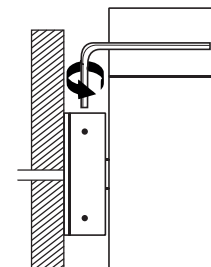
Remove the three grub screws from the side of the baseplate



Securely fix the underside cover in position on the wall



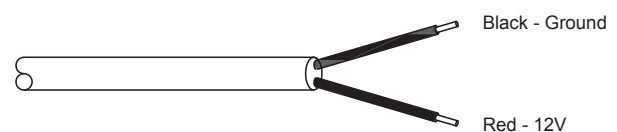
Connect the transformer to the fitting.



Place fitting over underside cover and securely replace grub screws.

Wiring Details

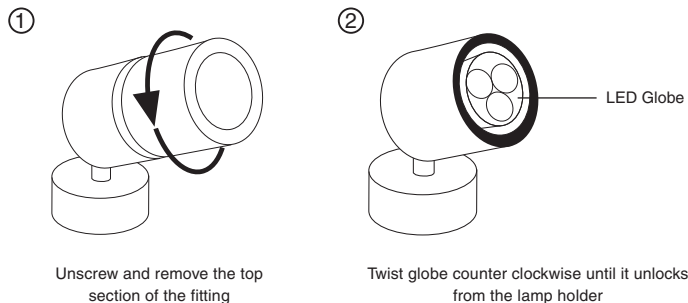
CLASS III WIRING DETAILS



Replacing the LED Globe

Ensure fitting is switched OFF while replacing globe. These fittings are designed to use **3.5W LED MR16 BULBS ONLY**.

1. The bulb is accessed by simply unscrewing and removing the top section of the fitting. Ensure that the silicone O-ring remains in place and is in good condition.
2. Twist globe counter clockwise until it unlocks from the lamp holder. Discard old globe thoughtfully. Reverse the process to fit new globe and replace the top section of the fitting.



Warranty

Atom products are distributed in Australia by Atom Pty Ltd (Atom). The Australian Consumer Law as well as other Australian laws guarantee certain conditions, warranties and undertakings, and give you other legal rights, in relation to the quality and fitness for purpose of Atom products sold in Australia.

In Australia, our goods come with guarantees that cannot be excluded under the Australian Consumer Law. You are entitled to a replacement or refund for a major failure and compensation for any other reasonably foreseeable loss or damage. You are also entitled to have the goods repaired or replaced if the goods fail to be of acceptable quality and the failure does not amount to a major failure. What constitutes a major failure is set out in the Australian Consumer Law.

Nothing in this Warranty purports to modify or exclude the conditions, warranties and undertakings, and other legal rights, under the Australian Competition and Consumer Act and other Australian laws. Atom products are warranted in Australia for a period specified on packaging from the date of delivery of the product, provided that the products are properly stored, installed, used and maintained in accordance with the instructions contained within their manual.

Products that have been altered in any way or used other than in accordance with their instructions are not covered by this Warranty.

This Warranty is not transferable and is valid only in the hands of the purchaser of the product. The warranty does not cover Atom products other than those purchased from Atom. Proof of purchase must be provided to Atom with any warranty claim. Atom recommends that the purchaser attaches their proof of purchase to their product manual.

If you wish to claim under this Warranty, you must, at your own expense, return the product or that part of the product which you believe is defective, and proof of original purchase, your name, address and telephone number and a certificate installation or other document required by the law for the installation of electrical products in the place in which the product was installed, to Atom at the address above within the warranty period from the date of purchase.

Please note that the Warranty does not cover removal or re-installation of the product or that part of the product which you believe is defective.

Atom's total liability under this Warranty is limited to the cost of repair or replacement of the faulty product. Atom may satisfy its obligations under this Warranty in full by repair or replacement of a faulty product. This Warranty does not apply to consumable items such as lamps or batteries or other items that can be classified as consumable.

For the avoidance of any doubt, any and all warranties or conditions which are not guaranteed under the Australian Competition and Consumer Act or the Australian Competition and Consumer Regulations 2010 and which are not expressly included in this Warranty as additional warranties or conditions are excluded.

This Warranty does not cover loss or damage caused by wear and tear, misuse, incorrect installation or operation, failure to clean and maintain, incorrect voltage or non-authorized electrical connections, adverse external conditions (such as power surges and dips, acts of God, exposure to heat, corrosion, insect or vermin infestation), use of non-authorized or defective parts or globes, or to items that have been repaired other than by Atom or a repairer approved by Atom.

1535005_V2.1

Atom Lighting Pty Ltd

Atom Lighting: 17 Telford Place, Arundel, QLD 4214

Ph. 07 5537 1022

Fax. 07 5537 1055

For further information please visit our website atomlighting.com.au or email us at sales@atomlighting.com.au

Due to changes in industry standards and Atom's policy of continual product development, product specifications are subject to change without notice.

Images are for illustrative purposes only

Atom Lighting is an Evolt Company.

For more information please visit our website evolt.com.au

a brand of | **evolt**