



# LED TRACK LIGHTING

10W Track lighting spots, kits and accessories

AT1107



## Features

- Ideal for residential, retail, showroom and decorative lighting applications
- Supplied with dimmable LED driver
- Flexible and adaptable solution
- Complete range of accessories



### Colour temperature

Cool white and warm white



### Dimmable

On selected dimmers



### Finish

Black and White



### Warranty

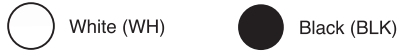
Three year warranty

## Product datasheet

### Description

10W LED Dimmable track mounted adjustable spotlights.

### Finishes



### Product specification

<b>Voltage</b>	230V~ 50Hz	
<b>Power consumption</b>	10W	
<b>Light colour options</b>	Warm white	Cool white
<b>Lumen Output</b>	900lm*	950lm**
<b>Colour temperature</b>	3000K	4000K
<b>Colour rendering index</b>	>80	
<b>Beam angle</b>	60°	
<b>Dimmable</b>	Yes	
<b>Warranty</b>	3 years	
<b>Working Temperature</b>	-20° – 45°C	
<b>IP Rating</b>	IP20	
<b>Electrical classification</b>	Class I	

\*White finish (3000K): 900lm. Black finish (3000K): 810lm.

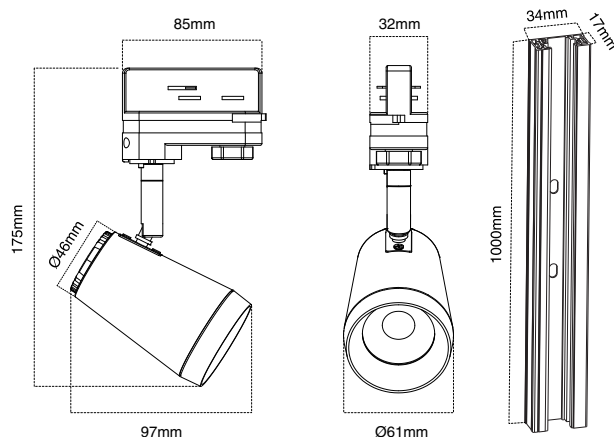
\*\*White finish (4000K): 950lm. Black finish (4000K): 855lm.

### Product range

#### Track Lights

Code	Finish	Lumens	Colour temperature
AT1107/BLK/WW	Black	810lm	Warm white
AT1107/BLK/CW	Black	855lm	Cool white
AT1107/WH/WW	White	900lm	Warm white
AT1107/WH/CW	White	950lm	Cool white

#### Track kit



### Product range continued

#### Accessories

Code	Finish	Description
AT1100/BLK/1M	Black	3 wire - Track 1m aluminium alloy
AT1100/BLK/2M	Black	3 wire - Track 2m aluminium alloy
AT1100/BLK/BEND	Black	3 wire - Bendable joiner
AT1100/BLK/CF	Black	3 wire - Centre feed
AT1100/BLK/DEAD	Black	3 wire - Dead end
AT1100/BLK/LIVE	Black	3 wire - Live end feeder
AT1100/BLK/RA	Black	3 wire - Right angle - Left
AT1100/BLK/RAR	Black	3 wire - Right angle - Right
AT1100/BLK/STR	Black	3 wire - Straight joiner
AT1100/BLK/T	Black	3 wire - T joiner
AT1100/BLK/X	Black	3 wire - X joiner
AT1100/WH/1M	White	3 wire - Track 1m aluminium alloy
AT1100/WH/2M	White	3 wire - Track 2m aluminium alloy
AT1100/WH/BEND	White	3 wire - Bendable joiner
AT1100/WH/CF	White	3 wire - Centre feed
AT1100/WH/DEAD	White	3 wire - Dead end
AT1100/WH/LIVE	White	3 wire - Live end feeder
AT1100/WH/RA	White	3 wire - Right angle - Left
AT1100/WH/RAR	White	3 wire - Right angle - Right
AT1100/WH/STR	White	3 wire - Straight joiner
AT1100/WH/T	White	3 wire - T joiner
AT1100/WH/X	White	3 wire - X joiner

#### Track Kits

Code	Contents
AT1107/WH/WW/KIT	1 x AT1100/WH/1M + 2 x AT1107/WH/WW
AT1107/WH/CW/KIT	1 x AT1100/WH/1M + 2 x AT1107/WH/CW

### Dimensions

Description	Width	Height	Depth
Track mounted adjustable spotlight	61mm	175mm	97mm
3 wire - Track 1m aluminium alloy	1000mm	17mm	34mm
3 wire - Track 2m aluminium alloy	2000mm	17mm	34mm

#### Accessories

