

Last modification 2022-10-30

## ADAM TL-BK 9329501031728



Table lamps can be added to a room as decorative or functional pieces of lighting, complementing and enhancing the style of a room and playing a big part in setting the lighting ambiance through the size and thickness of the shade and strength of the bulb.

Create a warm and welcoming atmosphere in your home with a stylish table lamp. Whether for your loungeroom or for decoration, the Adam table lamp by Telbix Australia will complement your room without competing with it.

### Overview

<b>Family name</b>	Adam
<b>Categories</b>	Table Lamps
<b>This item includes</b>	Shade
<b>Shade Shape</b>	Drum Tapered
<b>Switch</b>	Inline Switch
<b>Usage</b>	Indoor Lighting,Trade Selection

### Color / Material

<b>Fixture Color</b>	Black,Chrome
<b>Fixture Finish</b>	Polished
<b>Fixture Material</b>	Metal,Fabric
<b>Shade Color</b>	Black
<b>Shade Material</b>	Fabric,Plastic
<b>Base Color</b>	Chrome
<b>Base Material</b>	Metal
<b>Cable Color</b>	Black
<b>Cable Material</b>	PVC

### Size

<b>Fixture Diameter (cm)</b>	25.0
<b>Fixture Height (cm)</b>	30.0
<b>Base Diameter (cm)</b>	15.0
<b>Shade Top (cm)</b>	21.0
<b>Shade Bottom (cm)</b>	25.0
<b>Shade Height (cm)</b>	18.5
<b>Cable Length (cm)</b>	180 (30+Inline Switch+150)

All representations within this document are subject to copyright.ELECTRICAL INSTALLATIONS MUST BE PERFORMED BY A QUALIFIED ELECTRICAL CONTRACTOR AND INSTALLED IN ACCORDANCE WITH AS/NZS 3000.  
NOTE : All images , descriptions and dimensions are indicative. Please check latest version of item detail on Telbix website prior to ordering or installation.

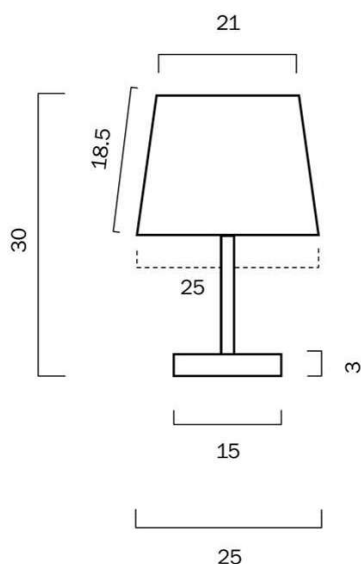
## Specification

<b>Voltage Input</b>	240V
<b>Wattage (max)</b>	40
<b>Globe Type</b>	E27
<b>Globe / Light Source qty</b>	1
<b>Globe / Light Source included</b>	No
<b>Dimmable</b>	Globe Dependant
<b>Surge Protection</b>	No
<b>Electrical Protection</b>	CLASS II - DOUBLE INSULATED, EARTH NOT REQUIRED
<b>IP rating</b>	IP20
<b>Lead and Plug</b>	Yes
<b>Approvals</b>	RCM
<b>Assembly Required</b>	Yes
<b>Box Contents</b>	Instruction
<b>Care Instructions</b>	Do not use strong liquid cleaners,Wipe clean with a dry cloth
<b>Replacement Warranty</b>	*3 Years

## Barcode

**GTIN** 9329501031728

## Image -dimensions







Last modification

2022-10-30

## ADAM TL-VN 9329501031759



Table lamps can be added to a room as decorative or functional pieces of lighting, complementing and enhancing the style of a room and playing a big part in setting the lighting ambiance through the size and thickness of the shade and strength of the bulb.

Create a warm and welcoming atmosphere in your home with a stylish table lamp. Whether for your loungeroom or for decoration, the Adam table lamp by Telbix Australia will complement your room without competing with it.

### Overview

<b>Family name</b>	Adam
<b>Categories</b>	Table Lamps
<b>This item includes</b>	Shade
<b>Shade Shape</b>	Drum Tapered
<b>Switch</b>	Inline Switch
<b>Usage</b>	Indoor Lighting,Trade Selection

### Color / Material

<b>Fixture Color</b>	Chrome,Vanilla
<b>Fixture Finish</b>	Polished
<b>Fixture Material</b>	Metal,Fabric
<b>Shade Color</b>	Vanilla
<b>Shade Material</b>	Fabric,Plastic
<b>Base Color</b>	Chrome
<b>Base Material</b>	Metal
<b>Cable Color</b>	Black
<b>Cable Material</b>	PVC

### Size

<b>Fixture Diameter (cm)</b>	25.0
<b>Fixture Height (cm)</b>	30.0
<b>Base Diameter (cm)</b>	15.0
<b>Shade Top (cm)</b>	21.0
<b>Shade Bottom (cm)</b>	25.0
<b>Shade Height (cm)</b>	18.5
<b>Cable Length (cm)</b>	180 (30+Inline Switch+150)

All representations within this document are subject to copyright.ELECTRICAL INSTALLATIONS MUST BE PERFORMED BY A QUALIFIED ELECTRICAL CONTRACTOR AND INSTALLED IN ACCORDANCE WITH AS/NZS 3000.  
NOTE : All images , descriptions and dimensions are indicative. Please check latest version of item detail on Telbix website prior to ordering or installation.

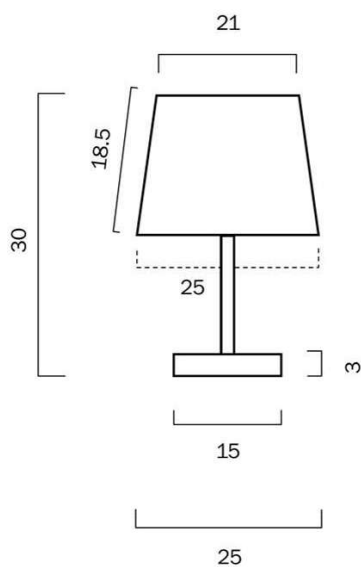
## Specification

<b>Voltage Input</b>	240V
<b>Wattage (max)</b>	40
<b>Globe Type</b>	E27
<b>Globe / Light Source qty</b>	1
<b>Globe / Light Source included</b>	No
<b>Dimmable</b>	Globe Dependant
<b>Surge Protection</b>	No
<b>Electrical Protection</b>	CLASS II - DOUBLE INSULATED, EARTH NOT REQUIRED
<b>IP rating</b>	IP20
<b>Lead and Plug</b>	Yes
<b>Approvals</b>	RCM
<b>Assembly Required</b>	Yes
<b>Box Contents</b>	Instruction
<b>Care Instructions</b>	Do not use strong liquid cleaners,Wipe clean with a dry cloth
<b>Replacement Warranty</b>	*3 Years

## Barcode

**GTIN** 9329501031759

## Image -dimensions





Last modification

2022-10-30

## ADAM TL-WH 9329501031766



Table lamps can be added to a room as decorative or functional pieces of lighting, complementing and enhancing the style of a room and playing a big part in setting the lighting ambiance through the size and thickness of the shade and strength of the bulb.

Create a warm and welcoming atmosphere in your home with a stylish table lamp. Whether for your loungeroom or for decoration, the Adam table lamp by Telbix Australia will complement your room without competing with it.

### Overview

<b>Family name</b>	Adam
<b>Categories</b>	Table Lamps
<b>This item includes</b>	Shade
<b>Shade Shape</b>	Drum Tapered
<b>Switch</b>	Inline Switch
<b>Usage</b>	Indoor Lighting,Trade Selection

### Color / Material

<b>Fixture Color</b>	Chrome,White
<b>Fixture Finish</b>	Polished
<b>Fixture Material</b>	Metal,Fabric
<b>Shade Color</b>	White
<b>Shade Material</b>	Fabric,Plastic
<b>Base Color</b>	Chrome
<b>Base Material</b>	Metal
<b>Cable Color</b>	Black
<b>Cable Material</b>	PVC

### Size

<b>Fixture Diameter (cm)</b>	25.0
<b>Fixture Height (cm)</b>	30.0
<b>Base Diameter (cm)</b>	15.0
<b>Shade Top (cm)</b>	21.0
<b>Shade Bottom (cm)</b>	25.0
<b>Shade Height (cm)</b>	18.5
<b>Cable Length (cm)</b>	180 (30+Inline Switch+150)

All representations within this document are subject to copyright.ELECTRICAL INSTALLATIONS MUST BE PERFORMED BY A QUALIFIED ELECTRICAL CONTRACTOR AND INSTALLED IN ACCORDANCE WITH AS/NZS 3000.  
NOTE : All images , descriptions and dimensions are indicative. Please check latest version of item detail on Telbix website prior to ordering or installation.



## Specification

<b>Voltage Input</b>	240V
<b>Wattage (max)</b>	40
<b>Globe Type</b>	E27
<b>Globe / Light Source qty</b>	1
<b>Globe / Light Source included</b>	No
<b>Dimmable</b>	Globe Dependant
<b>Surge Protection</b>	No
<b>Electrical Protection</b>	CLASS II - DOUBLE INSULATED, EARTH NOT REQUIRED
<b>IP rating</b>	IP20
<b>Lead and Plug</b>	Yes
<b>Approvals</b>	RCM
<b>Assembly Required</b>	Yes
<b>Box Contents</b>	Instruction
<b>Care Instructions</b>	Do not use strong liquid cleaners,Wipe clean with a dry cloth
<b>Replacement Warranty</b>	*3 Years

## Barcode

**GTIN** 9329501031766

## Image -dimensions

