

Last modification

2022-11-03

MARSTEN PE5-AGOM

9329501060094



The MARSTEN 5 is a simple deco pendant that complements transitional to more contemporary styles. Five straight rods, each with their own glass sphere give a robust, yet compact effect giving the fixture a unique character. Available in Antique gold or black.

Overview

Family name	Marsten
Categories	Pendants
Mounting	Surface
This item includes	Glass,Suspension
Shade Shape	Round
Suspension Type	Rod (1x300)+(2x600)
Usage	Indoor Lighting

Color / Material

Fixture Color	Antique Gold,Opal Matt
Fixture Material	Iron,Glass
Canopy Color	Antique Gold
Shade Material	Glass
Glass Color	Opal Matt

Size

Fixture Diameter (cm)	60.0
Fixture Height (cm)	18.5
Canopy Diameter (cm)	12.0
Canopy Projection (cm)	2.5
Glass Diameter	15.00
Suspension Length (cm)	150.0

Specification

Voltage Input	240V
Wattage (max)	125
Wattage	25
Globe Type	E27

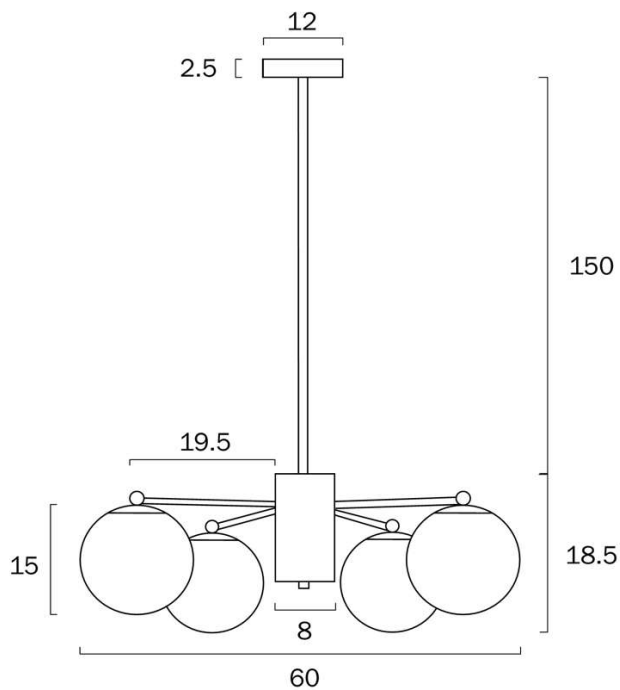
All representations within this document are subject to copyright.ELECTRICAL INSTALLATIONS MUST BE PERFORMED BY A QUALIFIED ELECTRICAL CONTRACTOR AND INSTALLED IN ACCORDANCE WITH AS/NZS 3000.
NOTE : All images , descriptions and dimensions are indicative. Please check latest version of item detail on Telbix website prior to ordering or installation.

Globe / Light Source qty	5
Globe / Light Source included	No
Electrical Protection	CLASS I - HIGH VOLTAGE, EARTH REQUIRED
IP rating	IP20
Lead and Plug	No
Approvals	RCM
Assembly Required	Yes
Box Contents	Basic mounting screws,Instruction
Installation Required	Yes (by Licensed Electrician only)
Care Instructions	Do not use strong liquid cleaners,Wipe clean with a dry cloth
Replacement Warranty	*3 Years

Barcode

GTIN 9329501060094

Image -dimensions







Last modification

2022-11-03

MARSTEN PE5-AGOM

9329501060094



The MARSTEN 5 is a simple deco pendant that complements transitional to more contemporary styles. Five straight rods, each with their own glass sphere give a robust, yet compact effect giving the fixture a unique character. Available in Antique gold or black.

Overview

Family name	Marsten
Categories	Pendants
Mounting	Surface
This item includes	Glass,Suspension
Shade Shape	Round
Suspension Type	Rod (1x300)+(2x600)
Usage	Indoor Lighting

Color / Material

Fixture Color	Antique Gold,Opal Matt
Fixture Material	Iron,Glass
Canopy Color	Antique Gold
Shade Material	Glass
Glass Color	Opal Matt

Size

Fixture Diameter (cm)	60.0
Fixture Height (cm)	18.5
Canopy Diameter (cm)	12.0
Canopy Projection (cm)	2.5
Glass Diameter	15.00
Suspension Length (cm)	150.0

Specification

Voltage Input	240V
Wattage (max)	125
Wattage	25
Globe Type	E27

All representations within this document are subject to copyright.ELECTRICAL INSTALLATIONS MUST BE PERFORMED BY A QUALIFIED ELECTRICAL CONTRACTOR AND INSTALLED IN ACCORDANCE WITH AS/NZS 3000.
NOTE : All images , descriptions and dimensions are indicative. Please check latest version of item detail on Telbix website prior to ordering or installation.

Globe / Light Source qty	5
Globe / Light Source included	No
Electrical Protection	CLASS I - HIGH VOLTAGE, EARTH REQUIRED
IP rating	IP20
Lead and Plug	No
Approvals	RCM
Assembly Required	Yes
Box Contents	Basic mounting screws,Instruction
Installation Required	Yes (by Licensed Electrician only)
Care Instructions	Do not use strong liquid cleaners,Wipe clean with a dry cloth
Replacement Warranty	*3 Years

Barcode

GTIN 9329501060094

Image -dimensions

