

LED FIRE CORE

EV-LED FIRE-CORE-B

Core Emergency Luminaire

FEATURES

- Non-maintained operation
- Fully compliant (AS/NZS 2293)
- Low energy consumption (avg. 0.45W)
- Includes outer ring to suit hole sizes up to 130 mm
- Long life electronics
- 6 years design life at max. ambient
- High Quality Lithium battery (LiFePO4) and smart charger
- Standalone (SPU)



ORDERING INFORMATION

Order code	11405
Description	Ledfire Core Emergency Luminaire Black - D50
Driver Type	Fixed output
Item Code	EV-LED FIRE-CORE-B

MECHANICAL

Body Material	Polycarbonate
Fitting Colour	Black
Installation Type	Recessed
IP Rating	IP44 Front Face Only

ELECTRICAL

Electrical Rating	Class II
Input Frequency	50 Hz
Input voltage	230Vac
In Australia the Input voltage is defined as 230Vac -6%/+10%. This effectively means that the voltage range of these products are 216Vac - 253Vac or 240V +6%	
Maximum Wattage	1.6 W
Standby Power	0.45 W
Standby power for non-maintained/switched maintained emergency devices is measured when the light is off and the charger is in standby mode. For maintained emergency devices, standby power is measured when the light is on and the charger is in standby mode. Typically, charging occurs for the first 16 hours after the device is powered or after a battery discharge.	
Working Temp Range	0 to 40 °C

DRIVER

Driver Included	Yes
Driver Type	Fixed output
Flex & Plug or Lead Length	1200 mm
Wiring Type	Re-wireable Flex & Plug (2 pin)

EMERGENCY (EM SUFFIX)

Replacement Battery Code	01300
Emergency Classification	C0:D50, C90:D50
Emergency Duration	90 mins
Emergency Lumen Output	250 lm
Emergency Mode	Non-Maintained
Emergency Output Power	1500 mW

COMPLIANCE

Product Design Life	6 years
The product design life relates to the total product life which includes LEDs, drivers and the enclosure. This is different to the LED lifetime which only refers to the economical lifetime of the LEDs at which time the lumen output has dropped below the L Value. The product design life is calculated at the maximum ambient or working temperature of the product and takes into account the Daily Use.	
Standards	AS/NZS 60598.1 AS 60598.2.22 AS/NZS 61347.1 AS/NZS 61347.2.13 AS CISPR 15 AS/NZS 2293.3

WARRANTY

Commercial Use Warranty 5 RTB (Total 5 Years)

DIMENSIONS

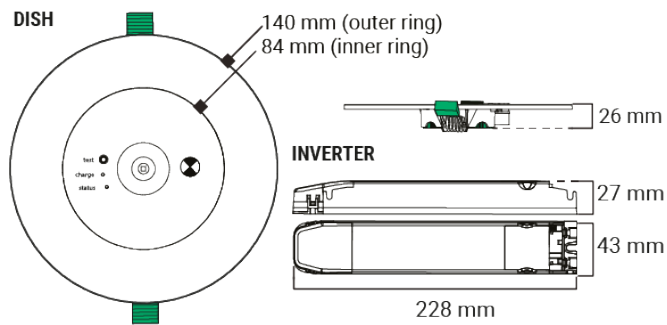
Cutout 70 (inner), 75-130 (outer) mm

Product Diameter 84 mm

Product Height 16 mm

LINE DRAWINGS

EV/LEDFIRE/CORE



PHOTOMETRICS

EV/LEDFIRE/CORE

