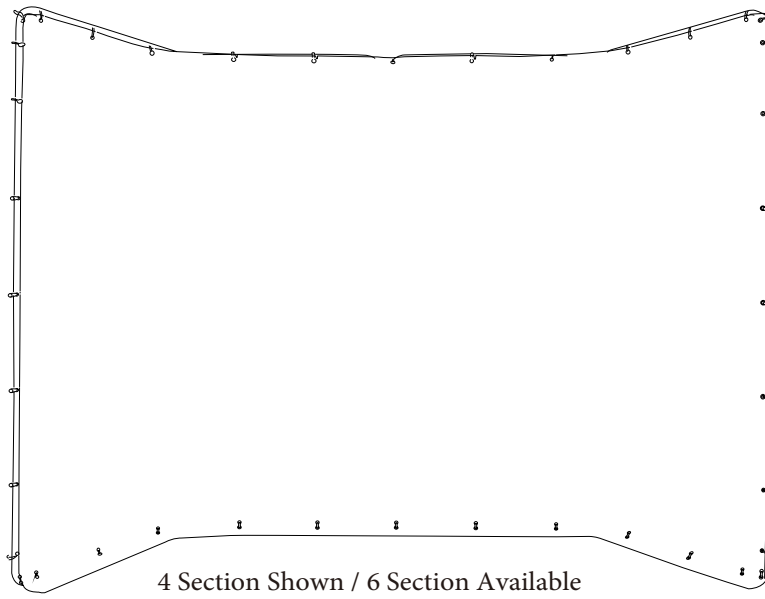
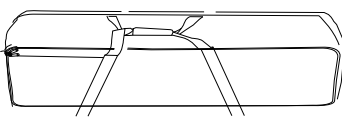


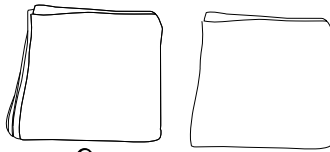
# Collapsible Panoramic Background Instructions



## In The Box

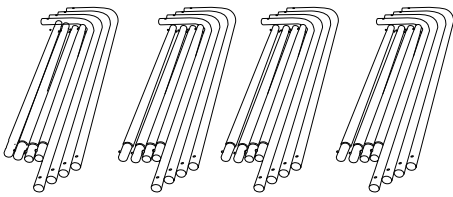


❶



❷

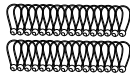
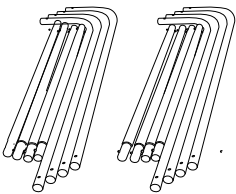
- ❶ 1x Soft carrying bag
- ❷ 1x Green, 1 x White background
- ❸ 6 x Tube Frame sets
- ❹ 10 x Aluminum frames Hinge clips
- ❺ 60x Elastic cords



❸

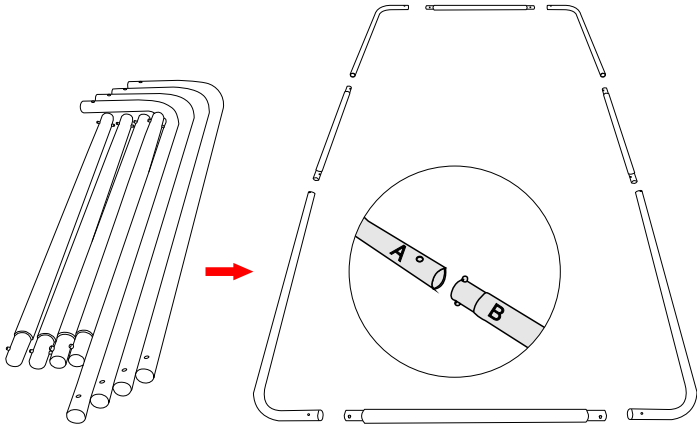


❹

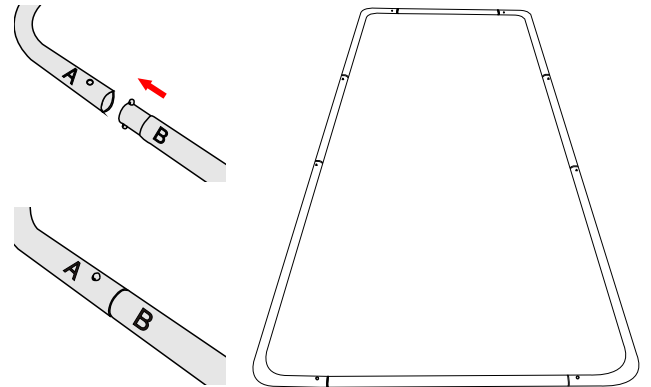


❺

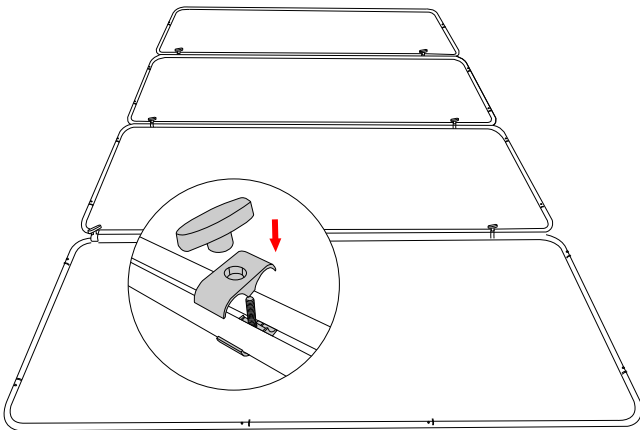
## Instructions



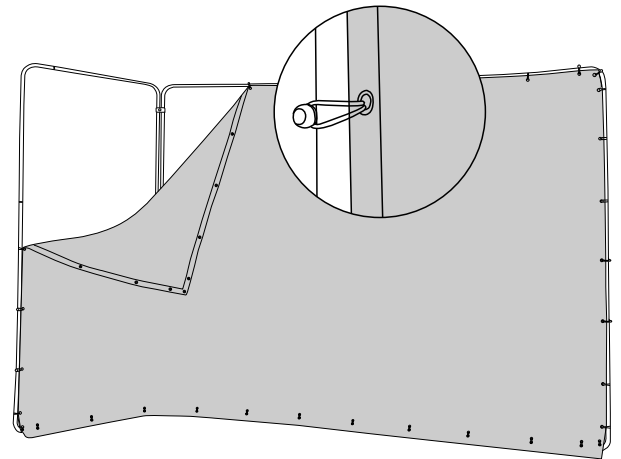
- ❶ Each frame is combined by 4pcs straight tubes-A and 4pcs curved stubes-B. (As picture).



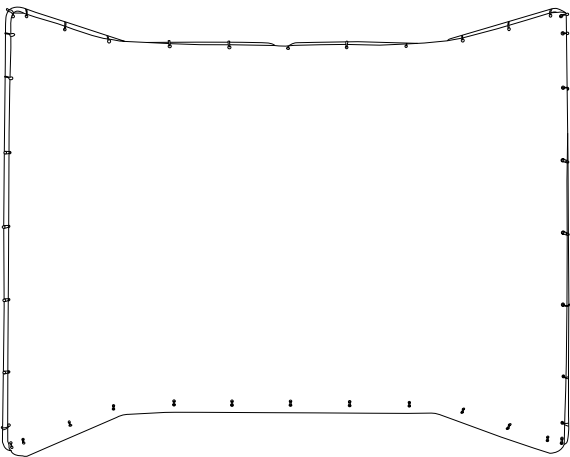
- ❷ Please connect tube A with tube B by pressing down the spring pin,until it is bounced back.



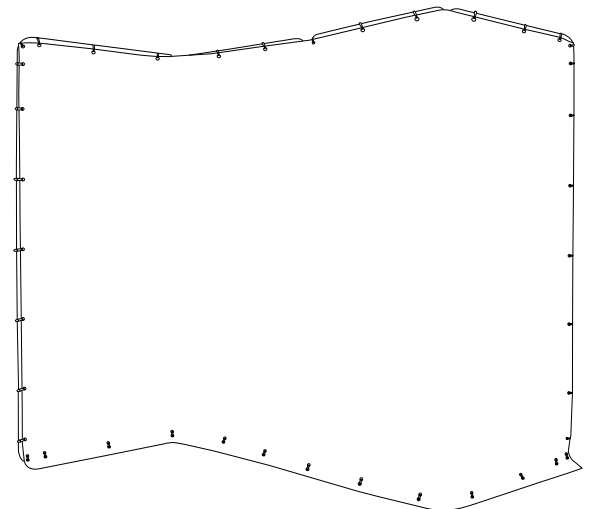
- ❸ Use hinge clips to connect two frames.



- ❹ Use elastic cords to mounted background on frames.



- ❺ Complete the installation.



- ❻ Change different shapes according to demand.