

[185]  
7.28

Traverse Width

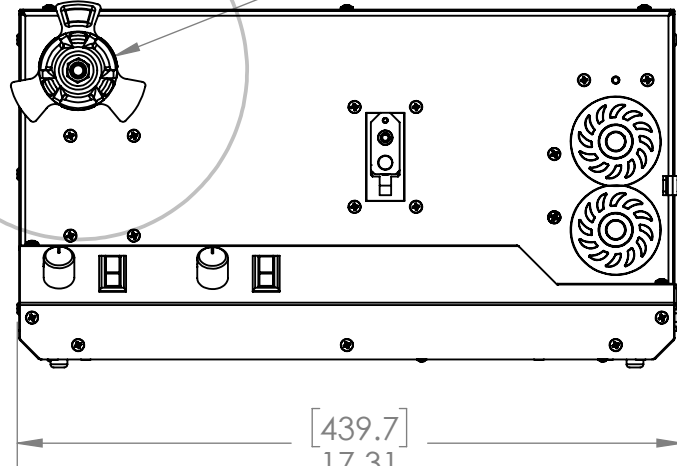
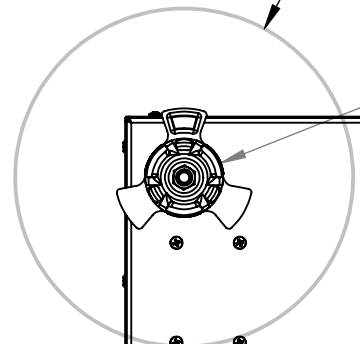
[79.8]  
3.14

Max Spool OD

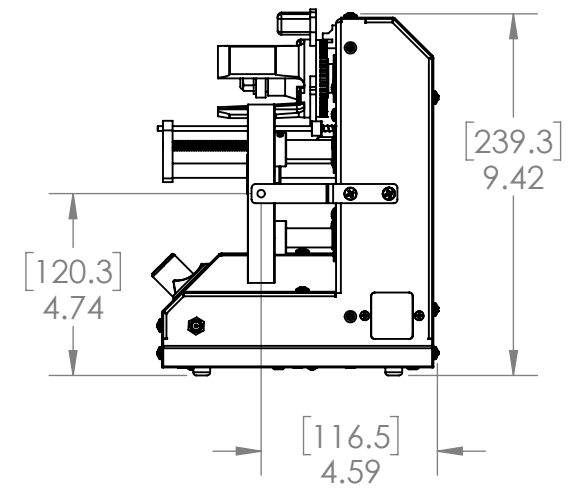
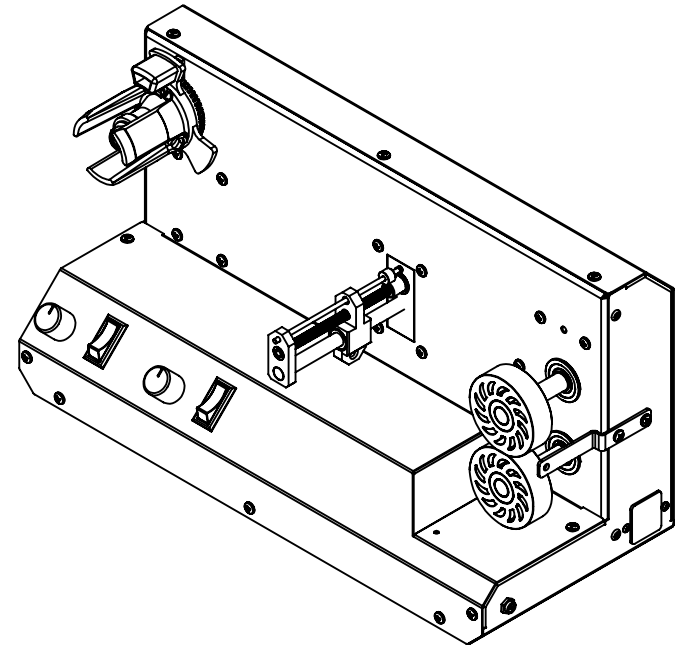
[223.5]  
Ø 8.80

Spool ID

[52.3]  
Ø 2.06



[439.7]  
17.31



[239.3]  
9.42

[120.3]  
4.74

[116.5]  
4.59