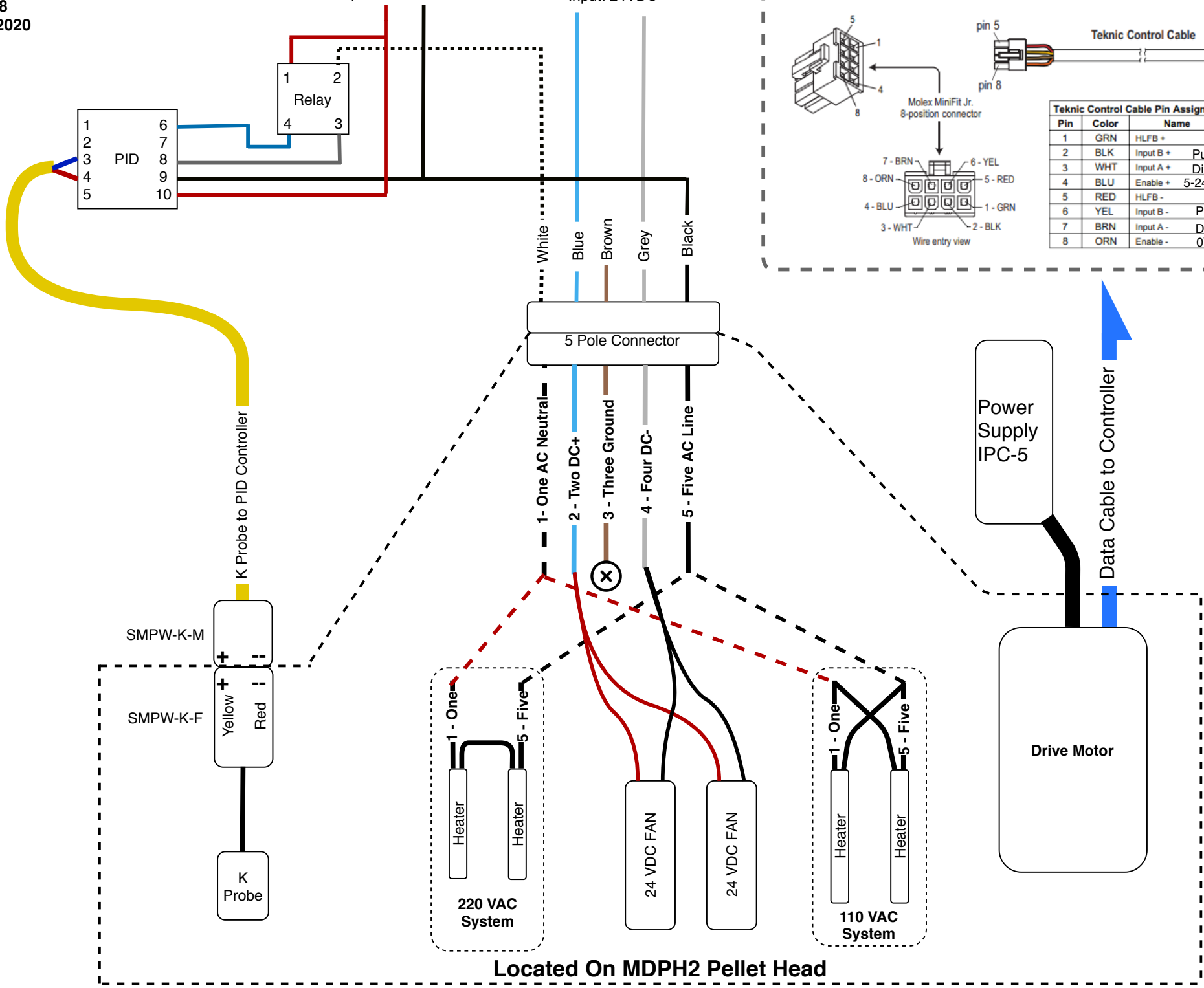
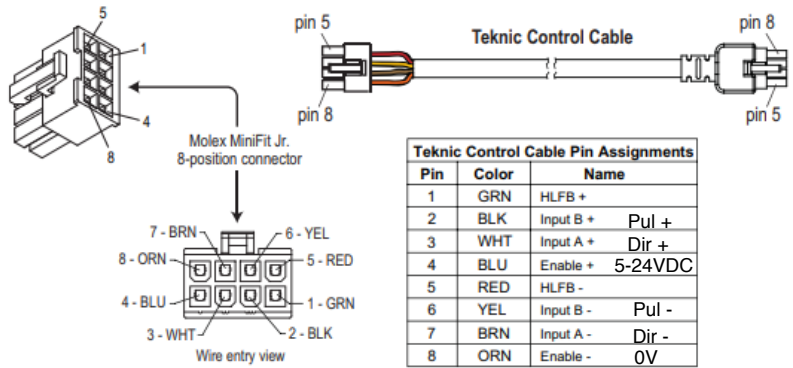


MDPH2 Wire Diagram

Rev: 8
12/2/2020

Input: 110 or 220VAC Input: 24VDC

Data Cable Pinout



Located On MDPH2 Pellet Head