

Filabot  
Vermont, USA, Earth  
1-802-505-6772

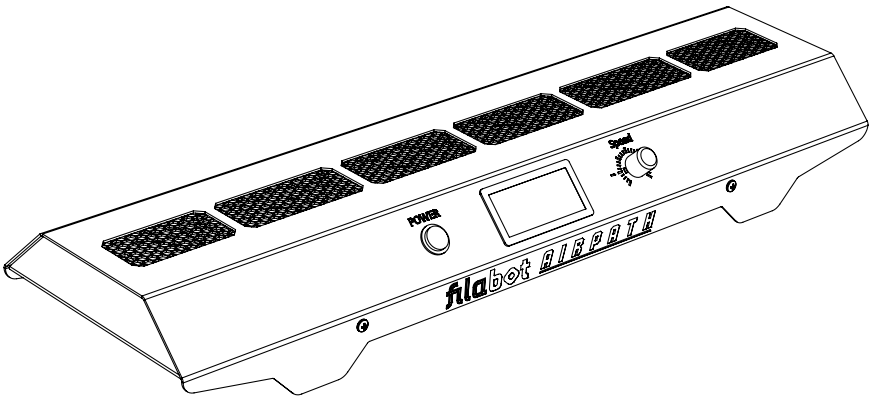


---

# Filabot Airpath

## Operation Manual

---



---

This manual applies to the Filabot Airpath by Triex LLC.

Triex LLC, Barre, VT 05641, USA

APMR1 - REV 3 - 11/29/2018

## Caution!

---

- Fans are very strong! To avoid possible injury and contaminated filament, use the Airpath indoors on a **CLEAN, DRY, FLAT SURFACE**. The fans will pick up dust, paper, and debris from under and around the Airpath and blow them up into the air.
- Fans will turn ON by default when the machine is plugged in.
- Use of a DC power supply other than the one provided may result in damage to the Airpath or poor operation.
- Using this device for anything other than cooling filament as specified in the operation section has not been approved for safety or applicability by Filabot.
- Do not use this device if any parts appear missing or damaged.
- Do not modify this device without authorization from Triex LLC.

Contact Filabot with any questions

## General Specifications

---

**Power AC/DC Adaptor Input:** 100-240VAC 50/60Hz 1.0-0.5A

**DC Power/Adaptor Output:** 24VDC 5A

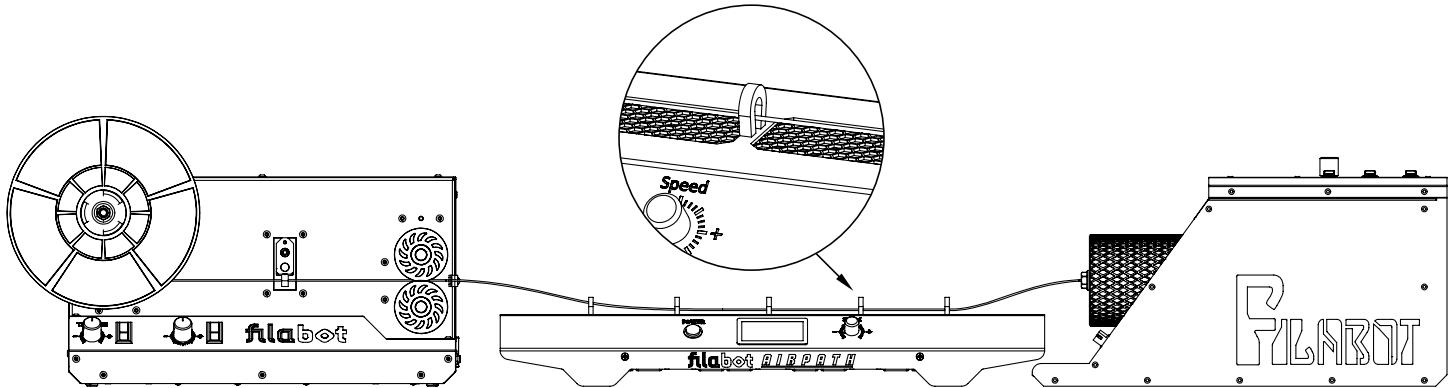
**Dimensions:** 24in L x 3 1/8in H x 7 1/8in W

**Weight:** 9 pounds (4kg)

## Operation

---

It may require trial and error to find the best setup for your extrusion rate and type of plastic. Generally, it is best to have the Airpath close enough to the extruder so that forced air from the first fan is cooling the filament before it reaches the first guide. This will reduce the chance that it will stick to the guide or the top of the Airpath. Once you begin extruding and spooling, place the guides over the filament to keep it in place. Adjust the fans to the fastest speed possible unless the filament begins to “jump rope” or flail, as this can cause variations in shape and diameter. Adjust the distance between each machine to change the cooling profile and improve cooling performance. Typically, the Spooler will be about two feet from the Airpath to ensure the filament has fully solidified before entering the rollers.



# Warranty Information

---

The Filabot Airpath has a one year warranty. This includes replacement of any part that fails. Warranty is void if system is opened up or damage is direct. Only Triex LLC technicians are allowed to service internal parts. More information about our warranty is available on [www.filabot.com](http://www.filabot.com)

2018, Triex LLC, Barre VT, USA. No part of this manual may be copied, stored, transmitted, or otherwise released without the express written consent of Triex LLC. This manual applies only to the Filabot Airpath. While Triex LLC has applied all precaution in producing this manual, we urge the customer or user of this device to contact Triex LLC with any questions or concerns about operation before operating the device or making adjustments. Triex LLC provides no assurance of applicability of the product to customers' requirements.