



# POWER AND DATA HUB [PDH-2]

POWER AND DATA INTEGRATION ALL THE  
TIME, ANYTIME, IN ANY ENVIRONMENT

**GALVION POWER AND DATA HUB (PDH-2)** is designed to support a variety of soldier-worn systems that are commonly used today. By seamlessly integrating with handheld radios, smart devices, and power sources, this hub offers soldiers the flexibility to scale their wearable power and data according to their specific mission requirements, without the need to carry a larger hub system that may not be necessary.

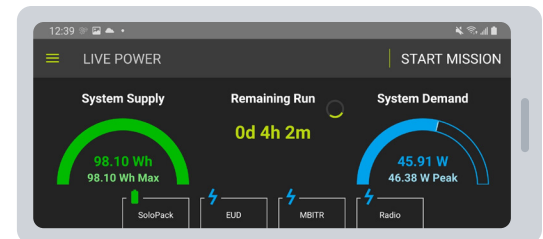


## KEY FEATURES

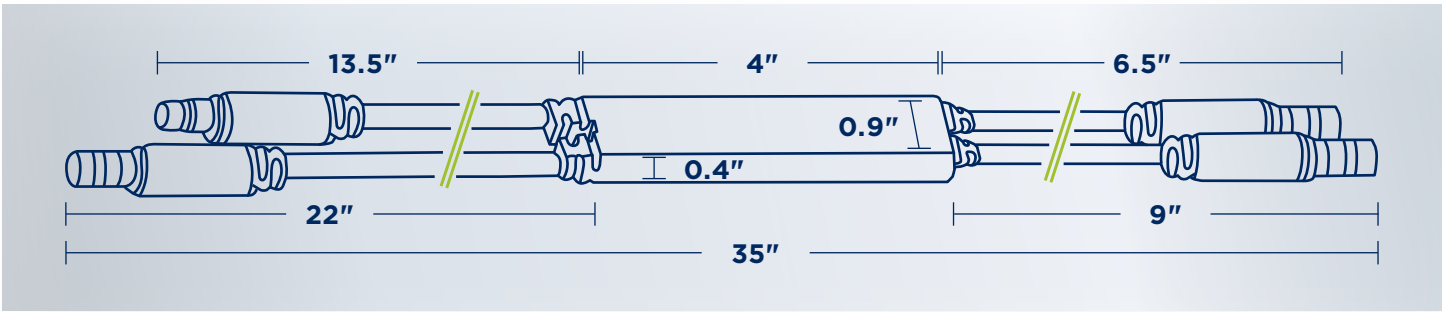
- Connects and supports soldier-worn equipment such as smart devices, handheld radios, and Nett Warrior style batteries
- Eliminates the need for individual batteries for devices by providing power management through a singular port
- HUB application pairing to provide maximum control over power management
- Waterproof at 1 meter for 30 minutes (as per MIL-STD-810 Method 512.5)
- Operating temperature of -22°F (-30°C) to 149°F (65°C)
- SMBus 1.1 & 2.0 on BB-2590 & BB-2525, DQ on MBTR compatible
- Fits inside MOLLE strap

## APPLICATIONS

- Soldier systems
- Central power systems
- Portable field equipment
- Special operations forward-operation equipment



*Our HUB application allows users to plan for equipment power needs, to analyze data in depth post mission, and store and retrieve data from the hub without requiring a continuous live connection to the EUD*



PART NUMBER	
016-186	

### TECHNICAL SPECIFICATIONS

<b>DIMENSIONS</b>	Overall L 35" (889mm) Hub: L 4" (102mm) x W 0.9" (23mm) x H 0.4" (10mm)
<b>WEIGHT</b>	4.9oz (139g)
<b>POWER</b>	80W, 5A, 10V to 17V

### SPECIFICATIONS

<b>OPERATING TEMPERATURE</b>	-22°F (-30°C) to 149°F (65°C)
<b>STORAGE TEMPERATURE</b>	-22°F (-30°C) to 158°F (70°C)
<b>WATER IMMERSION</b>	Waterproof at 3.28ft (1 meter) for 30 mins (as per MIL-STD-810 Method 512.5)
<b>BATTERY CONNECTION</b>	NW 6 pin plug
<b>LOAD CONNECTION</b>	NW 6 pin socket
<b>PROTECTION</b>	Overcurrent, Short Circuit, Over-temp
<b>COMMUNICATIONS</b>	<ul style="list-style-type: none"> <li>1 x Input battery Port (Nett Warrior Plug)</li> <li>2 x I/O Data Ports</li> <li>1 x EUD USB Host Port (Nett Warrior Socket)</li> <li>Reverse Voltage protection on all ports</li> </ul>

