



NETT WARRIOR BATTERY COMBINER [NWBC]

EXTEND YOUR MISSION TIME

GALVION NETT WARRIOR BATTERY COMBINER (NWBC) instantly doubles the functionality of a single connection. This smart cable provides an uninterrupted power source to extend mission time for critical equipment, by adding hot swap and constant charge capabilities. The NWBC supports any Nett Warrior capable batteries and is compatible with all Nett Warrior products.

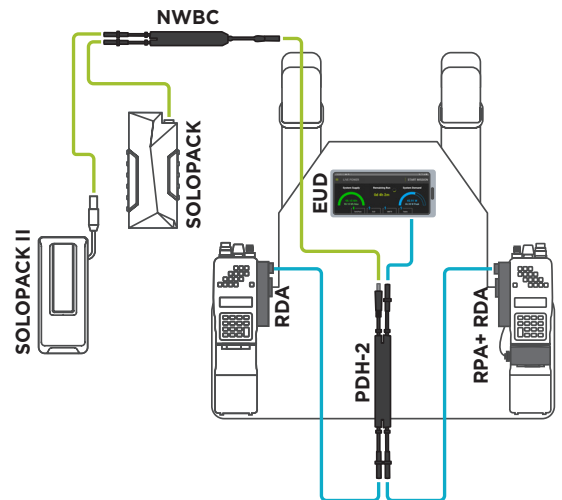


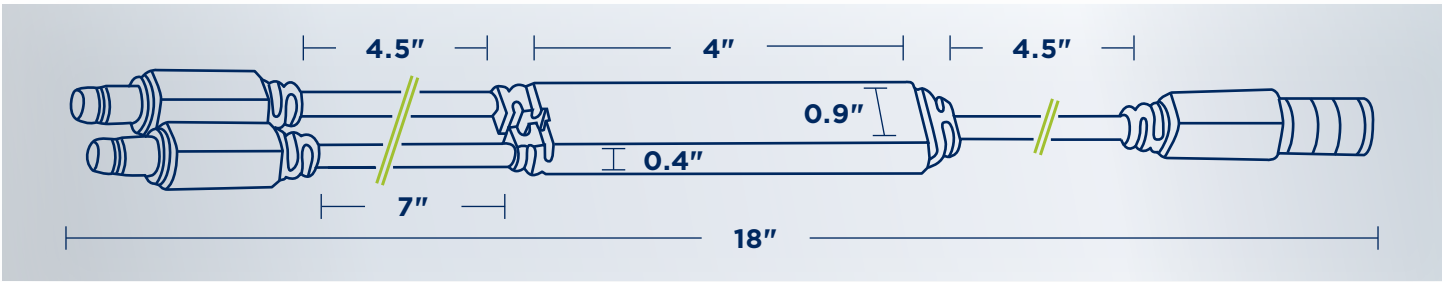
KEY FEATURES

- Doubles the functionality of a single battery port connection
- Compatibility with radios, satellite phones, GPS units, tablets, laptops, medical and EOD equipment, power tools, UAV batteries and more
- Battery hot swapping capability
- Intelligent cable design charges most-full batteries to completion first
- Waterproof up to 1 meter for 30 minutes (as per MIL-STD-810 Method 512-5)
- Operating temperature of -22°F (-30°C) to 149°F (65°C)
- SMBus 1.1 & 2.0 on BB-2590 & BB-2525, DQ on MBTR compatible
- Fits inside MOLLE strap

APPLICATIONS

- Soldier systems
- Portable field equipment
- Special Forces forward-operation equipment





PART NUMBER	
014-776	

TECHNICAL SPECIFICATIONS

DIMENSIONS	Overall: L 18" (457mm) Hub: L 4" (102mm) x W 0.9" (23mm) x H 0.4" (10mm) Cables: L 14" (355mm)
WEIGHT	3.1oz (88g)
POWER	BATTERY VOLTAGE: 10 to 17 VDC (14.4 nominal) PORT MAX CURRENT (BUS/NATIVE): 5A PORT MAX POWER (CONVERTER): 85W

SPECIFICATIONS

OPERATING TEMPERATURE	-22°F (-30°C) to 149°F (65°C)
STORAGE TEMPERATURE	-22°F (-30°C) to 158°F (70°C)
WATER IMMERSION	Waterproof at 3.28ft (1 meter) for 30 mins (as per MIL-STD-810 Method 512.5)
PROTECTION	Over voltage, Overcurrent, Short Circuit, Surge
COMMUNICATIONS	SMBus 1.1 & 2.0
SCAVENGING	MPPT
INPUT CABLE	SAE CONNECTOR
CHARGE/DISCHARGE PLAN	Discharges least charged battery first and charges fullest first
BATTERY COMPATIBILITY	SoloPack™, CWB and any Nett Warrior battery
CABLES AND ADAPTERS	Connect and power over 200 types of electronic gear, including: <ul style="list-style-type: none"> • Radios and Communications equipment • Specialist Explosive Ordnance Demolition gear • GPS, targeting and imaging equipment • Laptops, tablets and smart phones • Prolonged Field Care medical equipment • Unmanned Systems platforms and controllers

