

# POWER AND DATA HUB (PDH-2)

## SET UP INSTRUCTIONS



### POWER AND DATA OPERATING SET UP

- Connect power source to port 1
- Connect end user device to port 2
- Connect Radio Power Adapter (RPA) between the radio and the radio battery for each applicable radio
- Connect Radio Data Adapter (RDA) to the data port of each applicable radio
- Connect radios with Radio Data Adapters to port 3 and port 4 of PDH-2

### FOR EXTENDED POWER:

- Connect Nett Warrior Battery Combiner cable to port 1
- Connect SoloPacks to ports of NWBC cable (or other Nett Warrior style batteries)
- When a battery is depleted, simply remove depleted battery and replace with fresh battery

### FOR POWER SUSTAINMENT:

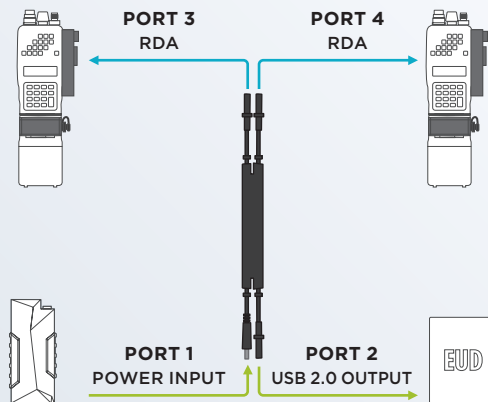
- Connect Nett Warrior receptacle of Personal Worn Scavenger (PW-S) to Power Port on PDH-2
- Connect remaining PW-S Nett Warrior plug into single SoloPack or Nett Warrior type battery/cable
- Connect the PW-S SAE trailer hitch style connector to solar, wall outlet or vehicle power source
- Disconnect PW-S when batteries are charged. (The PW-S will cease charging once batteries are completely charged)
- With remaining port on PW-S, connect a SoloPack or Nett Warrior type battery

PORT DESCRIPTIONS

Radio Power Adapter (RPA), P/N: 015-359 to radio and battery  
Radio Data Adapter (RDA), P/N: 015-360 to side of radio  
Connect RDA to PDH-2

Connect SoloPack, P/N: 014-493 With cable  
Cable mNW mNW 6 Pin Connect 24" P/N: 014-471

**PORT 1 ADDITIONAL CONNECTIONS:**  
Personal Worn Scavenger, P/N: 015-361  
Nett Warrior Battery Combiner, P/N: 014-776

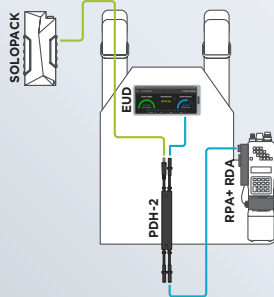


Power and Data Hub 2 Port (PDH-2), P/N: 015-358  
Radio Power Adapter (RPA), P/N: 015-359  
Radio Data Adapter (RDA), P/N: 015-360  
Personal Worn Scavenger (PW-S), P/N: 015-361  
Nett Warrior Battery Combiner (NWBC), P/N: 014-776  
SoloPack, P/N: 015-235  
Cable mNW to mNW 6 Pin P/N: 014-471

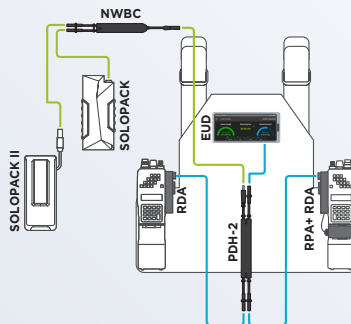
Connect EUD, P/N: XXX-XXX to PDH-2

POWER (green line) POWER & DATA (blue line)

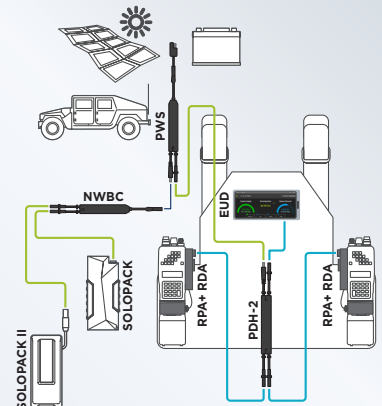
CONFIGURATIONS



PDH-2 Light Configuration



PDH-2 with Extended Power



PDH-2 with Power Sustainment