



# QTL Series High Bay

## Product Specifications



The QTL Series High Bay family features a lightweight extruded aluminum body, 2FT and 4FT length options and up to 60,000 lumens resulting in a versatile solution for endless applications. The included mounting hardware makes the QTL Series High Bay quick to install and will provide a long-lasting, durable light source for years to come.

Take control of your lighting with our TCP SmartStuff accessories such as the SmartBox and smart high bay sensor. Install select motion/daylight sensors to control SmartBox high bays, set groups for aiseways or set timers and schedules - with TCP SmartStuff, you have options.

## Reasons to choose the LED QTL Series High Bay from TCP

- Lightweight, quick install construction
- Uplight - no cave effect
- Standard frosted lens for glare control
- No shadows for smooth, even lighting
- Damp location rated
- 0-10V smooth dimming
- 250 or 400W HID equivalent
- 50,000 hour rated life
- Wide 120 degree beam spread
- Optional controls available
- Includes 6-foot power cord
- TCP SmartStuff compatible

## Ideal Applications

- High ceiling locations
- Commercial settings
- Industrial settings
- Warehouses



## Applications

The QTL Series High Bay family is a versatile solution for endless applications. With a lightweight extruded aluminum body and included mounting hardware, the QTL Series HB by TCP is quick to install and will provide a long-lasting, durable light source for years to come.

## Features

- Lightweight, quick install construction
- Standard frosted lens for glare control
- No shadows for smooth, even lighting
- Damp location rated
- 0-10V smooth, no flicker dimming
- Operating temperature: -4° to 122°F
- 250 or 400W HID equivalent
- Long 50,000 hour rated life
- Wide beam spread due to LED design providing a clean cutoff
- Optional battery backup or motion sensors available
- Includes 6-foot power cord

## Hardware Included

- 2 tong hangers
- 5' jack chains
- 6' pre-wired cord

## Installation

Before hanging installation, please consult your local ordinances and building codes.



### Listings

cULus Listed  
RoHS Compliant  
DLC 5.1 Standard

### Warranty

Five year limited warranty against defects in manufacturing.

# Catalog Ordering Matrix

Example: QHB2UZDA250K

QHB	2	U	ZD	A3	50K		
FAMILY	LENGTH	VOLTAGE <sup>3</sup>	CONTROLS	LUMEN PACKAGE (Power) <sup>2</sup>	CCT	FACTORY INSTALLED OPTIONS	FACTORY INSTALLED CONTROLS <sup>4</sup>
QHB – QTL Series High Bay	2 – 2 foot	U – 120-277V H – 347-480V C – 120-347V	ZD – 0-10V Dimming	A2 – 14,850L (110W) E4 – 17,550L (130W) A3 – 22,275L (165W) A4 – 30,500L (220W)	40K – 40K CCT 50K – 50K CCT	Blank – No Add on B – Battery Backup	Blank – No controls SM – SmartStuff SmartBox SMS – SmartStuff Microwave Motion Sensor MS1 – Microwave Motion Sensor LS1 – Leviton Passive Infrared Sensor LS1D – Leviton Passive Infrared Sensor/Daylight Harvesting

<sup>1</sup> Approximate lumen output. Actual performance may vary based on CCT, options selected and end use application.

<sup>2</sup> Actual wattage may differ by +/- 10%

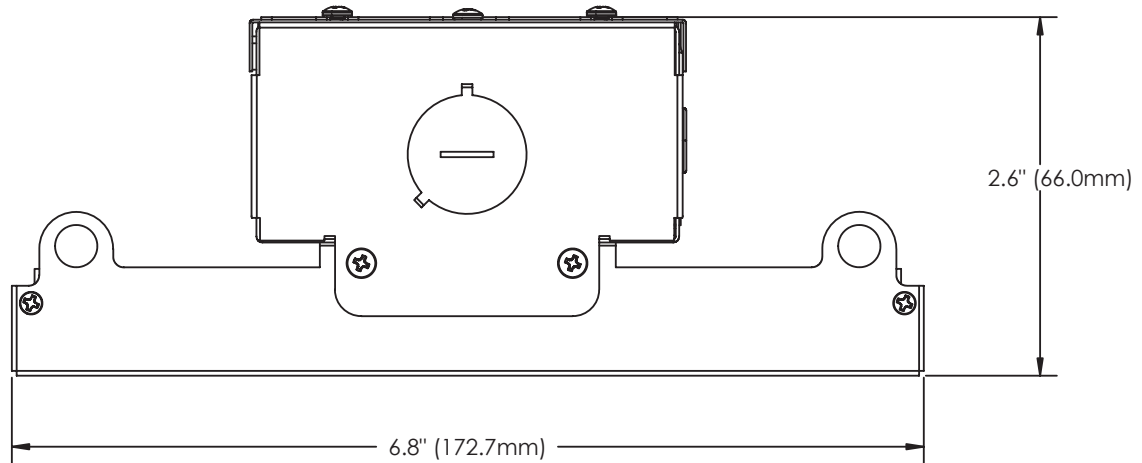
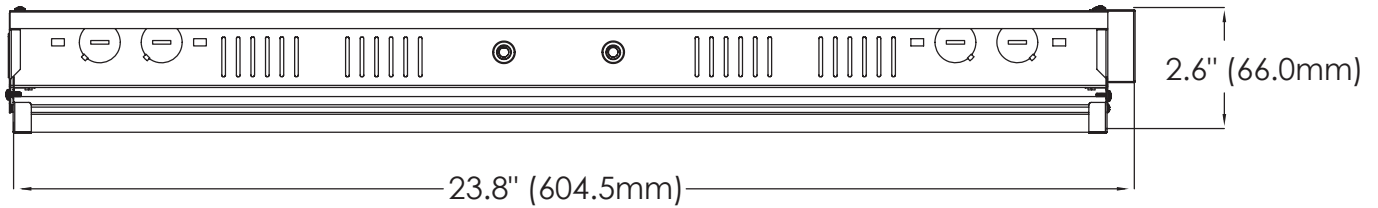
<sup>3</sup> C - 120-347V is for Canada only

<sup>4</sup> SmartBox controls are not available on QHB4UZDA2\*\*K at this time

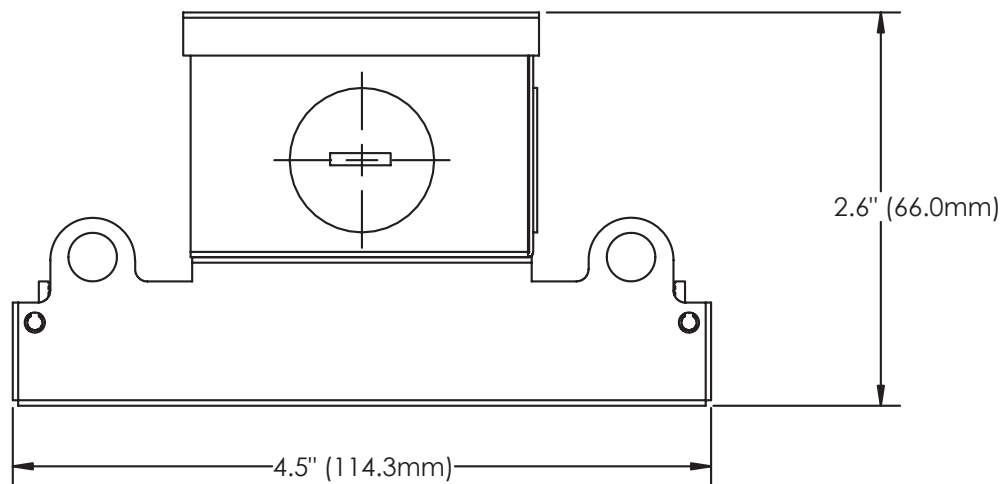
## Field Installed Accessories

- QHB2WGUARD1 - Wire Guard for 110W Model
- QHB2WGUARD2 - Wire Guard for 130W-220W Models

## Wireline Dimensions



**QHB2UZDE450K, QHB2UZDA350K & QHB2UZDA450K**



**QHB2UZDA250K**

## Applications

The QTL Series High Bay family is a versatile solution for endless applications. With a lightweight extruded aluminum body and included mounting hardware, the QTL Series HB by TCP is quick to install and will provide a long-lasting durable light source for years to come.

## Features

- Lightweight, quick install construction
- Standard frosted lens for glare control
- No shadows for smooth, even lighting
- Damp location rated
- 0-10V smooth, no flicker dimming
- Operating temperature: -4°F to 122°F
- 250 or 400W HID equivalent
- Long 50,000 hour rated life
- Wide beam spread due to LED design providing clean cutoff
- Optional battery backup or motion sensors available
- Includes 6-Foot power cord

## Hardware Included

- 2 tong hangers
- 5' jack chains
- 6' pre-wired cord

## Installation

Before hanging installation, please consult your local ordinances and building codes.



### Listings

cULus Listed  
RoHS Compliant  
DLC 5.1 Standard

### Warranty

Five year limited warranty against defects in manufacturing.

# Catalog Ordering Matrix

Example: QHB4UZDA450K

QHB	4	U	ZD	A4	50K	FACTORY INSTALLED OPTIONS	FACTORY INSTALLED CONTROLS 4
FAMILY	LENGTH	VOLTAGE 3	CONTROLS	LUMEN PACKAGE (Power) <sup>2</sup>	CCT		
QHB – QTL Series High Bay	4 – 4 foot	U – 120-277V H – 347-480V C – 120-347V	ZD – 0-10V Dimming	B2 – 14,850L (110W) A4 – 30,500L (220W) A6 – 44,550L (330W) A8 – 59,400L (440W)	40K – 40K CCT 50K – 50K CCT	Blank – No Add on B – Battery Backup	Blank – No controls SM – SmartStuff SmartBox SMS – SmartStuff Microwave Motion Sensor MS1 – Microwave Motion Sensor LST – Leviton Passive Infrared Sensor LS1D – Leviton Passive Infrared Sensor/Daylight Harvesting

<sup>1</sup> Approximate lumen output. Actual performance may vary based on CCT, options selected and end use application.

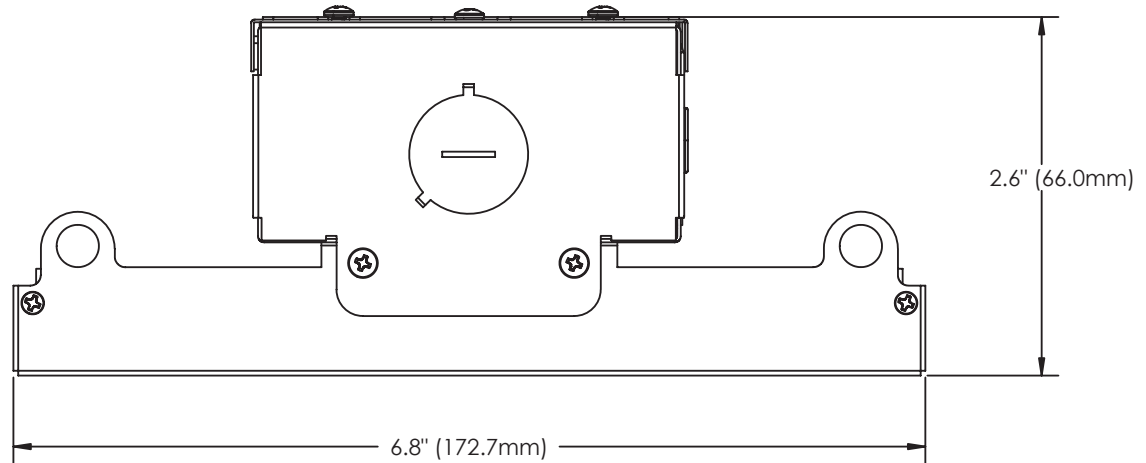
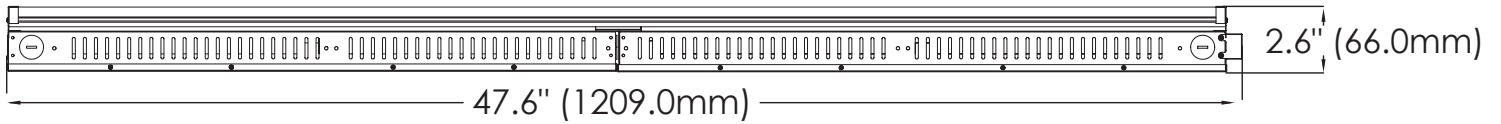
<sup>2</sup> Actual wattage may differ by +/- 10%

<sup>3</sup> C - 120-347V is for Canada only

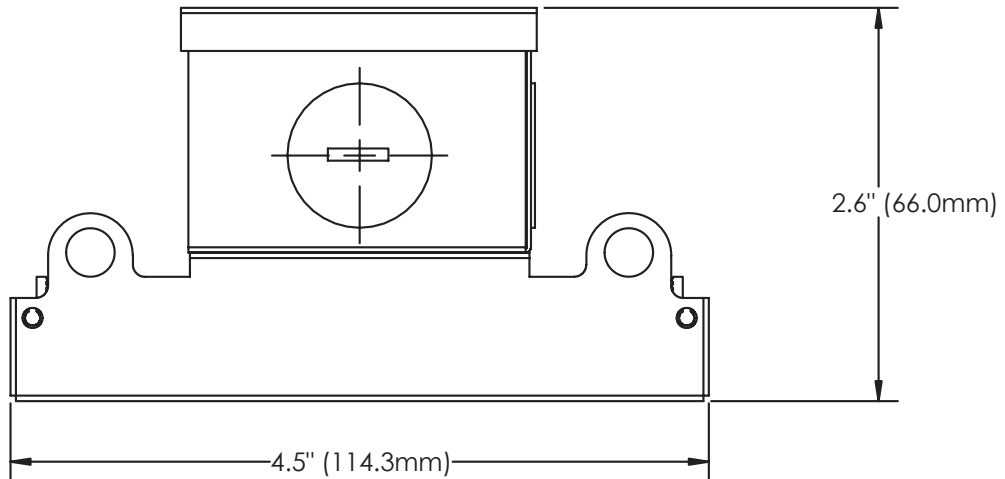
## Field Installed Accessories

- QHB4WGUARD1 - Wire Guard for 220W Model
- QHB4WGUARD2 - Wire Guard for 330W-440W Models

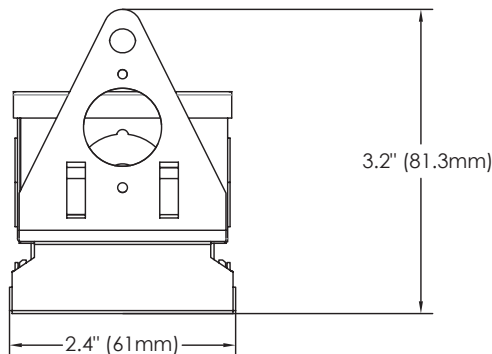
## Wireline Dimensions



**QHB4UZDA650K & QHB4UZDA850K**



**QHB4UZDA450K**



**QHB4UZDB250K**

# TECHNOLOGY CAST IN A BEAUTIFUL LIGHT

For over 20 years, TCP has been designing, developing and delivering energy-efficient lighting into the market. Thanks to our cutting-edge technology and manufacturing expertise, we have shipped billions of high quality lighting products. With TCP, you can count on a lighting product that is designed to meet the needs of the market - that transforms your surroundings and envelopes you in warmth - lighting that generates beauty with every flip of the switch.

Sales:

Date:

Model:

Project:

Rep:

Catalog Number:

Type:

Notes:



For more information on the quality and care TCP can deliver, call us at **800.324.1496** or visit [tcp.com](http://tcp.com)

325 Campus Dr. | Aurora, Ohio 44202 | P: 800.324.1496 | F: 877.487.0516