

NG-PL Series - LED Shoebox Fixture

150W~320W LED Shoebox fixture with integrated photocell (off/on selectable)

Optically enhanced, clear, protective lens bubbles
SMD2835 or SMD3030 with Type III distribution (others available by special order). High strength aluminum housing with a bronze UV resistant powder coat finish that offers durable outstanding corrosion protection to ensure good heat dissipation and long lifespan. (White by special order)



Features

- 150W 200W 240W 320W
- UL cUL DLC CE approved
- 3 Bracket choices: Trunnion, Slip Fitter, All in One/ Arm Bracket
- IP65 Dust free and waterproof
- Die-casting housing anti-corrosion
- 6K High voltage Surge test approved
- 120 through 277VAC Input
- 50,000hrs life rating on the lumens
- Ambient operating temperature -40C to 45C
- Replaces 400~1,000W metal halide/HPS
- Non-magnetic disturbance driver design

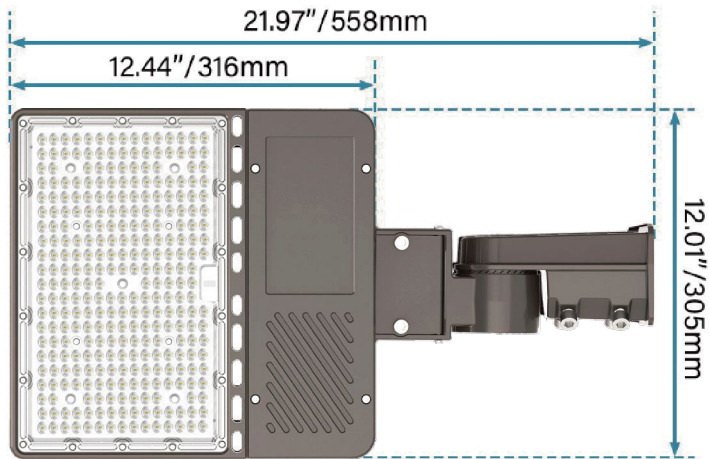
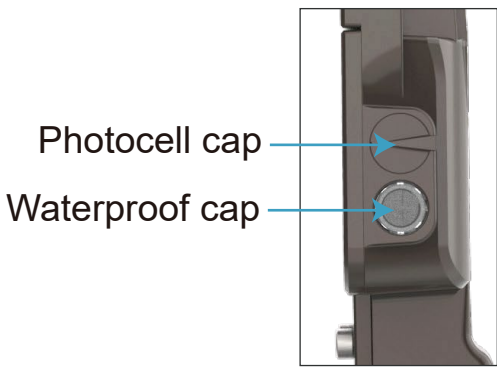


Series	Lumens	LED Quantity	LED Type	Weather Rating	Beam Angle Degree	Electrical Data	Color temperature	Color rendering index
NG-PL-150W	23532 Lm	294PCS	SMD 2835 chips	IP65	TYPE III	Input Voltage 120-277VAC 50~60Hz Power Factor(%) >90	DW 5000K	CRI>80
NG-PL-200W	31348 Lm	294PCS	SMD 3030 chips					
NG-PL-240W	38427 Lm	432PCS						
NG-PL-320W	48518 Lm	432PCS						



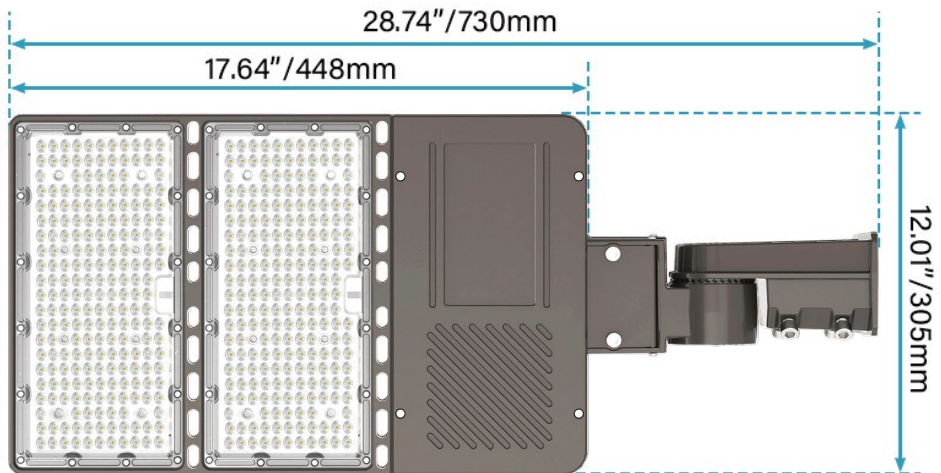
150W

200W

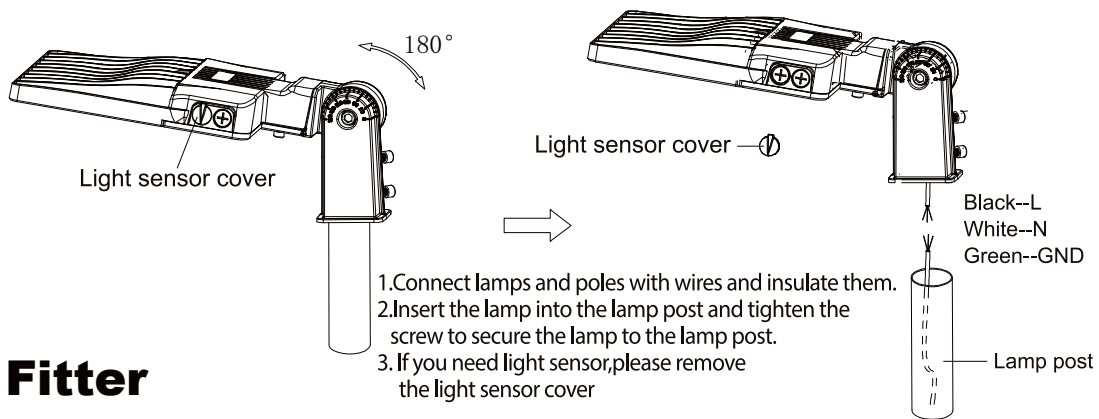


240W

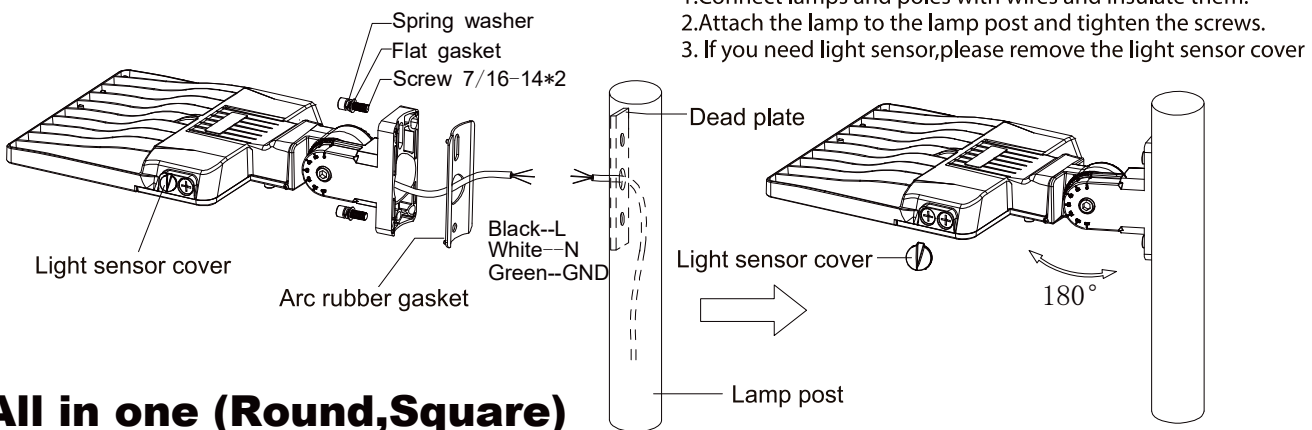
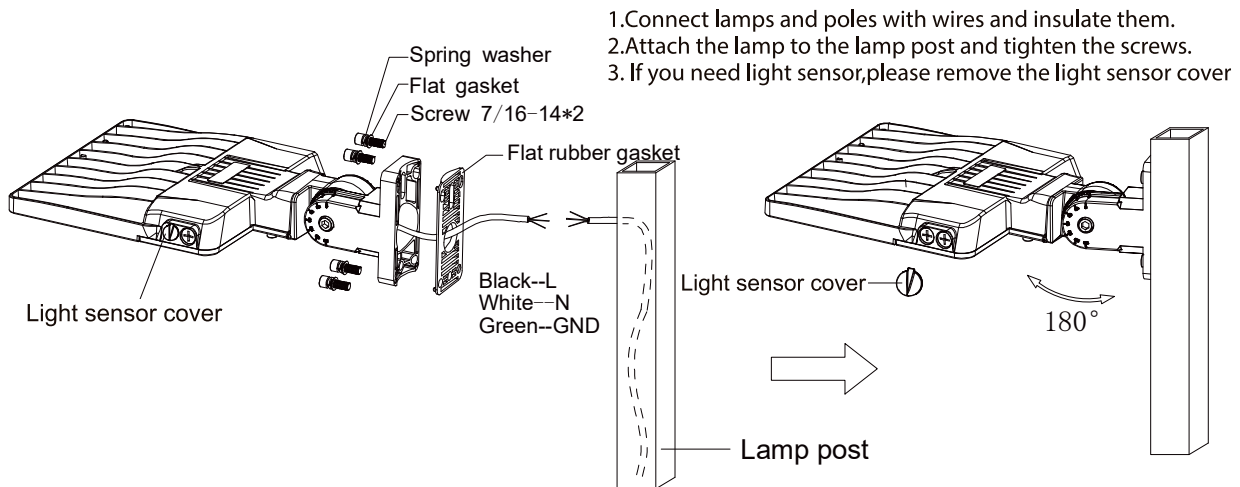
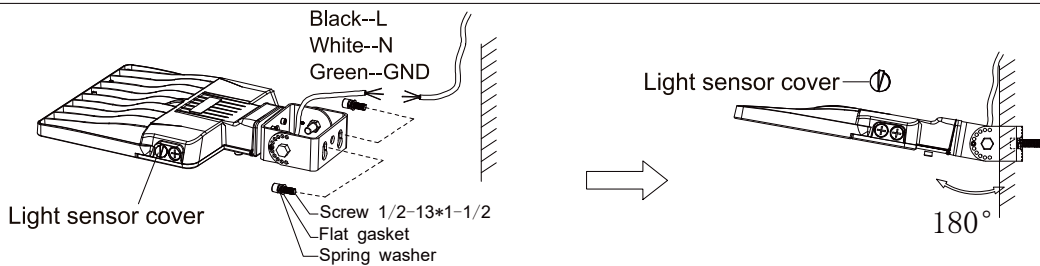
320W



Slip Fitter

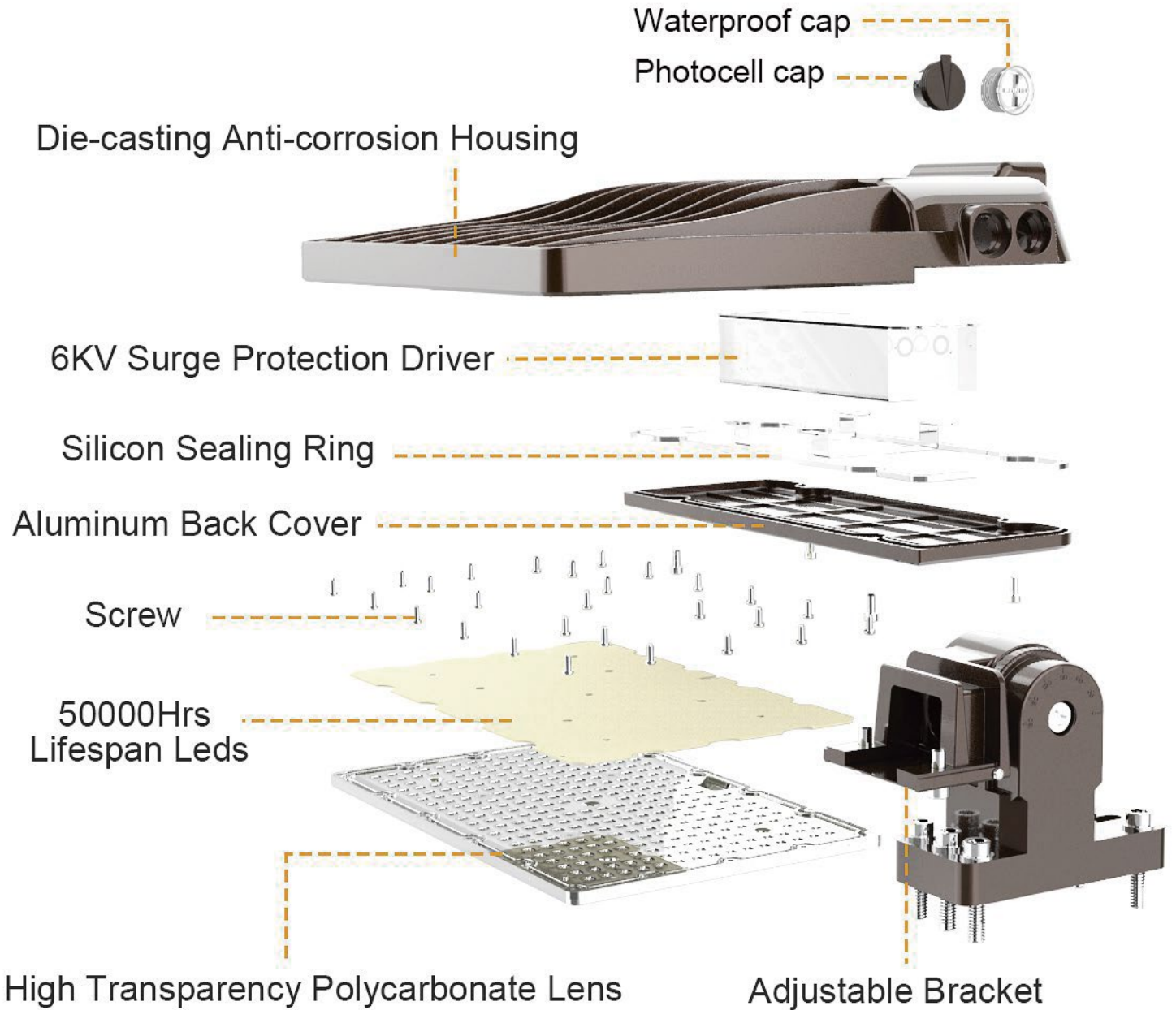


Trunnion

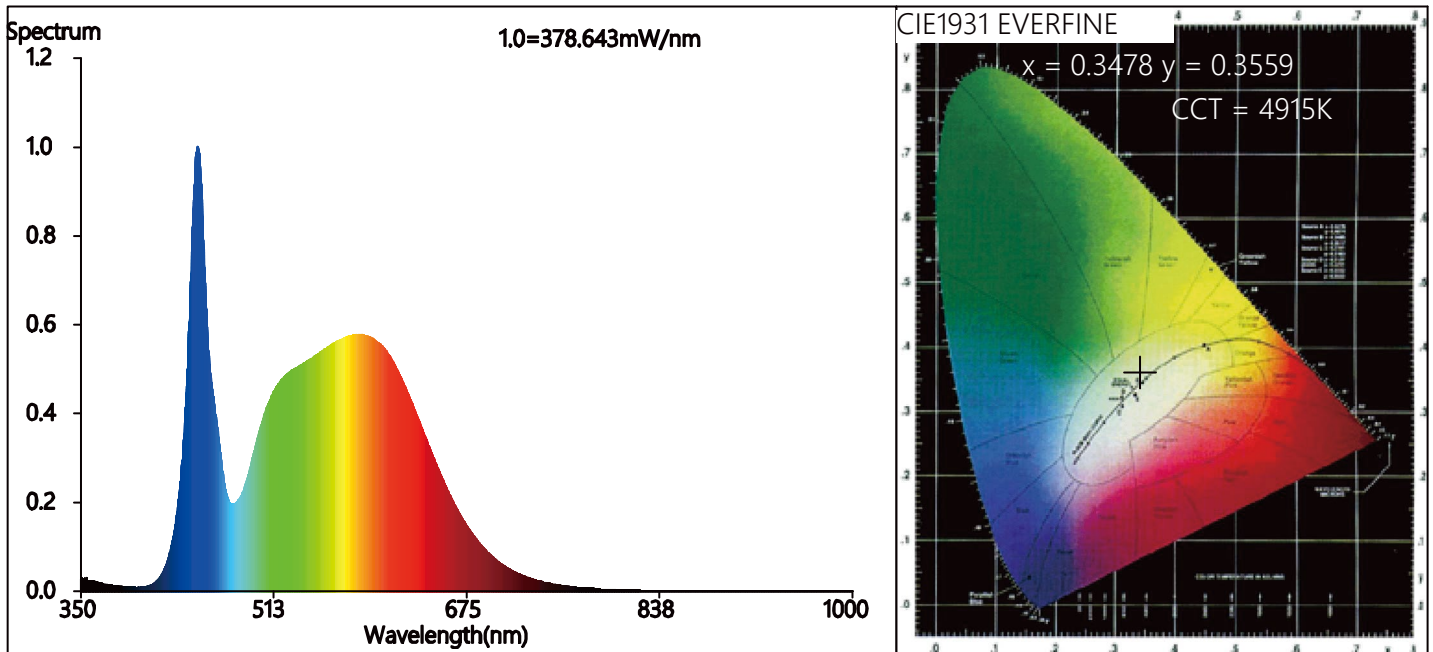


All in one (Round, Square)

STRUCTURE



150W LED SHOEBOX LIGHT



Color Parameters:

Chromaticity Coordinate: $x=0.3478$ $y=0.3559$ $u'=0.2116$ $v'=0.4872$
 CCT=4915K(Duv=0.0011) Dominant WL:Ld=572.7nm WL:Lc =--nm Purity=11.1%
 Ratio:R=16.0% G=79.8% B=4.2% Peak WL:Lp=448.4nm FWHM=18.8nm
 Render Index:Ra=83.2 AvgR=76.3 TM30:Rf=83 Rg=97 Lav=554.9nm

Eff(PPF)=1.34125

R1 =82	R2 =87	R3 =91	R4 =84	R5 =82	R6 =82	R7=88	
R8 =69	R9 =12	R10 =70	R11=83	R12=59	R13=83	R14=95	R15=77

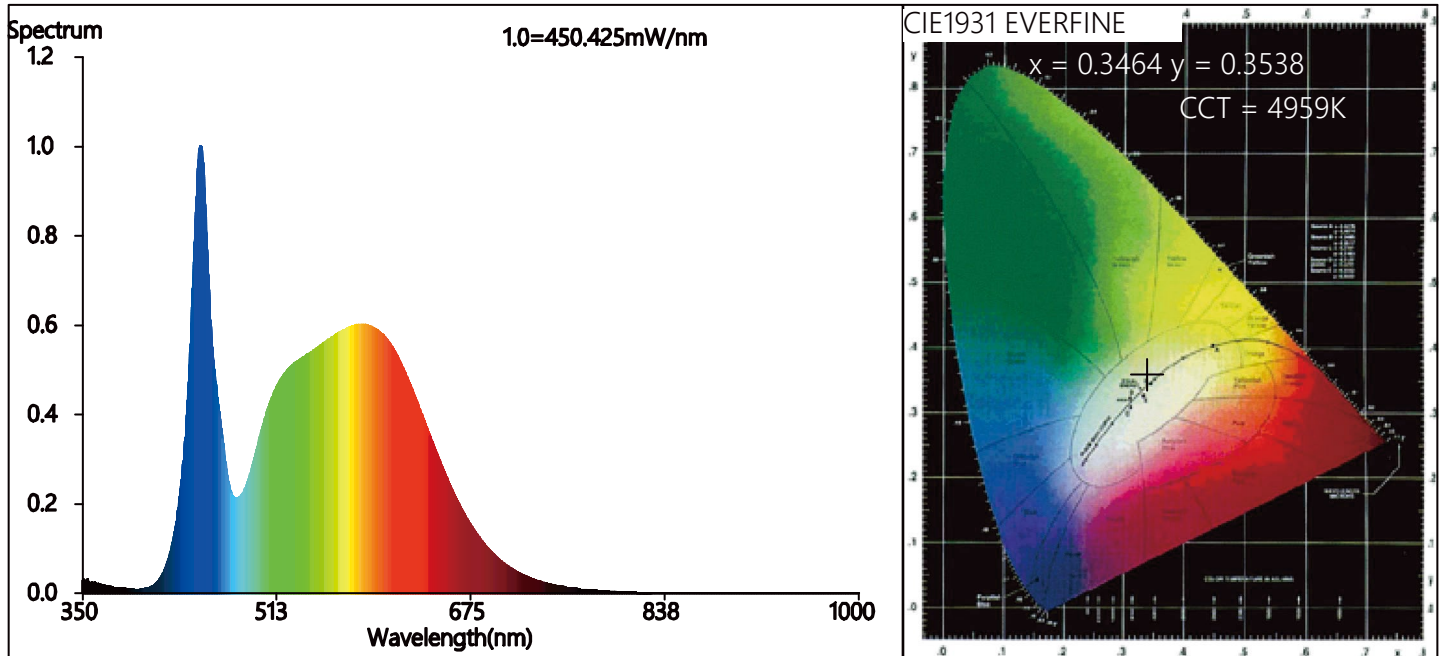
Photo Parameters:

Flux = 19997.54 lm Eff.: 138.2 lm/W Fe= 43.39 W
 Photosynthetic:PPF:194.09umol/s PAR WATT:42335mW(400-700nm)

Electrical parameters:

V= 120.11V I=1.211A P= 144.7W PF = 0.9948
 LEVEL:OUT WHITE:ANSI_5000K

200W LED SHOEBOX LIGHT



Color Parameters:

Chromaticity Coordinate: $x=0.3464$ $y=0.3538$ $u'=0.2115$ $v'=0.4859$
 CCT=4959K (Duv=0.0006) Dominant WL:Ld=572.7nm WL:Lc=---nm Purity=10.1%
 Ratio:R=16.0% G=79.8% B=4.3% Peak WL:Lp=448.4nm FWHM=20.8nm
 Render Index:Ra=83.3 AvgR=76.4 TM30:Rf=83 Rg=97 Lav=554.3nm

Eff(PPF)=1.22843

R1 =82	R2 =87	R3 =91	R4 =84	R5 =82	R6 =82	R7=88		
R8 =70	R9 =13	R10 =70	R11=83	R12=60	R13=83	R14=95	R15=77	

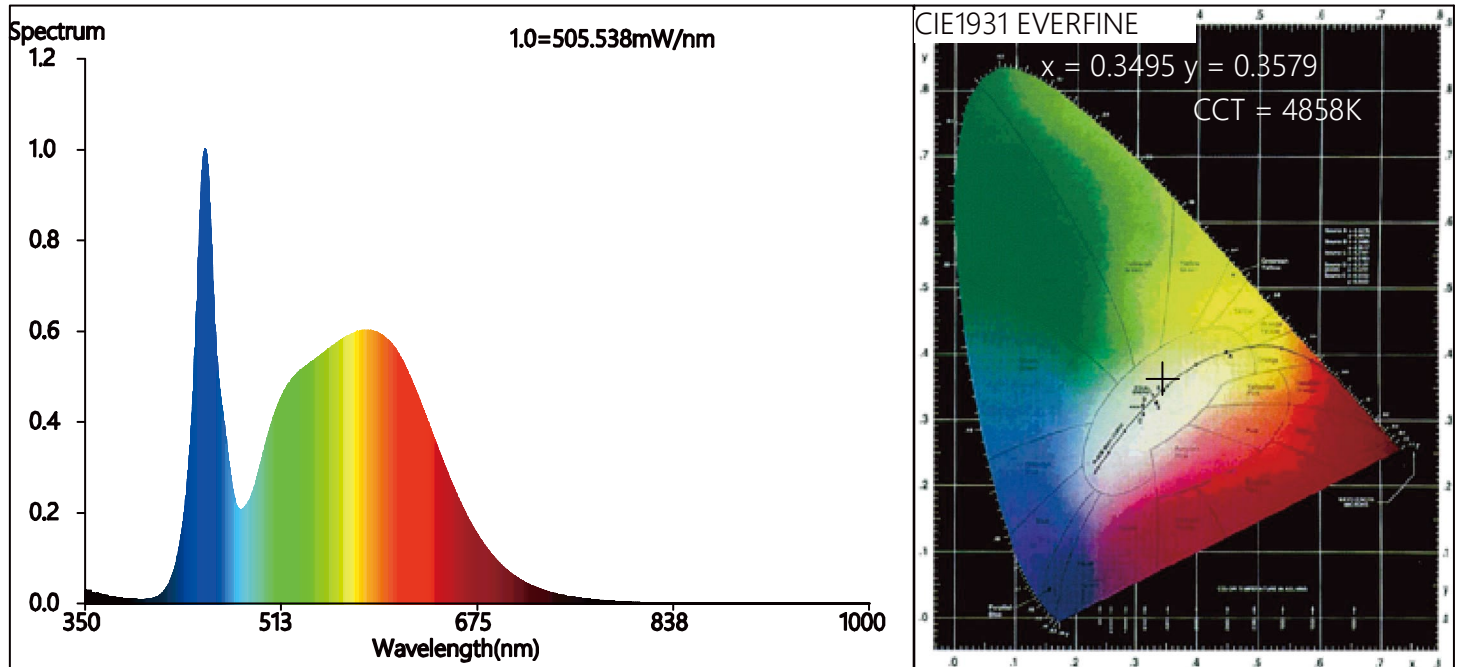
Photo Parameters:

Flux = 27717.56 lm Eff.: 141.2 lm/W Fe= 54.01 W
 Photosynthetic:PPF:241.15umol/s PAR WATT:52663mW(400-700nm)

Electrical parameters:

V= 120.10V I=1.641A P= 196.3W PF = 0.9963
 LEVEL:OUT WHITE:ANSI_5000K

240W LED SHOEBOX LIGHT



Color Parameters:

Chromaticity Coordinate: $x=0.3495$ $y=0.3579$ / $u'=0.2120$ $v'=0.4884$
 CCT=4858K(Duv=0.0014) Dominant WL:Ld=573.1nm WL:Lc = --nm Purity=12.3%
 Ratio:R=16.0% G=79.8% B=4.2% Peak WL:Lp=449.5nm FWHM=19.7nm
 Render Index:Ra=82.6 AvgR=75.4 TM30:Rf=83 Rg=97 Lav=555.8nm

Eff(PPF)=1.22843

R1 =81	R2 =87	R3 =91	R4 =83	R5 =81	R6 =82	R7=88
R8 =68	R9 =10	R10 =69	R11=81	R12=57	R13=82	R14=95

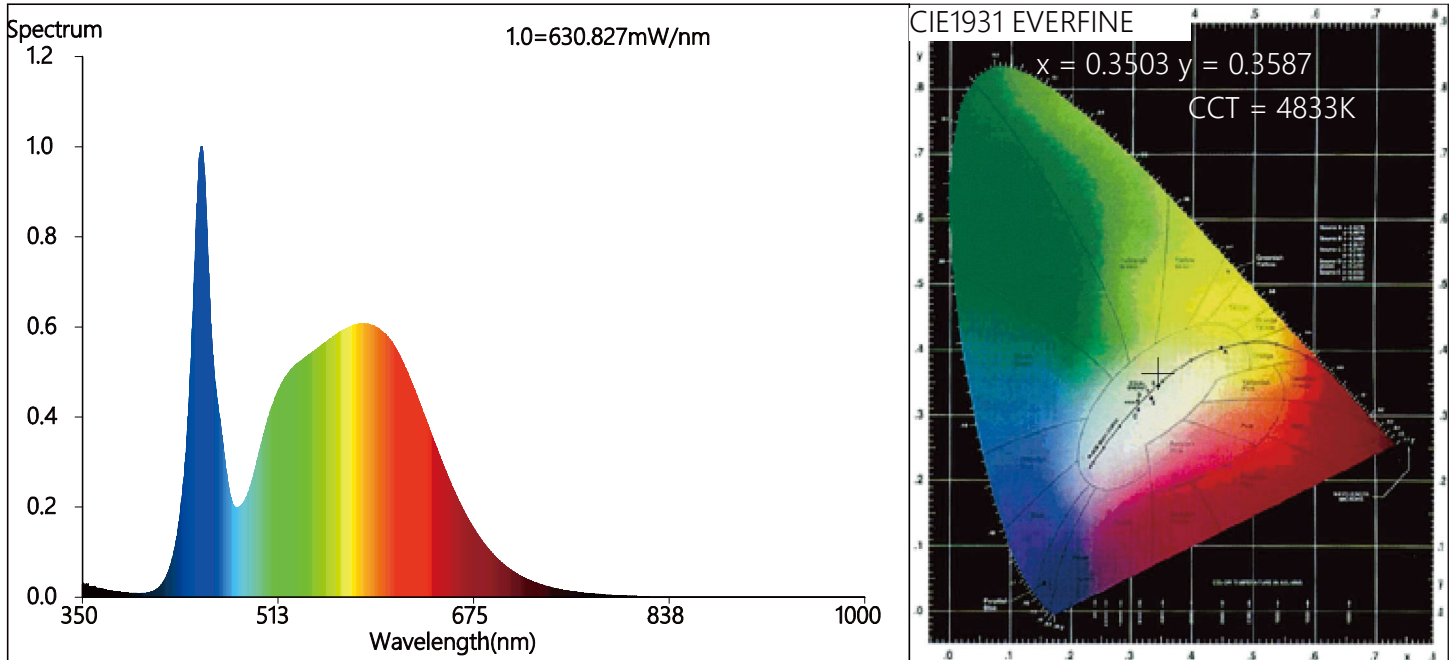
Photo Parameters:

Flux = 32025.8lm Eff.: 138.4 lm/W Fe= 59.59 W
 Photosynthetic:PPF:266.83umol/s PAR WATT:58125mW(400-700nm)

Electrical parameters:

V= 120.07V I=1.942A P= 231.4W PF = 0.9925
 LEVEL:OUT WHITE:ANSI_5000K

320W LED SHOEBOX LIGHT



Color Parameters:

Chromaticity Coordinate: $x=0.3503$ $y=0.3587$ / $u'=0.2122$ $v'=0.4889$
 CCT=4833K(Duv=0.0015) Dominant WL:Ld=573.2nm WL:Lc = --nm Purity=12.7%
 Ratio:R= 16.0% G=79.8% B=4.1% Peak WL:Lp=449.1nm FWHM=19.4nm
 Render Index:Ra=82.3 AvgR=75.1 TM30:Rf=83 Rg=96 Lav=556.0nm

Eff(PPF)=1.08685

R1 =81	R2 =87	R3 =91	R4 =83	R5 =81	R6 =81	R7=88		
R8 =68	R9 =9	R10 =68	R11=81	R12=58	R13=82	R14=95	R15=75	

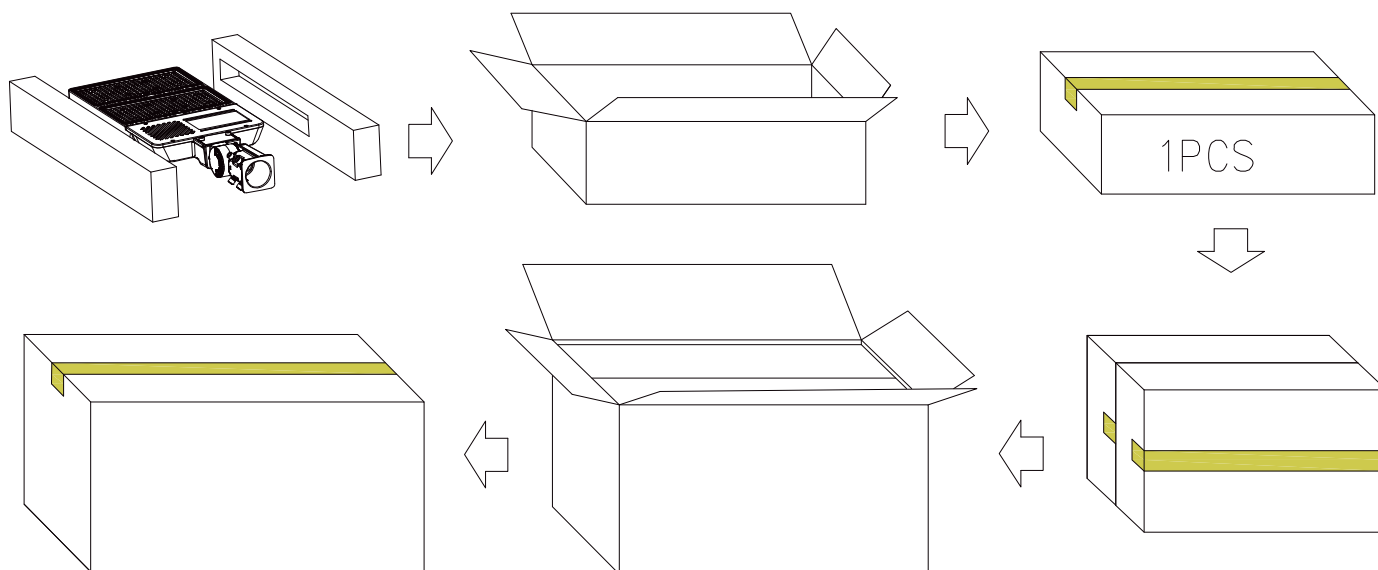
Photo Parameters:

Flux = 43248.9lm Eff.: 140.1 lm/W Fe= 74.92 W
 Photosynthetic:PPF:335.5umol/s PAR WATT:73074mW(400-700nm)

Electrical parameters:

V= 119.97V I=2.587A P= 308.7W PF = 0.9945
 LEVEL:OUT WHITE:ANSI_5000K

PACKAGE



Power	Unit	N.W.	Box Size	G.W.
150W 200W	1PCS	4.95Kg	620x350x145mm	5.75Kg
	3PCS	17.8Kg	640x480x380mm	18.5Kg

Power	Unit	N.W.	Box Size	G.W.
240W 320W	1PCS	6.45Kg	790x350x145mm	7.45Kg
	2PCS	15.0Kg	810x330x380mm	15.5Kg